

### TTG-6C33CPP Push-Pull Output Transformer

Toroidal Push-Pull output transformer for tubes 2x6C33C (6S33S) introduces benefits of toroidal cores to tube output. Through the use of innovative, internationally patented winding technology, we have achieved exceptional electrical parameters, such as flat frequency bandwidth in acoustic range, very low THD distortion and high quality factor.

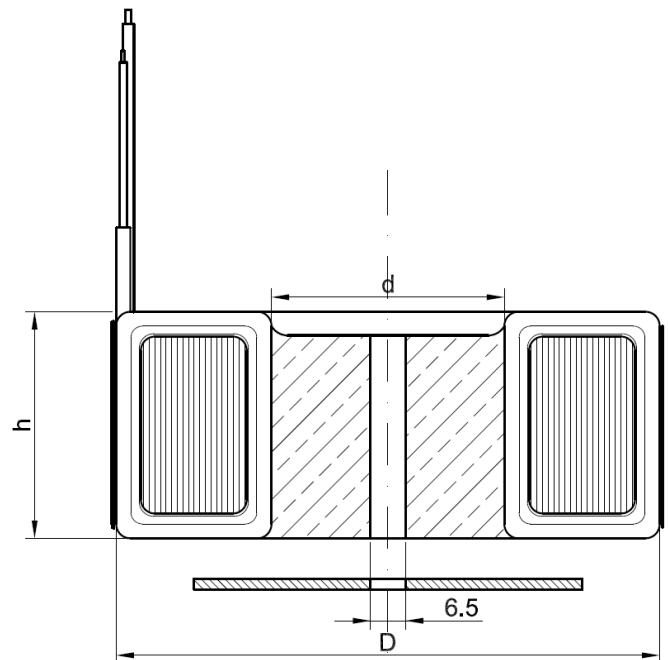
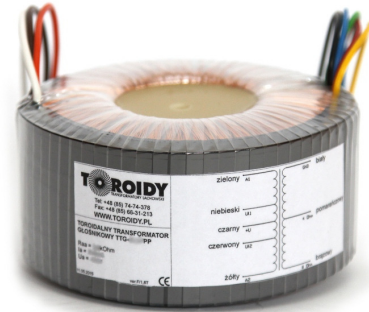
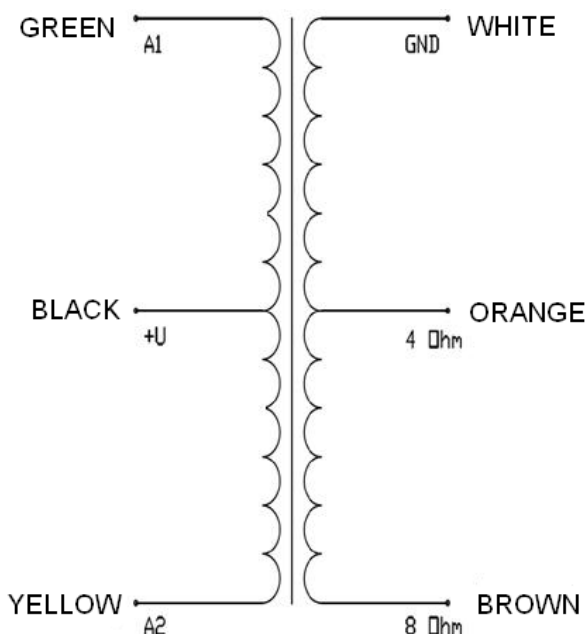
Transformer is also available in stainless steel box potted EXPO version.

#### Technical Data:

Nominal power:	80W
Nominal anode current:	500mA
Frequency bandwidth (-3dB):	10Hz – 96kHz
Secondary inductance:	4 i 8 Ω
Primary Impedance:	1,2 kΩ
Turns Ratio (Np:Ns):	17,32:1 (4Ω) / 12,25:1 (8Ω)
Primary Inductance Lp:	315H
Primary Leakage Inductance Lsp:	5,6mH
Total Primary DC Resistance:	64 Ω

Core type: Toroidal  
Intended for: Push-Pull

#### Wiring diagram:



#### DIMENSIONS:

Outer diameter (D):	115mm
Inner diameter (d):	40mm
Height (h):	65mm
Weight:	2,8 kg
Leads length:	250mm