

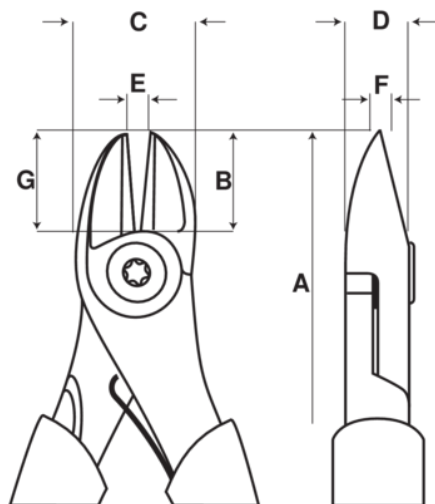


**2101G\_D**  
**ERGO™ Side Cutting Pliers with**  
**Dual-Component Handle and**  
**Phosphate Finish**



**PRODUCT DETAILS**





- Two-component ERGO™ handles: thermoplastic surface on tough polypropylene provides superior grip
- Side cutting pliers developed according to the scientific ERGO™ process
- Suitable for cutting Cu, Fe+ and piano wire
- Distance from joint to centre of cutting edges is reduced for greater leverage and increased cutting capacity
- Version of the standard 2101G without the on/off spring function
- High-performance alloy steel
- Phosphate finish, anti-corrosion treated
- Without the return spring



**Follow the Fish!**



## PRODUCT ATTRIBUTES

Product	<b>A</b>	<b>B</b>	<b>C</b>	<b>D</b>	<b>E</b>	 Cu	 Fe+	 Piano	 g
<b>2101G-125IPD</b>	125 mm	14,2 mm	17 mm	8 mm	1 mm	3.5 mm	1.8 mm	1.6 mm	90 g
<b>2101G-140IPD</b>	140 mm	15,9 mm	19 mm	8 mm	1,5 mm	3.7 mm	2.0 mm	1.8 mm	120 g
<b>2101G-160IPD</b>	160 mm	17,5 mm	21 mm	9 mm	2 mm	3.8 mm	2.5 mm	2.0 mm	170 g
<b>2101G-180IPD</b>	180 mm	19,4 mm	23 mm	10 mm	2 mm	4.0 mm	2.7 mm	2.3 mm	230 g

Follow the Fish!

