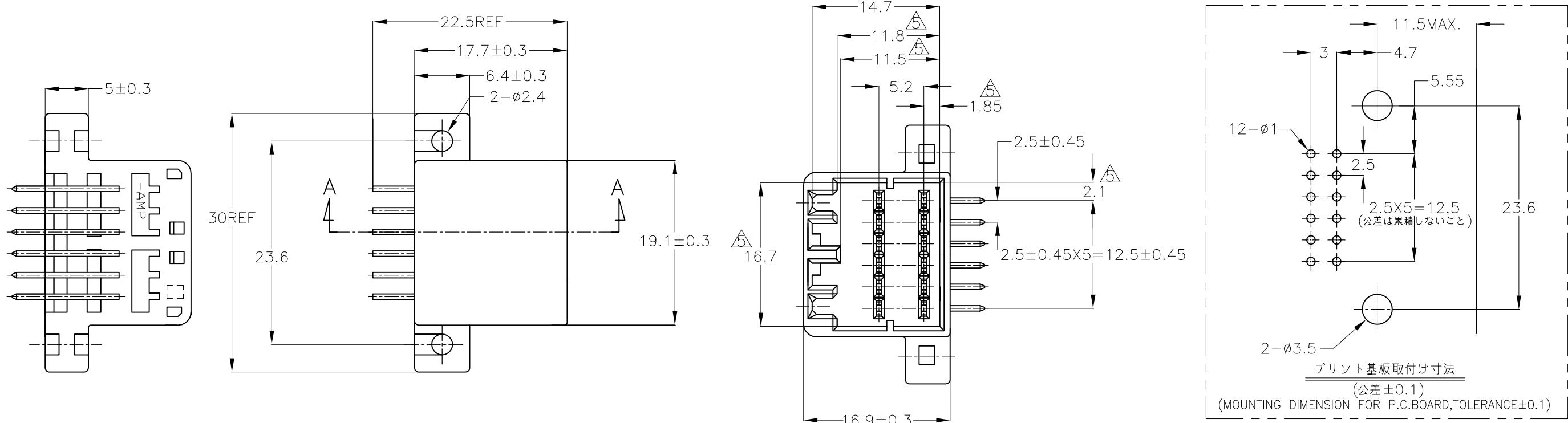
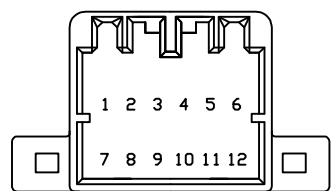
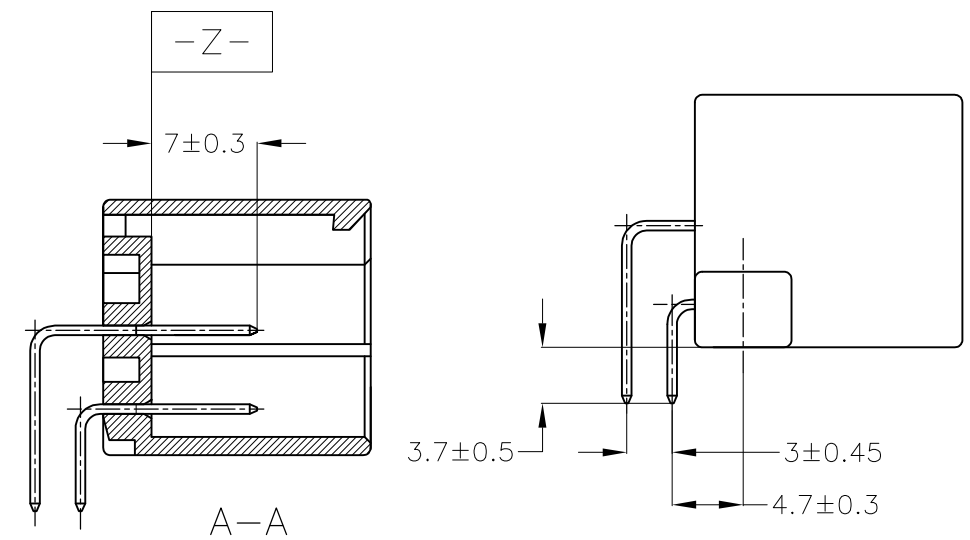


THIS DRAWING IS UNPUBLISHED. RELEASED FOR PUBLICATION
 © COPYRIGHT 2004 BY TYCO ELECTRONICS CORPORATION. ALL RIGHTS RESERVED.

LOC	DIST	REVISIONS					
J	—	P	LTR	DESCRIPTION	DATE	DWN	APVD
		E3		OBSOLETE 3--2 ECR-07-023693	31OCT07	AY	HY



- 1 APPLICABLE P.C.B. BOARD THICKNESS; 1.6mm
 - 2 RECOMMENDED MOUNTING SCREW 3mmDIA 6mmLENGTH(MIN) TAPPING SCREW SPECIFIED IN JIS B1115,B1122 (TIGHTENING TORQUE;0.392N·m MAX)
 - 3 THE MATING PLUG HSG PART NUMBER;175965
 - 4 APPLICABLE PRODUCT SPEC NO.;108-5281
- △ TO BE MEASURED WITHIN 2mm FROM -Z-
 △ CIRCUIT NUMBER.
- 1 適用プリント基板厚:1.6mm
 - 2 推奨取付ネジ: JIS B1115, B1122 タッピングネジ、ナベ2種呼び径3、長さ6mm以上(締付トルク: 0.392N·m以下)
 - 3 嵌合相手ハウジング: 175965
 - 4 適用製品規格番号: 108-5281
- △ -Z- より2mmの範囲で測定。
 △ 回路番号: 下図参照のこと。



OBSOLETE	SELECTIVE-TIN	PRE-TIN		BLACK	3-175974-2
	PRE-TIN X 9		1, 2, 8	GREEN	2-175974-4
	TIN-LEAD	SELECTIVE GOLD X 3		BLACK	2-175974-2
	PRE-TIN X 9		1, 2, 8	BLACK	1-175974-2
	TIN-LEAD	SELECTIVE GOLD X 3		BLACK	175974-3
	PRE-TIN		1~12	BLACK	175974-2
	SELECTIVE-TIN (MATTE)	SELECTIVE-TIN			
	PRE-TIN				
	SOLDERING SIDE 半田付け部	CONTACT SIDE 接触部側		GOLD PLATED CIRCUIT NO 金めっき回路番号	COLOR 色
	CONTACT FINISH コンタクト仕上				PART NUMBER 製品型番

TOLERANCE UNLESS OTHERWISE SPECIFIED:
 一般公差

0 < * ≤ 10	: ±0.2
10 < * ≤ 30	: ±0.25
30 < * ≤ 100	: ±0.3
ANGLE ;	±3°

THIS DRAWING IS A CONTROLLED DOCUMENT.

DIMENSIONS: 単位: 耗 mm	TOLERANCES UNLESS OTHERWISE SPECIFIED: 一般公差	DWN A.YAMAGUCHI 20AUG04	Tyco Electronics Tyco Electronics AMP K.K. Kawasaki, Japan	
		CHK H.YAMAGAMI 20AUG04		
		APVD S.ISOHATA 20AUG04	NAME 名称 12POSITION CAP HOUSING ASSEMBLY(H-TYPE) 040 SERIES MULTILOCK I/O CONNECTOR MK-II	
		PRODUCT SPEC 製品規格 108-5281		
		APPLICATION SPEC 取付適用規格		
MATERIAL 材料 HSG : PBT CONTACT : BRASS	FINISH 仕上 SEE TABLE	WEIGHT -	SIZE A3	CAGE CODE 00779
			DRAWING NO 番号 G-175974	RESTRICTED TO -
		CUSTOMER DRAWING		SCALE 尺度 2:1
				SHEET 1 OF 1
				REV E3