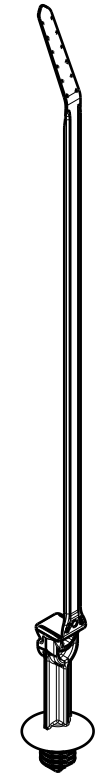
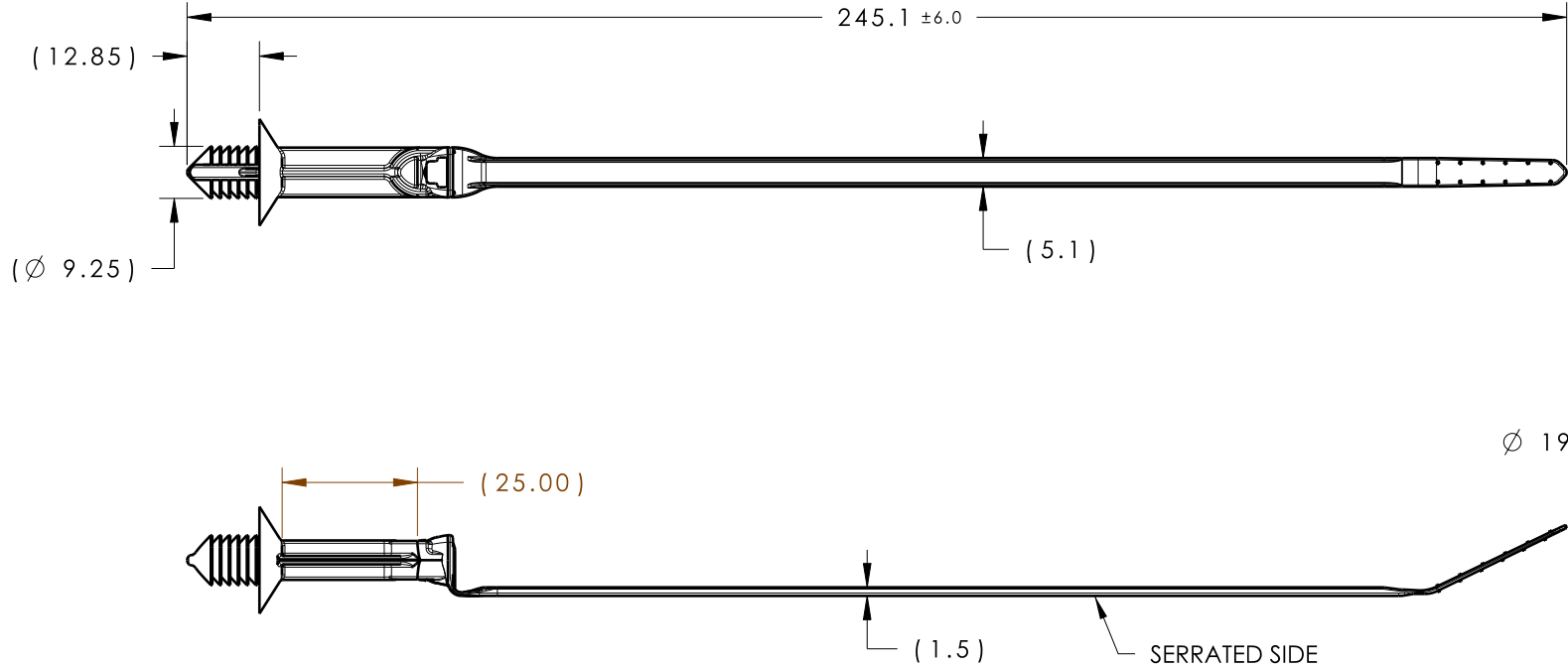


Revision Level			Revision Record	Changed	Date	Approved	Date
Drawing	State	Part					
02.1	Design Release	B	SEE ECN# 012744	CJR	07/22/14	KVH	07/22/14



ISOMETRIC VIEW
SCALE 1:2

REFERENCE:

- PERFORMANCE REQUIREMENTS AT DRY AS MOLDED:
1. FIR TREE PUSH IN FORCE: 45 NEWTONS (10 LBS) MAX IN THE APPLICABLE NOMINAL HOLE SIZE AND A PLATE THICKNESS OF 1.8mm.
 2. FIR TREE PULL OUT FORCE: 110 NEWTONS (25 LBS) MIN IN THE APPLICABLE NOMINAL HOLE SIZE AND A PLATE THICKNESS OF 1.8mm.
 3. SHEET METAL THICKNESS RANGE: 0.60mm - 6.0mm
 4. APPLICABLE HOLE SIZE:
 - A. 8.0mm +/- 0.4
 5. CABLE TIE TENSILE STRENGTH: 220 NEWTONS (50 LBS)
 6. BUNDLE RANGE: 2.0mm TO 50mm

Material PA66HIRHS COLOR: BLACK	Units	millimeters	The copyright of this drawing is reserved by HellermannTyton. It is issued on condition that it is not reproduced, copied or disclosed to a third party, either wholly or in part, without the consent of HellermannTyton.	Drawn	KVH	2/15/13	Article/Type-No T50ROSFT825SO	Scale	3:4	
	Tolerance defined on each dimension	Approved		MHT	4/3/13	Title 25mm STAND OFF CABLE TIE WITH FT8		Project Number	13-0228	
		 North America Email: corp@htamericas.com Web: www.hellermann.tyton.com			Drawing-No		PRODUCTION : Phase	Format	AH	
					13-0228-001-CSU			Sheet	1/1	