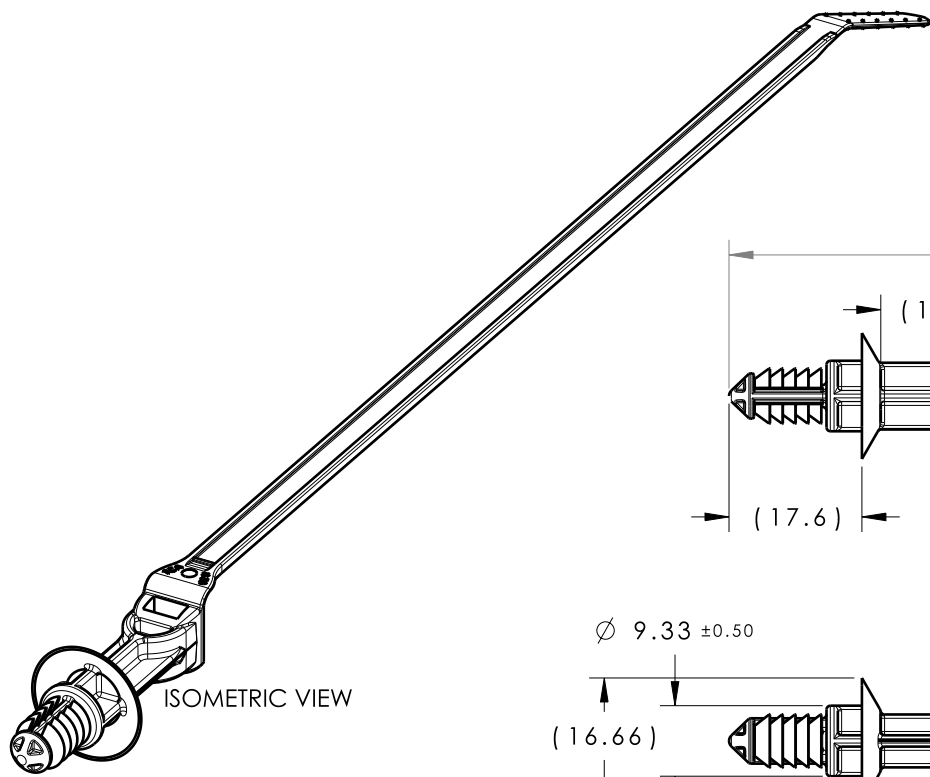
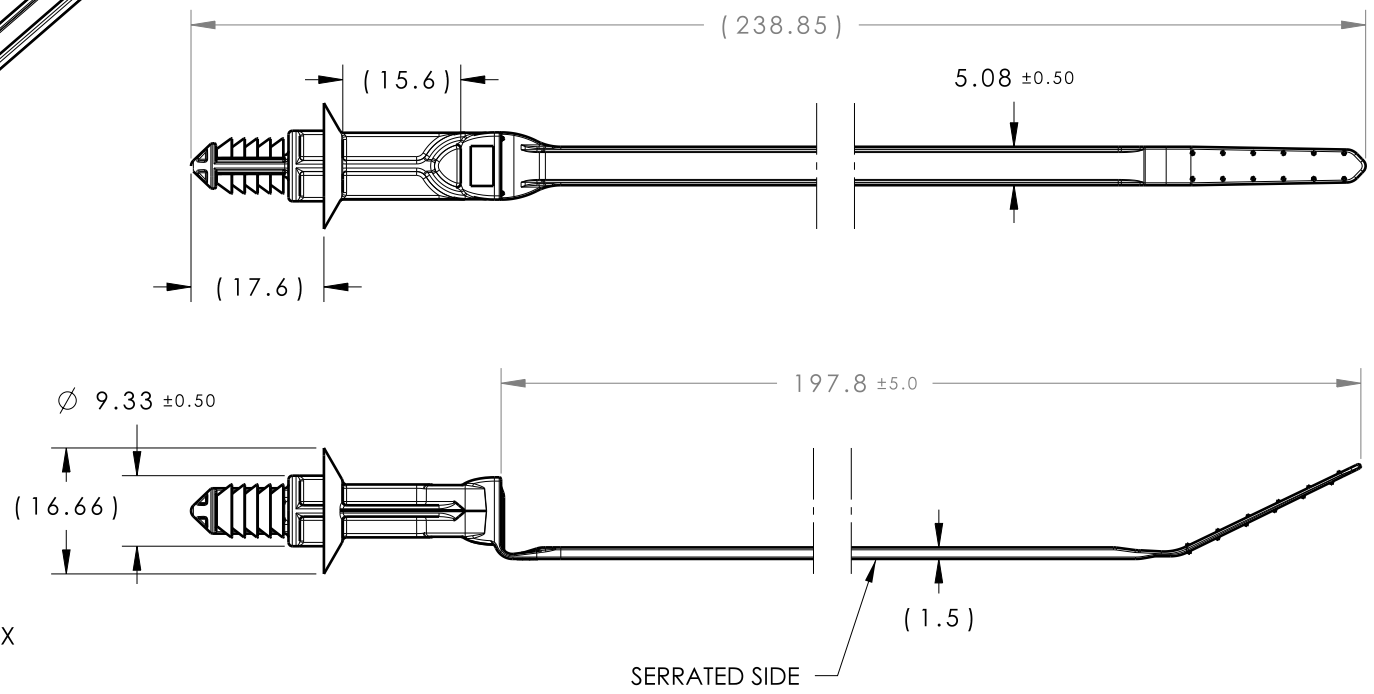


Revision Level			Revision Record	Changed	Date	Approved	Date
Drawing	State	Part					
01.2	Design Release	A	SEE ECN# 012628	CJR	04/04/14	SJA	04/04/14



ISOMETRIC VIEW



- REFERENCE:
 PERFORMANCE REQUIREMENTS AT DRY AS MOLDED:
1. FIR TREE PUSH IN FORCE: 45 NEWTONS (10 LBS) MAX IN THE APPLICABLE NOMINAL HOLE SIZE AND A PLATE THICKNESS OF 1.8mm.
 2. FIR TREE PULL OUT FORCE: 110 NEWTONS (25 LBS) MIN IN THE APPLICABLE NOMINAL HOLE SIZE AND A PLATE THICKNESS OF 1.8mm.
 3. SHEET METAL THICKNESS RANGE: 0.60mm - 5.0mm
 4. APPLICABLE HOLE SIZE:
 A. 6.5mm +/- 0.4
 5. CABLE TIE TENSILE STRENGTH: 225 NEWTONS (50 LBS)
 6. BUNDLE RANGE: 5.0mm TO 50mm ^{01.2}

Material PA66HIRHS COLOR: BLACK	Units millimeters	The copyright of this drawing is reserved by HellermannTyton. It is issued on condition that it is not reproduced, copied or disclosed to a third party, either wholly or in part, without the consent of HellermannTyton.	Drawn CJR 8/30/13	Article/Type-No T50ROSFT612.5SOVC	Scale 1:1		
	Tolerance defined on each dimension		Approved KVH 9/4/13	Title FT6.5 WITH OFFSET CABLE TIE	Project Number 13-0574		
			HellermannTyton			Drawing-No PRODUCTION : Phase	Format AH
			North America Email: corp@htamericas.com Web: www.hellermann.tyton.com			13-0574-001-CSU	Sheet 1/1