

# LED Flexible Tape - NAUTILUS

*The ultra Slimline NAUTILUS range makes it ideally suitable for accent and back lighting, the RGB version is perfect for coloured lighting projects.*



## Product Features

- ★ Custom lengths built to customer specification ready for installation
- ★ Consistent illumination along the entire length with no colour variation.
- ★ UV resistant and flame retardant PVC materials
- ★ High illumination
- ★ Very flexible (3cm minimum bending diameter)
- ★ Easy to use with DIY accessories for joining, terminating, mounting & powering
- ★ Automated production, high reliability & long warranty
- ★ Commercial IP Rated Connectors
- ★ External applications where IP67 is required
- ★ Long Life



## White LED Flexible Tape - NAUTILUS - White

**NEW!**

Part Code	NTS-IP67-5700K-W	NTS-IP67-2700K-W
Lumen Output	900lm	900lm
Input Voltage	24Vdc	24Vdc
Power per metre	12W	12W
Cutable Length	100mm	100mm
LED Qty	60 per mtr	60 per mtr
Beam Angle	150°	150°
IP	IP67	IP67
PCB Fitting Colour	White	White
CCT	5700K	2700K
Width Dimensions	19.3mm	19.3mm



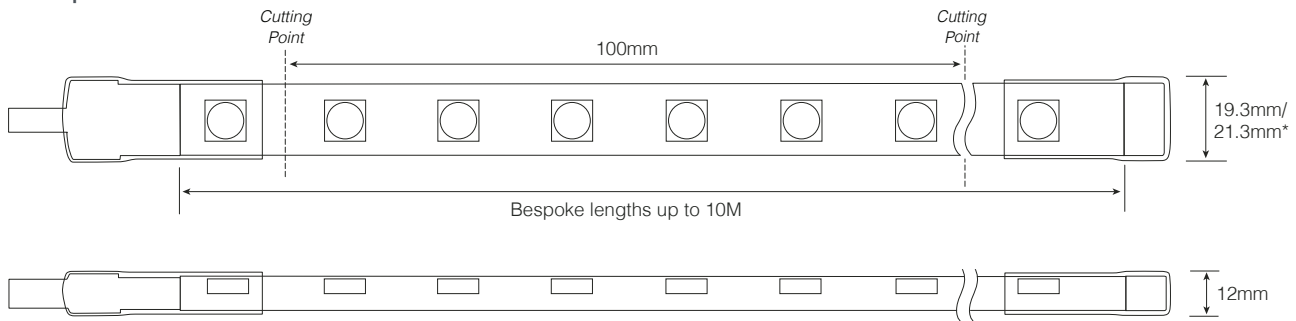
## RGB LED Flexible Tape - NAUTILUS - RGB

**NEW!**

Part Code	NTS-IP67-RGB		
	RGB Red	RGB Green	RGB Blue
Lumen Output	75lm	185lm	40lm
Input Voltage	24Vdc	24Vdc	24Vdc
Power per metre	4W	4W	4W
Cutable Length	100mm	100mm	100mm
LED Qty	60 per mtr	60 per mtr	60 per mtr
Beam Angle	150°	150°	150°
IP	IP67	IP67	IP67
Colour	Red	Green	Blue
PCB Fitting Colour	White	White	White
Wave Length	620 ~ 630nm	520 ~ 530nm	460 ~ 470nm
Width Dimensions	21.3mm*	21.3mm*	21.3mm*

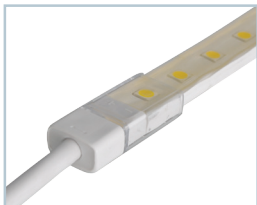


60 LEDs per metre

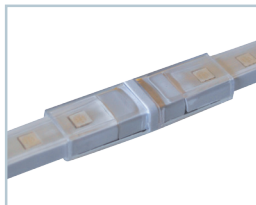


### Innovative connectors

Well designed, high quality connectors are used to enhance your bespoke architectural lighting project.



Input Connection



Middle Connector



End Cap

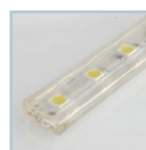


Joining Connector

3300K, 3500K, 4000K, 5000K & 6500K available on request.



White



Clear\*



Black\*

SPECIAL ORDER PRODUCT  
**OEM**

\* Black and Clear finishes are available as a special order.

0118 970 3856

www.powerled.uk.com

