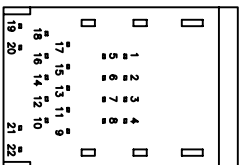
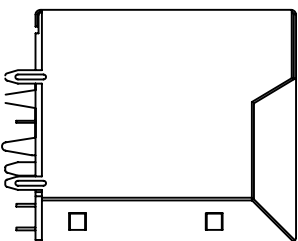
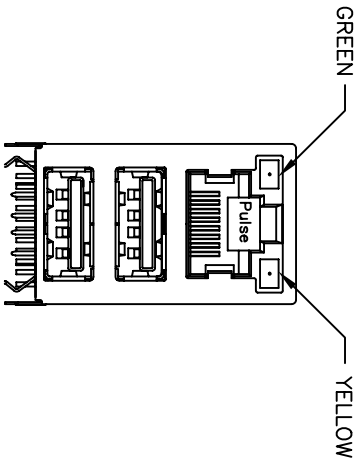
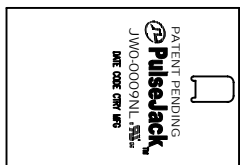


NOTES:

1. ROHS COMPLIANT
2. PLASTIC HOUSING: THERMOPLASTIC MATERIAL WITH FLAMMABILITY RATING UL 94V-0 OR BETTER.
3. CONTACTS PLATING:  
FCC CONTACTS PLATING: 15 MICRONS GOLD PLATING.  
USB CONTACTS PLATING: 30 MICRONS GOLD PLATING.
4. CONTACTS BASE MATERIAL: PHOSPHOR BRONZE
5. UNDER PLATING: 50u INCHES NICKEL
6. SOLDER TAIL PLATING : 150 UINCHES 100% TIN, MATTE FINISH.
7. METAL SHIELD: NICKEL PLATING ON COPPER ALLOY.
8. JACK CAVITY CONFORMS TO FCC PART 68 SUBPART.
9. PCB PLATING: HASL
10. STORAGE TEMPERATURE: -20°C TO +125°C
11. COMPLIANCE TO J-STD:
  - A. J-STD-002: SOLDERABILITY AT 245°C DIP AND LOOK TEST
  - B. J-STD-020: LEVEL 1, NO MOISTURE SENSITIVE
  - C. J-STD-075: W2, 270°C MAXIMUM THROUGH WAVE SOLDER



BOTTOM VIEW

FINAL OUTLINE

© Copyright, 2014, Pulse Electronics Corp. All rights reserved. Pulse confidential & proprietary. (05/13/14)

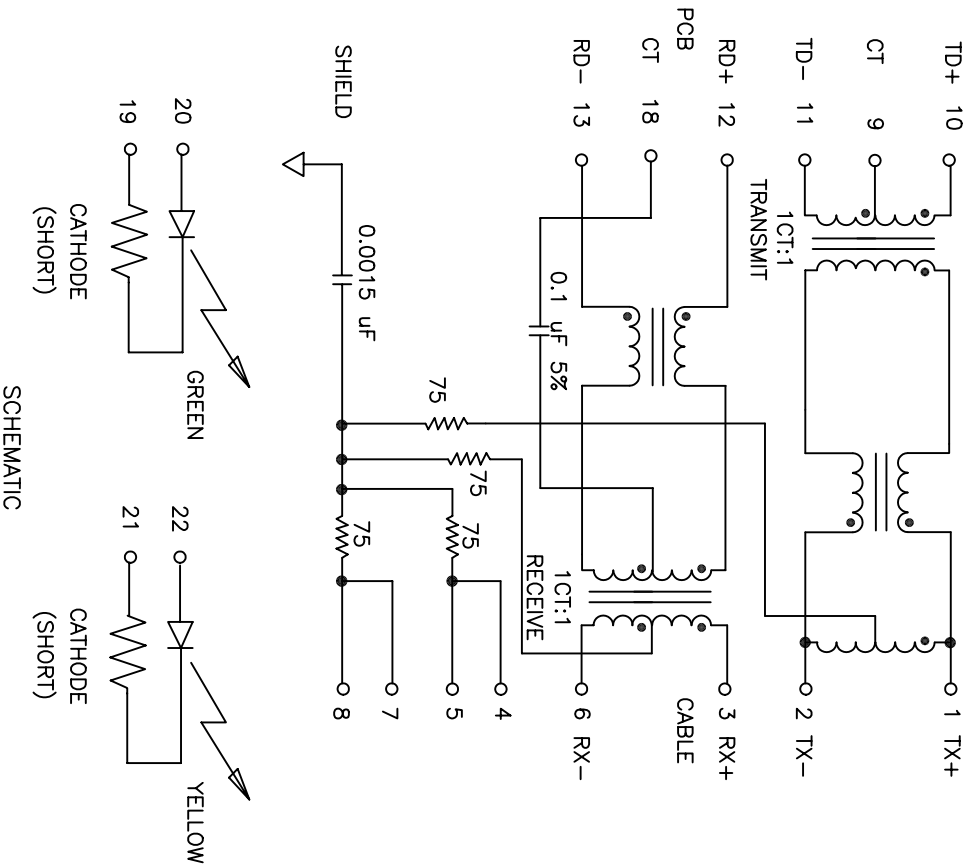
PRODUCT DESCRIPTION	TLA DRAWING	PS DRAWING	SHEET	PART NO.	DATASHEET REV.
CONN,RJ45/USB,USB,100D,1:1,TY	JW0-0009NL-11	PS-2093.004-B	1 OF 4	JW0-0009NL	A

ELECTRICAL CHARACTERISTICS AT +25°C UNLESS OTHERWISE SPECIFIED  
 MEETS IEEE 802.3 SPECIFICATION

PARAMETER	SPECIFICATIONS	
OPERATING TEMP	0°C - 70°C	
TURNS RATIO	1 : 1 ±2%	
POLARITY	PER SCHEMATIC	
INSERTION LOSS	100 KHz	1-125 MHz
RETURN LOSS (Z <sub>out</sub> = 100 OHM ±15%)	-1.2 DB MAX	-0.2-0.002*f <sup>1.4</sup> DB MAX
	.1-30 MHz	30-60 MHz
INDUCTANCE (OCL) (MEDIA SIDE, 0°C-70°C)	-16 DB MIN	-10+20*LOG <sub>10</sub> (f/60 MHz) DB MIN
	350 uH MIN	(MEASURED AT 100 KHz, 100 mV(RMS) AND WITH 8 mA DC BIAS)
CROSSTALK, ADJACENT CHANNELS	1 MHz	10-100 MHz
	-50 DB MIN	-55+22*LOG <sub>10</sub> (f/10) DB MIN
COMMON MODE REJECTION RATIO (TYP.)	2 MHz	30-200 MHz
INPUT - OUTPUT ISOLATION	-50 DB MIN	-15+20*LOG <sub>10</sub> (f/200) DB MIN
		1500 VRMS MIN @ 60 SECONDS

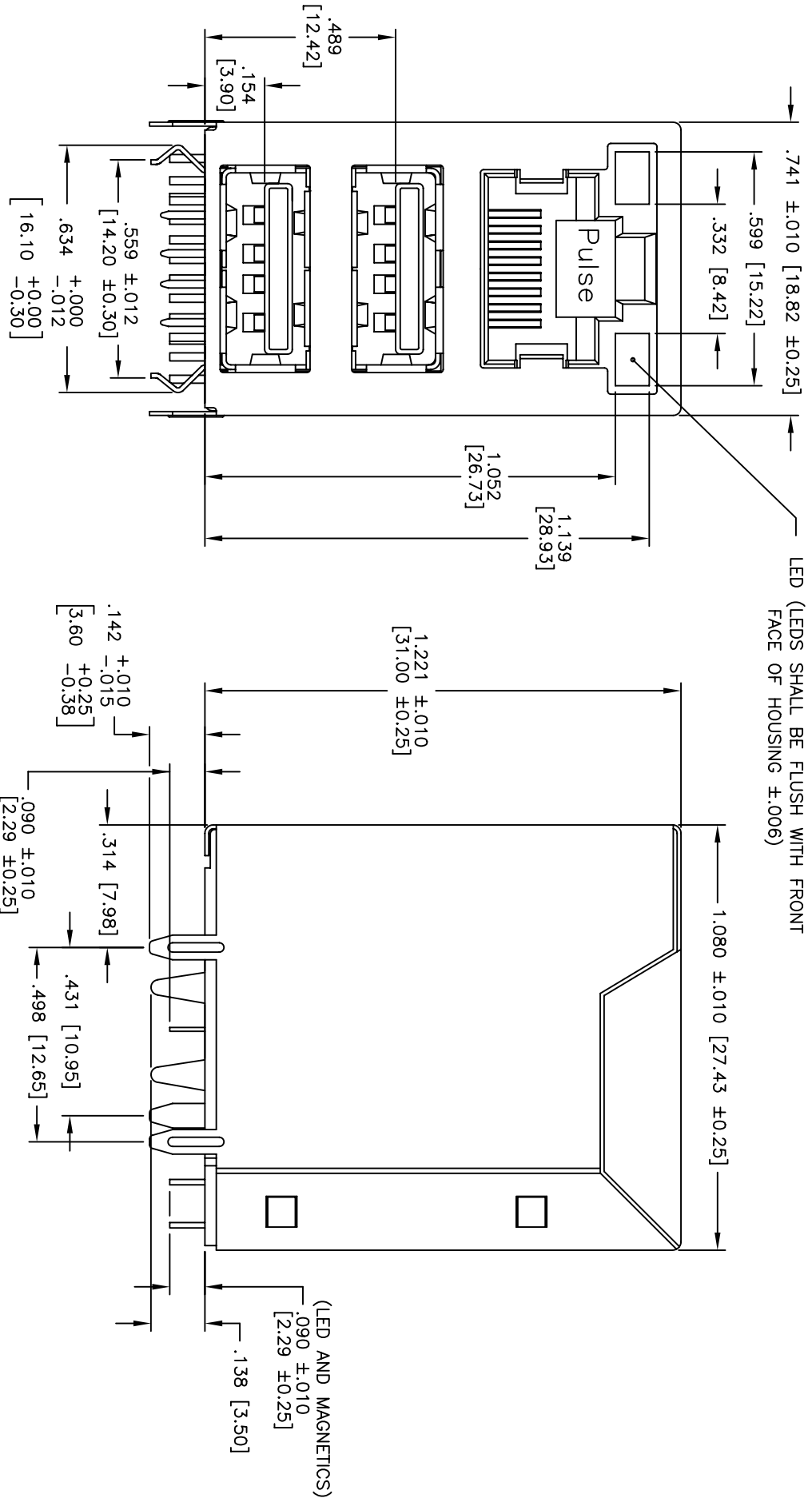
NOTE: f IS FREQUENCY IN MHZ.

EMITTED COLOR	GREEN	YELLOW
WAVELENGTH (nm)	568 nm	585 nm
BRIGHTNESS (mcd)	12 TYP. AT 20 mA	10 TYP. AT 20 mA
VIEWING ANGLE	100°	100°
POWER DISSIPATION (Pd)	68 mW MAX	68 mW MAX
DC FORWARD CURRENT	150 mA MAX	150 mA MAX
REVERSE VOLTAGE (Vr)	5.0 V MAX	5.0 V MAX
FORWARD VOLTAGE (Vf)	2.2 TO 2.7 VOLTS	2.1 TO 2.7 VOLTS



© Copyright, 2014, Pulse Electronics Corp. All rights reserved. Pulse confidential & proprietary. (05/13/14)

PRODUCT DESCRIPTION	TLA DRAWING	PS DRAWING	SHEET	PART NO.	DATASHEET REV.
CONN,RJ45/USB,USB,100D,1:1,TY	JW0-0009NL-11	PS-2093.004-B	2 OF 4	JW0-0009NL	A

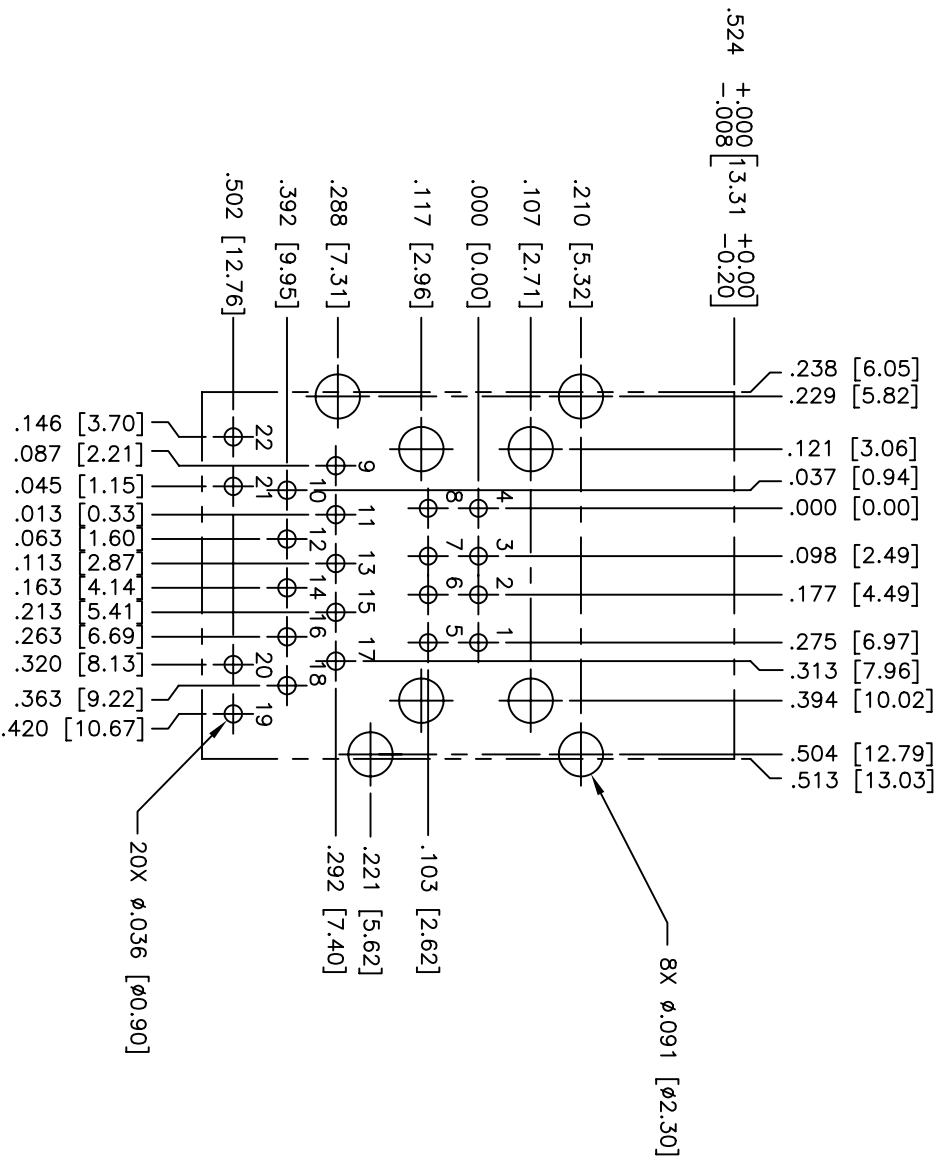


DIMENSIONS ARE IN INCHES [MILLIMETERS] WITH THE FOLLOWING TOLERANCES: [MILLIMETERS] ARE FOR REFERENCE ONLY.  
.XX = ±.010 [±0.25]

© Copyright, 2014, Pulse Electronics Corp. All rights reserved. Pulse confidential & proprietary. (05/13/14)

PRODUCT DESCRIPTION	TLA DRAWING	PS DRAWING	SHEET	PART NO.	DATASHEET REV.
CONN,RJ45/USB,USB,100D,1:1,TY	JW0-0009NL-11	PS-2093.004-B	3 OF 4	JW0-0009NL	A

E-MAIL: PRODINFONETWORK@PULSEELECTRONICS.COM(US), ASIA@PULSEELECTRONICS.COM(Asia) PHONE: USA:858 674 8100, GERMANY:49 7032 78060, SINGAPORE:65 6287 8998, SHANGHAI:86 21 62787060, TAIWAN:886 3 4356768



SUGGESTED FOOTPRINT (SHOWN FROM COMPONENT SIDE)

DIMENSIONS ARE IN INCHES [MILLIMETERS] WITH THE FOLLOWING TOLERANCES: [MILLIMETERS] ARE FOR REFERENCE ONLY.  
 .XX = ±.003 [±0.08]

© Copyright, 2014, Pulse Electronics Corp. All rights reserved. Pulse confidential & proprietary. (05/13/14)

PRODUCT DESCRIPTION	TLA DRAWING	PS DRAWING	SHEET	PART NO.	DATASHEET REV.
CONN,RJ45/USB,USB,100D,1:1,TY	JW0-0009NL-11	PS-2093.004-B	4 OF 4	JW0-0009NL	A