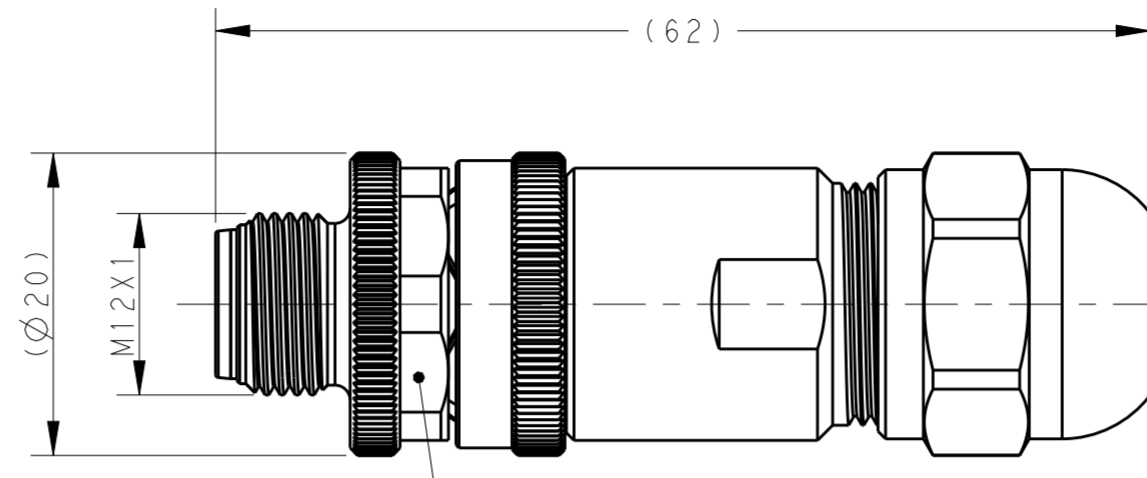
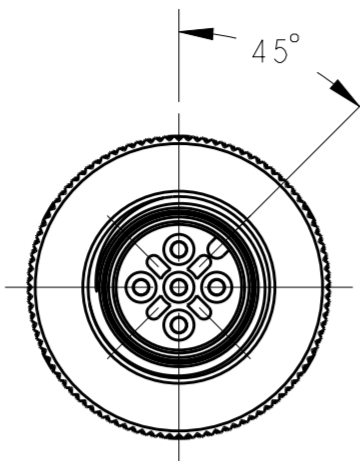
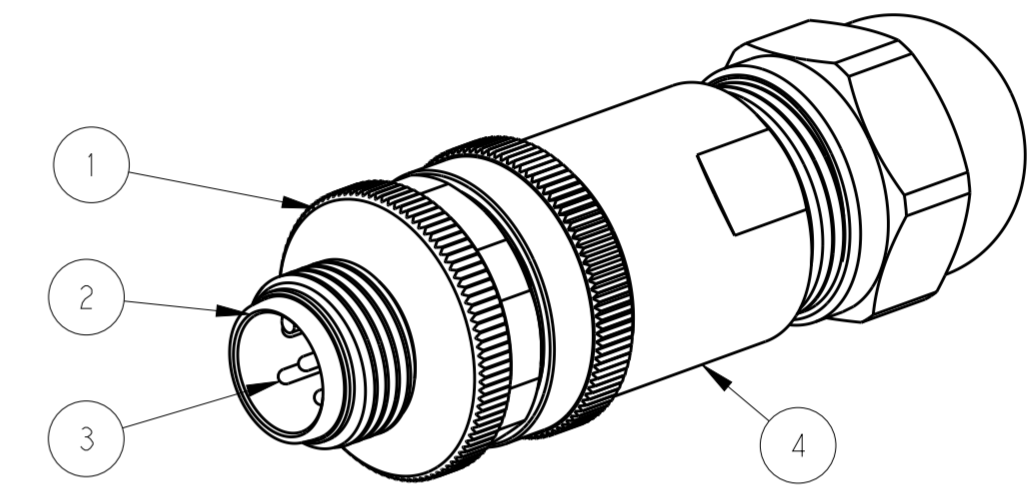


THIS DRAWING IS UNPUBLISHED. RELEASED FOR PUBLICATION 20  
 © COPYRIGHT 20 BY - ALL RIGHTS RESERVED.

REVISIONS				
P	LTR	DESCRIPTION	DATE	APVD
A		INITIAL RELEASE	25SEP2015	N.P X.X
A1		ECR-16-013861	16OCT2016	N.P X.X
A2		ECR-16-016026	14NOV2016	N.P X.X
A3		ECR-19-006141	02JUL2020	G.W C.W



SW18  
RECOMMENDED TORQUE 0.6 Nm



TECHNICAL DATA	T411101X02X-000	T411101X03X-000	T411101X04X-000	T411101X05X-000	T411101X08X-000
RATED VOLTAGE	250V	250V	250V	60V	30V
RATED CURRENT	4A	4A	4A	4A	2A
POLLUTION DEGREE	3	3	3	3	3
OVERVOLTAGE CATEGORY	II	II	II	II	II
MATERIAL GROUP	II	II	II	II	II
CONTACT RESISTANCE	≤8mΩ	≤8mΩ	≤8mΩ	≤8mΩ	≤8mΩ
INSULATION RESISTANCE	>100MΩ	>100MΩ	>100MΩ	>100MΩ	>100MΩ
DEGREE OF PROTECTION	IP67	IP67	IP67	IP67	IP67
OPERATION TEMPERATURE	-40~85°C	-40~85°C	-40~85°C	-40~85°C	-40~85°C

- NOTE:
- MATERIAL:  
 ITEM NO.1: NUT -BRASS  
 ITEM NO.2: HOUSING -PA  
 ITEM NO.3: CONTACT -BRASS  
 ITEM NO.4: BODY: -BRASS
  - CONTACT FINISH:  
 GOLD OVER NICKEL OR SILVER OVER NICKEL
  - CABLE WIRES:  
 18AWG/0.75mm<sup>2</sup> Max. FOR 2-5 PINS  
 20AWG/0.50mm<sup>2</sup> Max. FOR 8 PINS
  - ALL DIMENSIONS ARE FOR NOMINAL REFERENCE ONLY UNLESS OTHERWISE STATED
  - PACKAGING: 1PIECE IN A BAG
  - PN INFORMATION

PIN ARRANGEMENT A-CODE		
T411101X02X-000	T411101X03X-000	T411101X04X-000

T4111012081-000	RPC-M12-MS-8CON-PG9-SHU
T4111011081-000	RPC-M12-MS-8CON-PG7-SHU
T4111012082-000	RPC-M12-MS-8CON-PG9-SH
T4111011082-000	RPC-M12-MS-8CON-PG7-SH
T4111012051-000	RPC-M12-MS-5CON-PG9-SHU
T4111011051-000	RPC-M12-MS-5CON-PG7-SHU
T4111012052-000	RPC-M12-MS-5CON-PG9-SH
T4111011052-000	RPC-M12-MS-5CON-PG7-SH
T4111012041-000	RPC-M12-MS-4CON-PG9-SHU
T4111011041-000	RPC-M12-MS-4CON-PG7-SHU
T4111012042-000	RPC-M12-MS-4CON-PG9-SH
T4111011042-000	RPC-M12-MS-4CON-PG7-SH
T4111012031-000	RPC-M12-MS-3CON-PG9-SHU
T4111011031-000	RPC-M12-MS-3CON-PG7-SHU
T4111012032-000	RPC-M12-MS-3CON-PG9-SH
T4111011032-000	RPC-M12-MS-3CON-PG7-SH
T4111012021-000	RPC-M12-MS-2CON-PG9-SHU
T4111011021-000	RPC-M12-MS-2CON-PG7-SHU
T4111012022-000	RPC-M12-MS-2CON-PG9-SH
T4111011022-000	RPC-M12-MS-2CON-PG7-SH
TE PN	TYPE

T411101XXXX-000

- CONTACT FINISH:  
 1: GOLD OVER NICKEL  
 2: SILVER OVER NICKEL
- NUMBERS OF PINS:  
 02: 2 PINS  
 03: 3 PINS  
 04: 4 PINS  
 05: 5 PINS  
 08: 8 PINS
- CABLE OUTLET:  
 1: PG7(CABLE FEED: 4-6mm)  
 2: PG9(CABLE FEED: 6-8mm)

THIS DRAWING IS A CONTROLLED DOCUMENT.		DWN Nick Pan 24AUG2015	TE Connectivity													
DIMENSIONS: mm		CHK Kobby Zhao 24AUG2015														
TOLERANCES UNLESS OTHERWISE SPECIFIED:		APVD Xiang Xu 24AUG2015														
<table border="1"> <tr><td>0 PLC</td><td>±</td></tr> <tr><td>1 PLC</td><td>±0.25</td></tr> <tr><td>2 PLC</td><td>±0.15</td></tr> <tr><td>3 PLC</td><td>±</td></tr> <tr><td>4 PLC</td><td>±</td></tr> <tr><td>ANGLES</td><td>±</td></tr> <tr><td>FINISH</td><td>±</td></tr> </table>		0 PLC		±	1 PLC	±0.25	2 PLC	±0.15	3 PLC	±	4 PLC	±	ANGLES	±	FINISH	±
0 PLC	±															
1 PLC	±0.25															
2 PLC	±0.15															
3 PLC	±															
4 PLC	±															
ANGLES	±															
FINISH	±															
MATERIAL -		SIZE A2	CAGE CODE - DRAWING NO. C-T411101XXXX000 RESTRICTED TO - SCALE 2:1 SHEET 1 OF 1 REV A3													