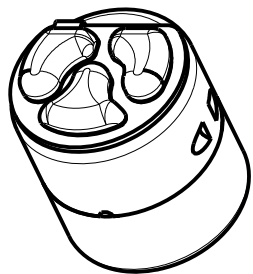
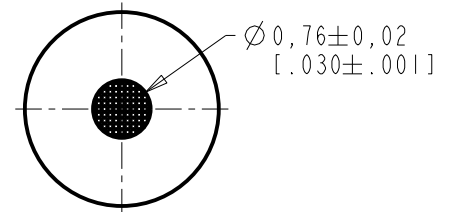
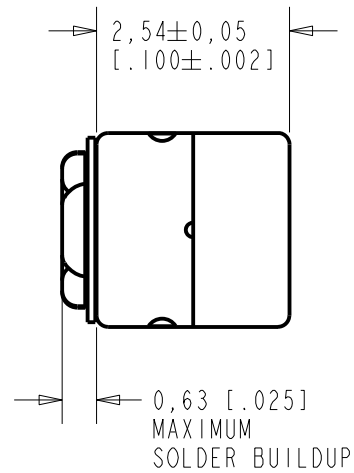
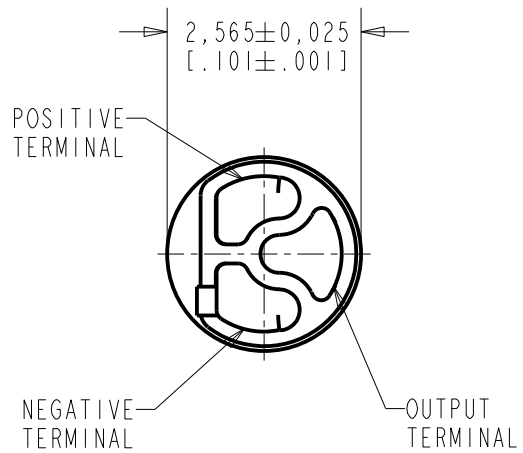


FC-23329-C05

SHT 1.1



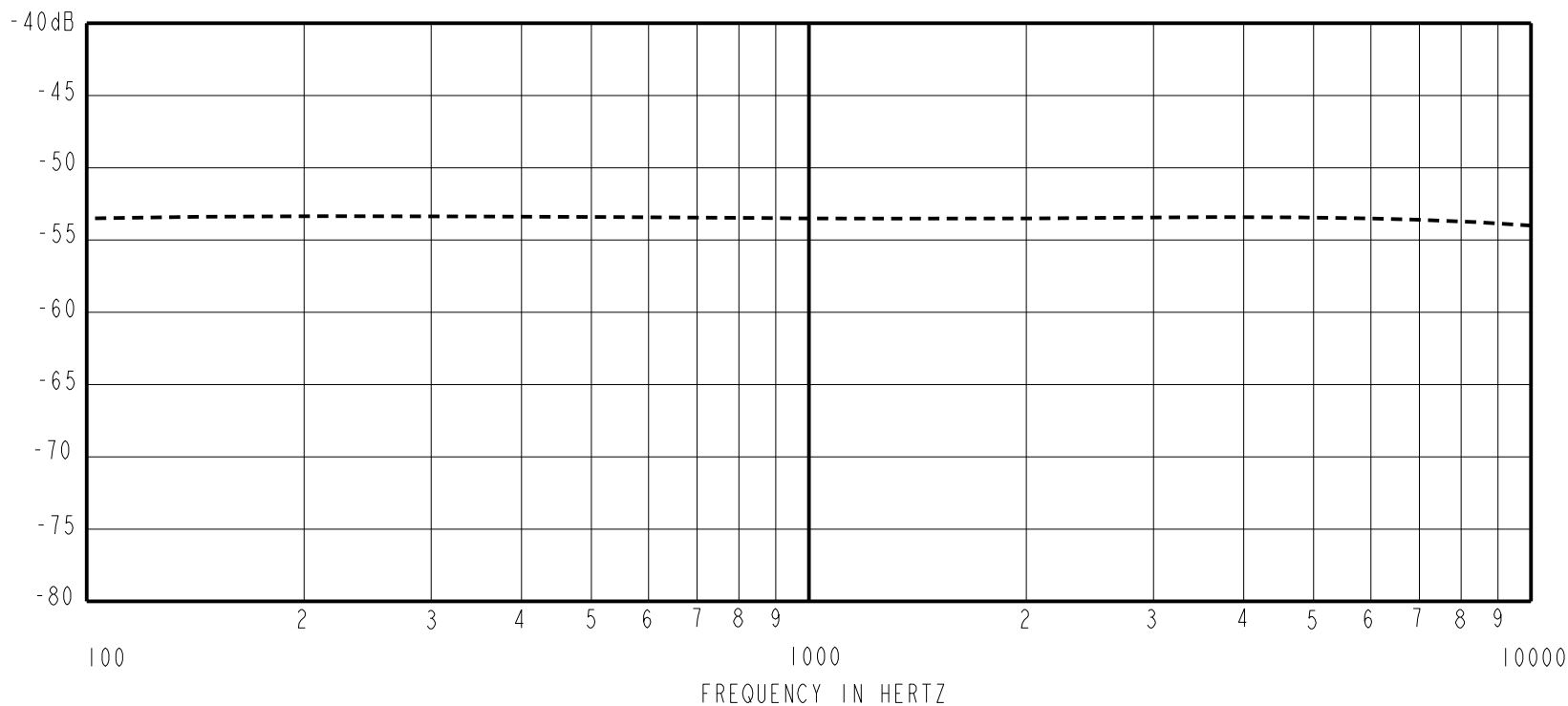
DIMENSIONS IN MILLIMETERS [INCHES]

Revision	C.O. #	Implementation Date	RELEASE LEVEL	REVISION
J	MI0105709	10-11-14	Active	J

SCALE: 10:1		DR. BY: DMS	DATE: 6-24-05
DO NOT SCALE DRAWING			
TITLE: MICROPHONE	FC-23329-C05	CK. BY: GJP	DATE: 6-24-05
OUTLINE DRAWING		APP. BY: GJP	DATE: 6-24-05
SHT 1.1			

**KNOWLES ELECTRONICS**  
ITASCA, ILLINOIS U.S.A.

SENSITIVITY IN dB RELATIVE TO 1.0 VOLT/0.1 Pa (N/M<sup>2</sup>)  
FOR CONDITIONS SHOWN BELOW.



FREQUENCY	SENSITIVITY			DEVICE CONFORMITY	
	MIN.	NOM.	MAX.	RANGE OF DEVIATION FROM 1KHz	
100	---	-53.5	---	-3.0	+3.0
1000	-56.5	-53.5	-50.5	0.0	0.0
10000	---	-53.0	---	-3.0	+4.0

- NOTES:
1. CASE CONNECTED TO NEGATIVE TERMINAL.
  2. MICROPHONE TO BE FUNCTIONAL WITH 1.6 VDC SUPPLY.
  3. TYPICAL SENSITIVITY TO HUMIDITY AT 1000Hz IS 0.06 dB/%RH
  4. SENSITIVITY AND NOISE VALUES INDICATED ON THIS SPECIFICATION ARE VALID AT 50% HUMIDITY.

DC SUPPLY	AMPLIFIER CURRENT DRAIN	SENSITIVITY CHANGE ON REDUCING SUPPLY TO 0.9VDC	"A" WEIGHTED NOISE (1 kHz EQUIV. SPL)	OUTPUT IMPEDANCE OHMS		
				MIN.	NOM.	MAX.
1.3V	50 μA MAX.	3 dB MAX.	30.0 dB MAX.	2800	4400	6800

Revision	C.O. #	Implementation Date	RELEASE LEVEL	REVISION
J	M10105709	10-11-14	Active	J

WHEN TEST LIMITS ARE USED TO ESTABLISH INCOMING INSPECTION ACCEPTANCE/REJECTION CRITERIA, CORRELATION OF TEST EQUIPMENT WITH KNOWLES IS ALSO REQUIRED FOR ELIMINATION OF EQUIPMENT AND TEST METHOD VARIATION  TITLE: <b>MICROPHONE</b> PERFORMANCE SPECIFICATION	<b>FG-23329-C05</b>	DR. BY	DATE
	<b>SHT 2.1</b>	DMS	6-24-05
		GJP	6-24-05
		GJP	6-24-05

**KNOWLES ELECTRONICS**  
ITASCA, ILLINOIS U.S.A.

# Mouser Electronics

Authorized Distributor

Click to View Pricing, Inventory, Delivery & Lifecycle Information:

[Knowles:](#)

[FG-23329-C05](#)