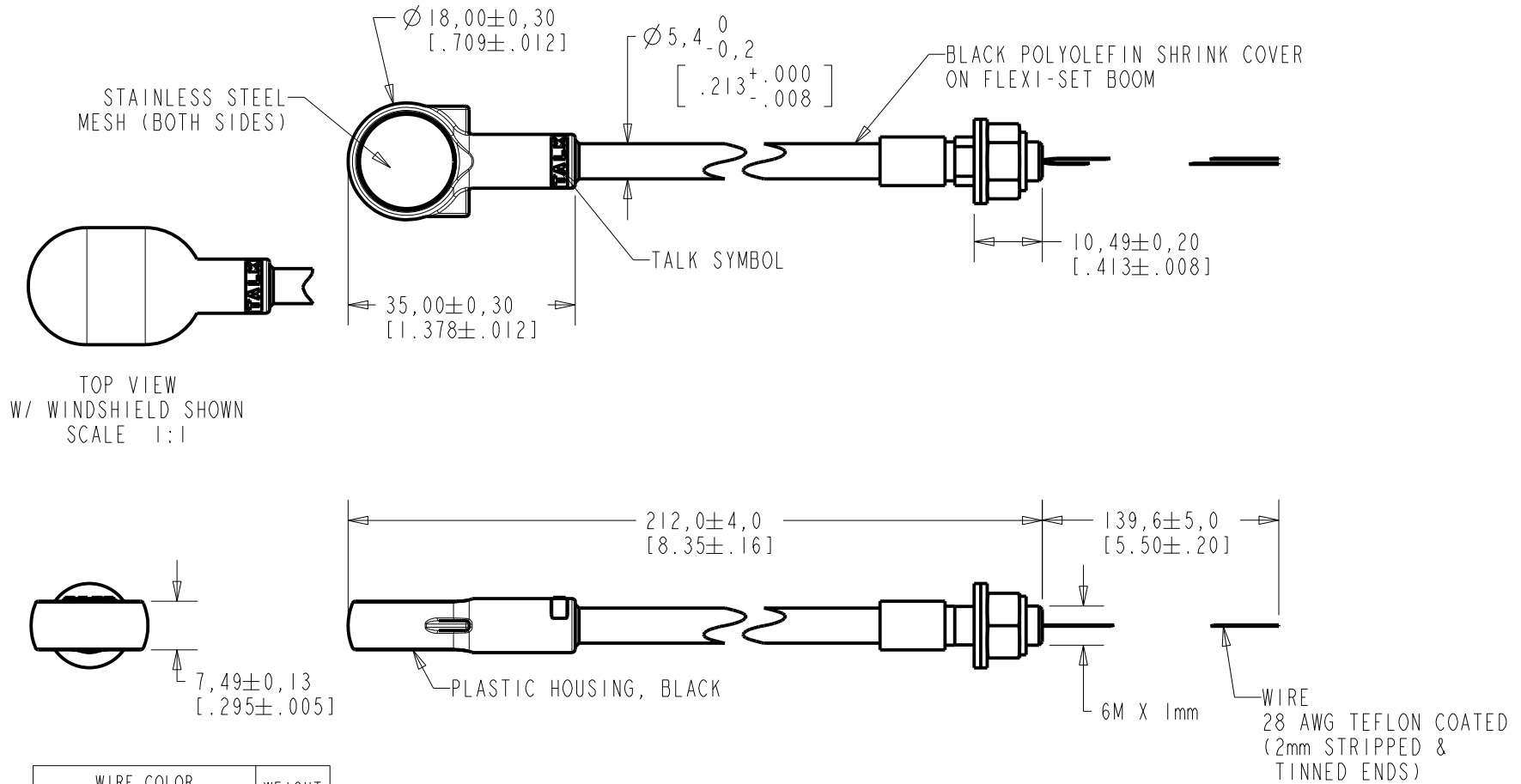


**FB-EI-30026-000**  
SHT 1.1

NOTES:  
1. LASER MARK, SEE WORK INSTRUCTION.



TOP VIEW  
W/ WINDSHIELD SHOWN  
SCALE 1:1

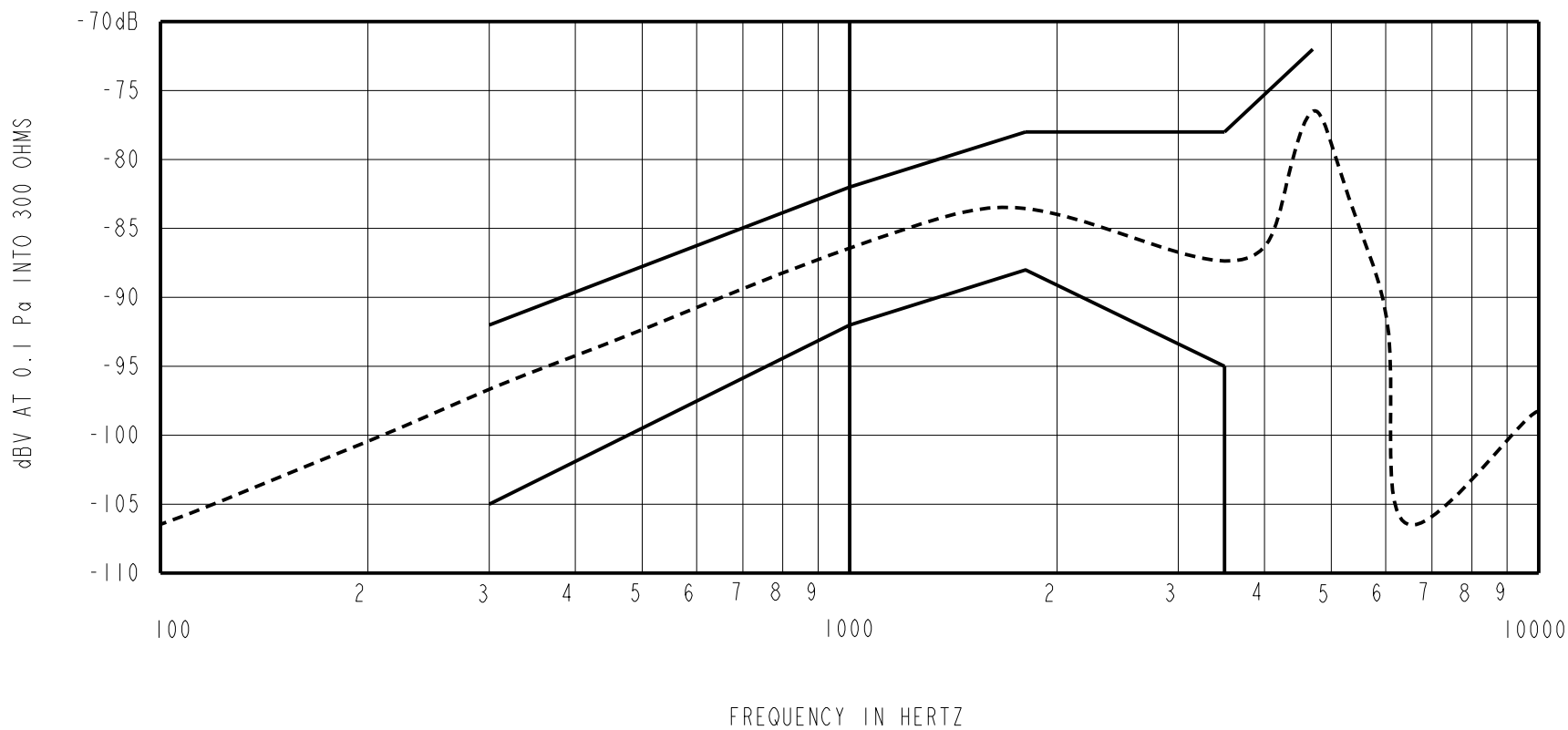
WIRE COLOR		WEIGHT GRAMS
+ve	OUTPUT	
RED	-	BLACK
		t.b.d.

DIMENSIONS IN MILLIMETERS [INCHES]

Revision	C.O. #	Implementation Date	RELEASE LEVEL	REVISION
H	C40101206	3-4-13	Active	H
G	C40100594	2-28-11		

**KNOWLES ELECTRONICS**  
ITASCA, ILLINOIS U.S.A.

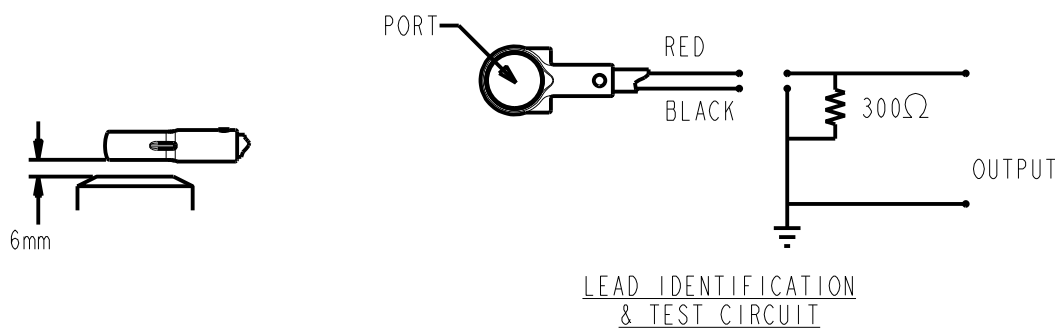
SCALE: 1:1		DR. BY	DATE
DO NOT SCALE DRAWING		CRG	4-28-08
TITLE: BOOM MICROPHONE FB-EI-30026-000		GJP	8-4-06
OUTLINE DRAWING		APP. BY	DATE
SHT 1.1		GJP	8-4-06



NOTES:

1. SENSITIVITY VALUES INDICATED ON THIS SPECIFICATION ARE VALID AT 50% HUMIDITY.
2.

FREQUENCY	SENSITIVITY		
	NIN.	NOM.	MAX.
300	-105	-97.5	-92
1000	-92	-87	-82
1800	-88	-83	-78
3500	-95	-87.5	-78
4000	---	-86.5	---
4700	---	-76.5	-72
3. TEST CONDITIONS:  
 HEAD OF BOOM EXPOSED TO 94 dB SPL SWEPT SOUND FIELD AT 6mm FROM VOICE APERTURE.  
 ARTIFICIAL VOICE:  
 B & k 4227 MOUTH SIMULATOR.
4. FOR MICROPHONE CAPSULE SPEC. SEE DRAWING BJ-28471-000 SHEET 2.1.



Revision	C.O. #	Implementation Date	RELEASE LEVEL	REVISION
H	C40101206	3-4-13	<b>Active</b>	<b>H</b>
G	C40100594	2-28-11		

**KNOWLES ELECTRONICS**  
 ITASCA, ILLINOIS U.S.A.

WHEN TEST LIMITS ARE USED TO ESTABLISH INCOMING INSPECTION ACCEPTANCE/REJECTION CRITERIA, CORRELATION OF TEST EQUIPMENT WITH KNOWLES IS ALSO REQUIRED FOR ELIMINATION OF EQUIPMENT AND TEST METHOD VARIATION

TITLE: **BOOM MICROPHONE** **FB-EI-30026-000**  
 PERFORMANCE SPECIFICATION **SHT 2.1**

DR. BY	DATE
CRG	4-28-08
CK. BY	DATE
GJP	8-4-06
APP. BY	DATE
GJP	8-4-06

# Mouser Electronics

Authorized Distributor

Click to View Pricing, Inventory, Delivery & Lifecycle Information:

[Knowles:](#)

[FB-EI-30026-000](#)