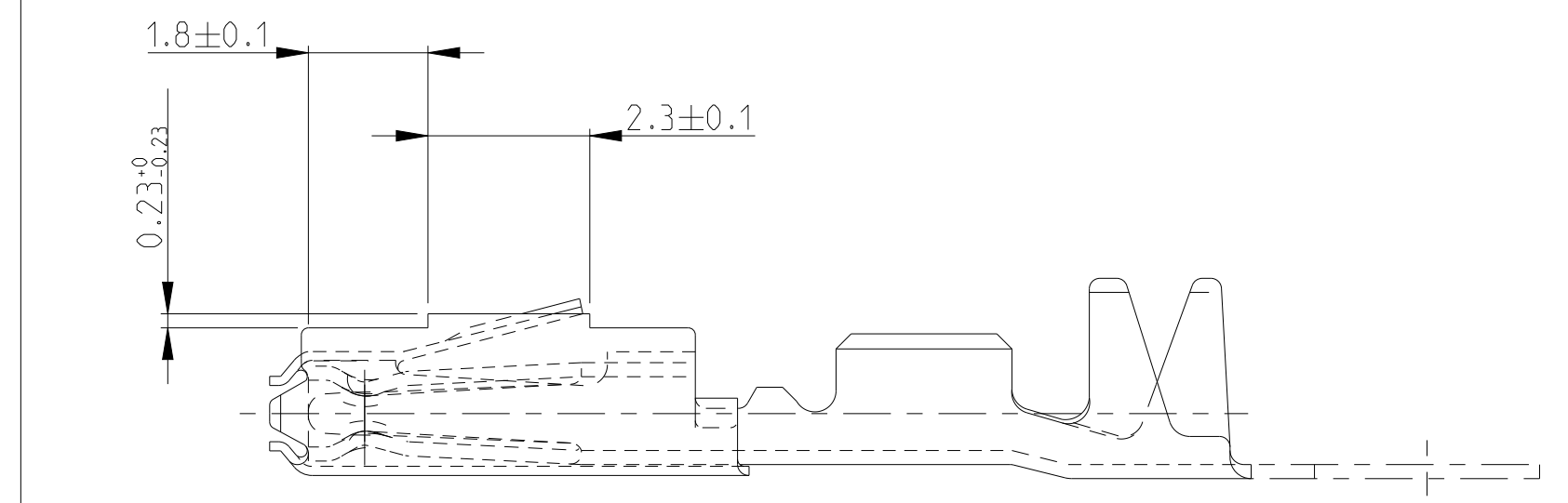
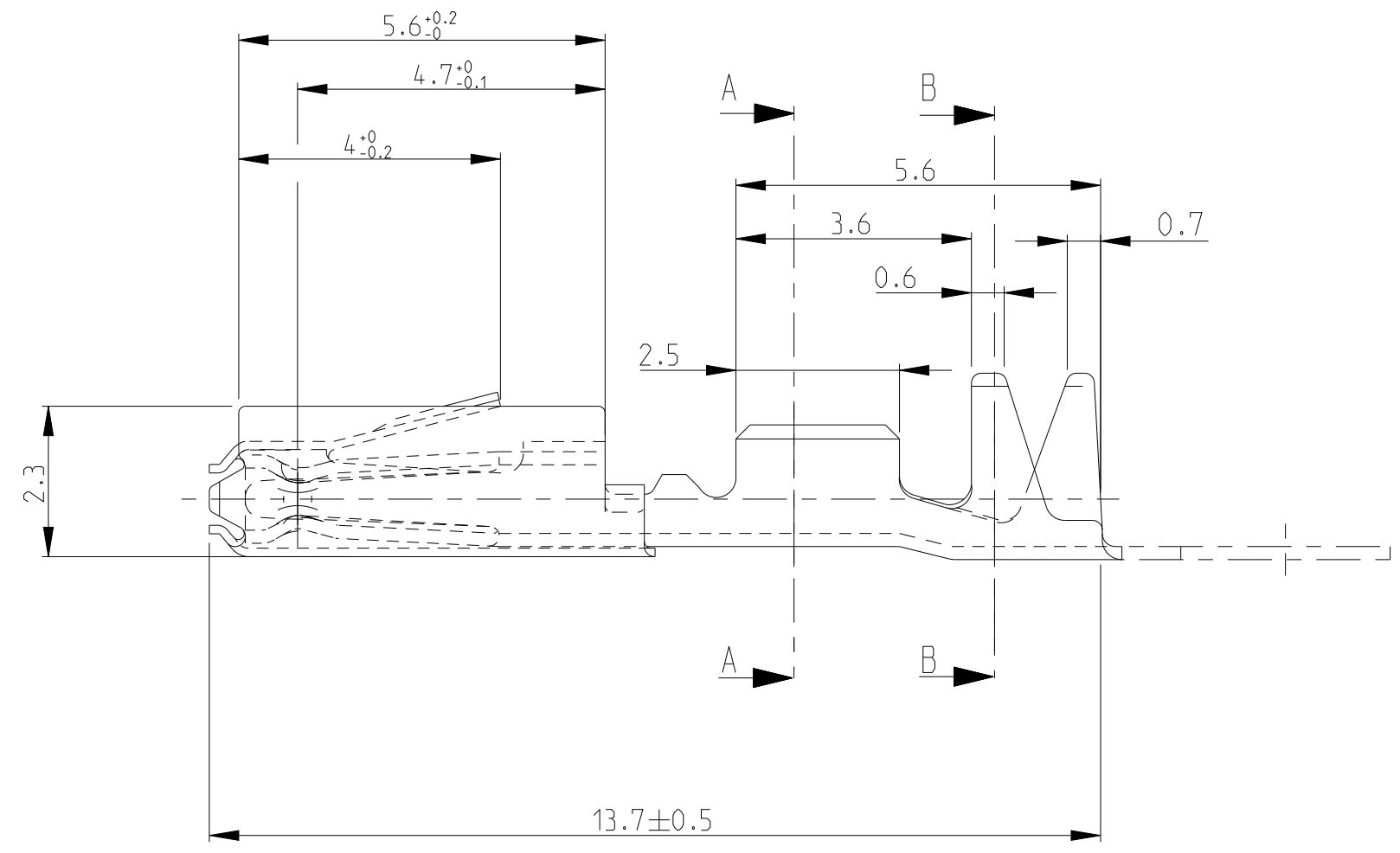
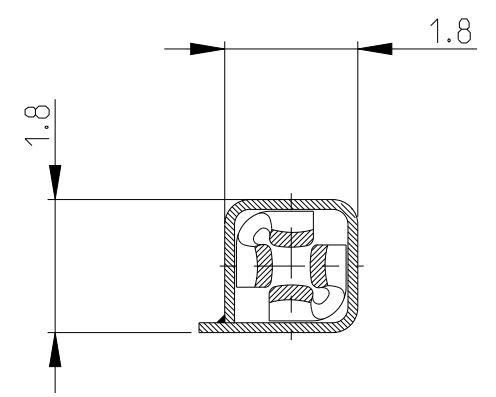


THIS DRAWING IS UNPUBLISHED. RELEASED FOR PUBLICATION 20  
 © COPYRIGHT 20 BY - ALL RIGHTS RESERVED.

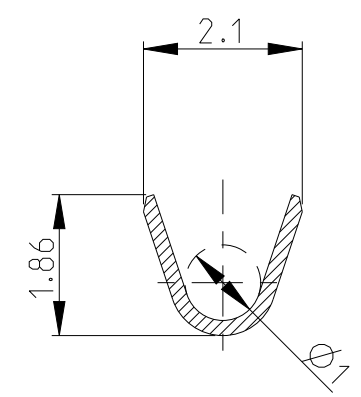
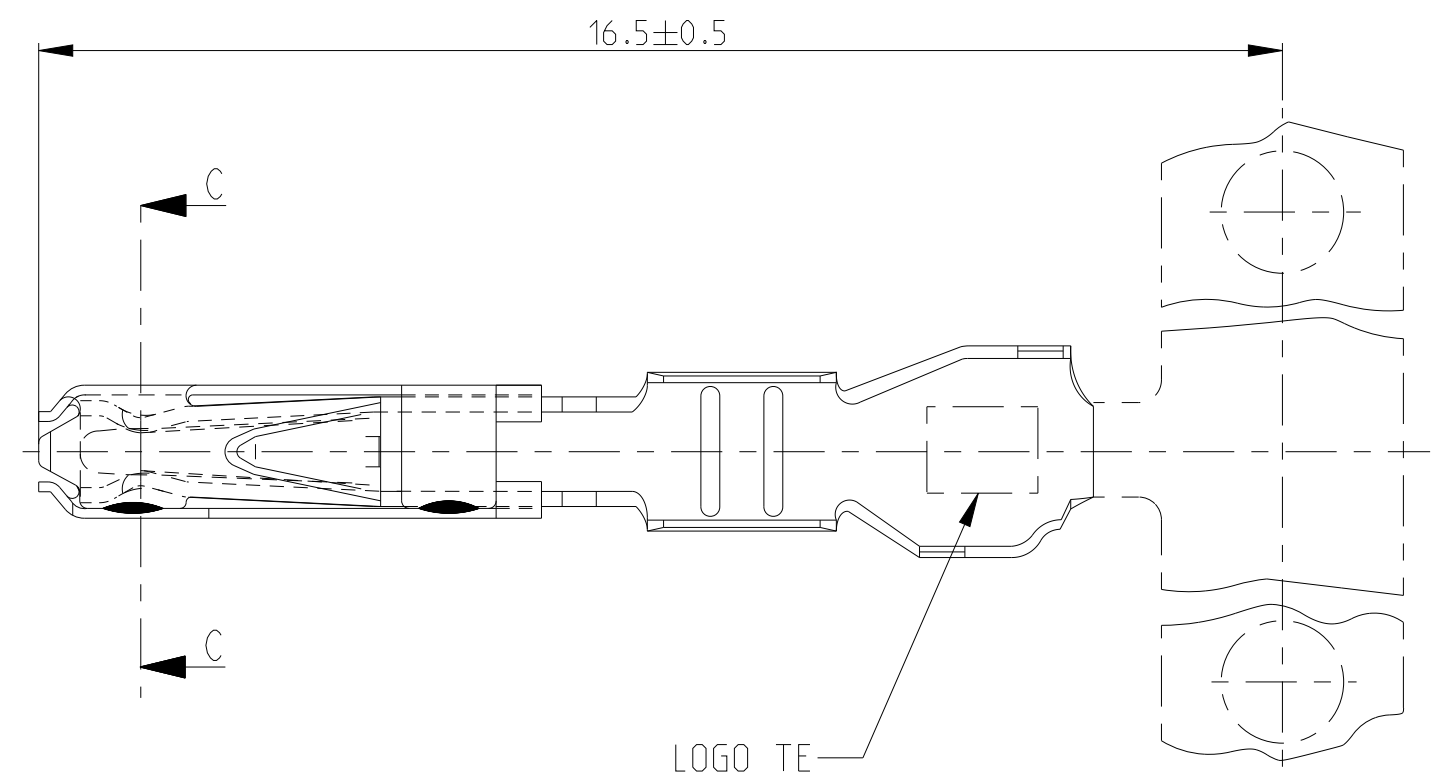
REVISIONS					
P	LTR	DESCRIPTION	DATE	DWN	APVD
E		DRAWING CLARIFICATION WITH ALTERNATE DESIGN	03AUG2017	DB	JD
F		PN 144969-3 obsolete	21OCT2021	AR	FJ



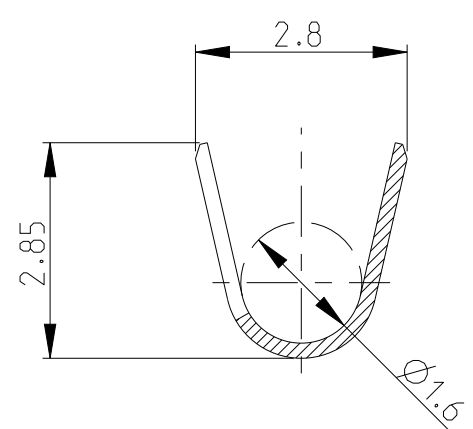
ALTERNATE DESIGN POSSIBLE FOR THE SPRING



SECTION C-C



SECTION A-A



SECTION B-B

PART NUMBER	4 CONTACT POINTS	SPRING	CRIMP AREA
144969-4	Sn 0.8 to 2 µm	Au 0.4 to 0.8 µm	Sn 0.8 to 3.3 µm
144969-3	Au 0.4 to 0.8 µm	Sn 0.8 to 3.3 µm	Sn 0.8 to 3.3 µm
144969-2	Au 0.4 to 0.8 µm	Au 0.4 to 0.8 µm	Sn 0.8 to 3.3 µm
144969-1	Sn 0.8 to 2 µm PRETINNED	Sn 0.8 to 2 µm PRETINNED	Sn 0.8 to 2 µm PRETINNED

THIS DRAWING IS A CONTROLLED DOCUMENT.		DWN A. ROSI 04 JUN2012	TE Connectivity			
DIMENSIONS: mm		CHK X. ROUILLARD 04 JUN2012				
TOLERANCES UNLESS OTHERWISE SPECIFIED:		APVD J. DAHER 04 JUN2012	NAME			
±0.2 ±2°		PRODUCT SPEC 108-18030	CLIP MQS A SERTIR (0.2-0.6 SQ mm) MQS RECEPTACLE WITH BARRIER CRIMP VERSION			
MATERIAL		APPLICATION SPEC 114-15077	SIZE	CAGE CODE	DRAWING NO	RESTRICTED TO
VOIR TABLEAU		WEIGHT 0.2g	A2	00779	©-144969	-
VOIR TABLEAU		CUSTOMER DRAWING	SCALE 10:1	SHEET 1 OF 1	REV F	

# Mouser Electronics

Authorized Distributor

Click to View Pricing, Inventory, Delivery & Lifecycle Information:

[TE Connectivity:](#)

[144969-2](#)