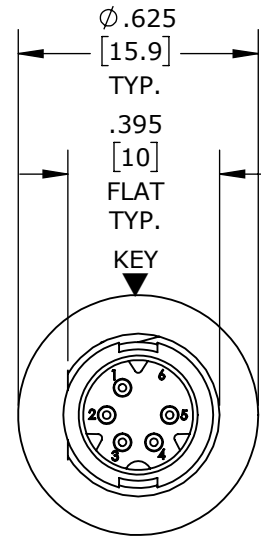


MFG. ENG.	APPROVED BY:	DATE:	QA	APPROVED BY:	DATE:
-----------	--------------	-------	----	--------------	-------

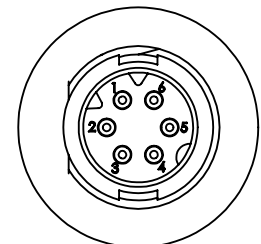
PART NO.	NO. OF PINS
W17982-5PG-P-300	5
W17982-6PG-P-300	6
W17982-7PG-P-300	7

NOTES:

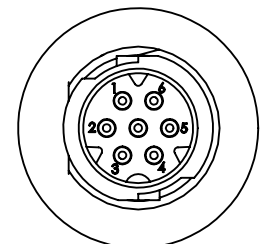
1. ALL PARTS ARE BULK PACKED.
2. REFER TO DRAWING HPMSTD FOR CONTACT PATTERNS.
3. ALL DIMENSIONS ARE REFERENCE ONLY IN INCHES [mm], WITHIN ±0.015 UNLESS OTHERWISE NOTED.



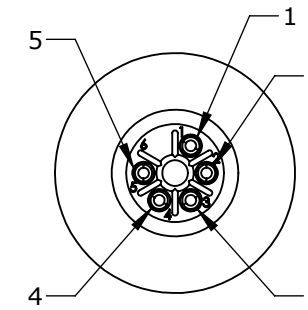
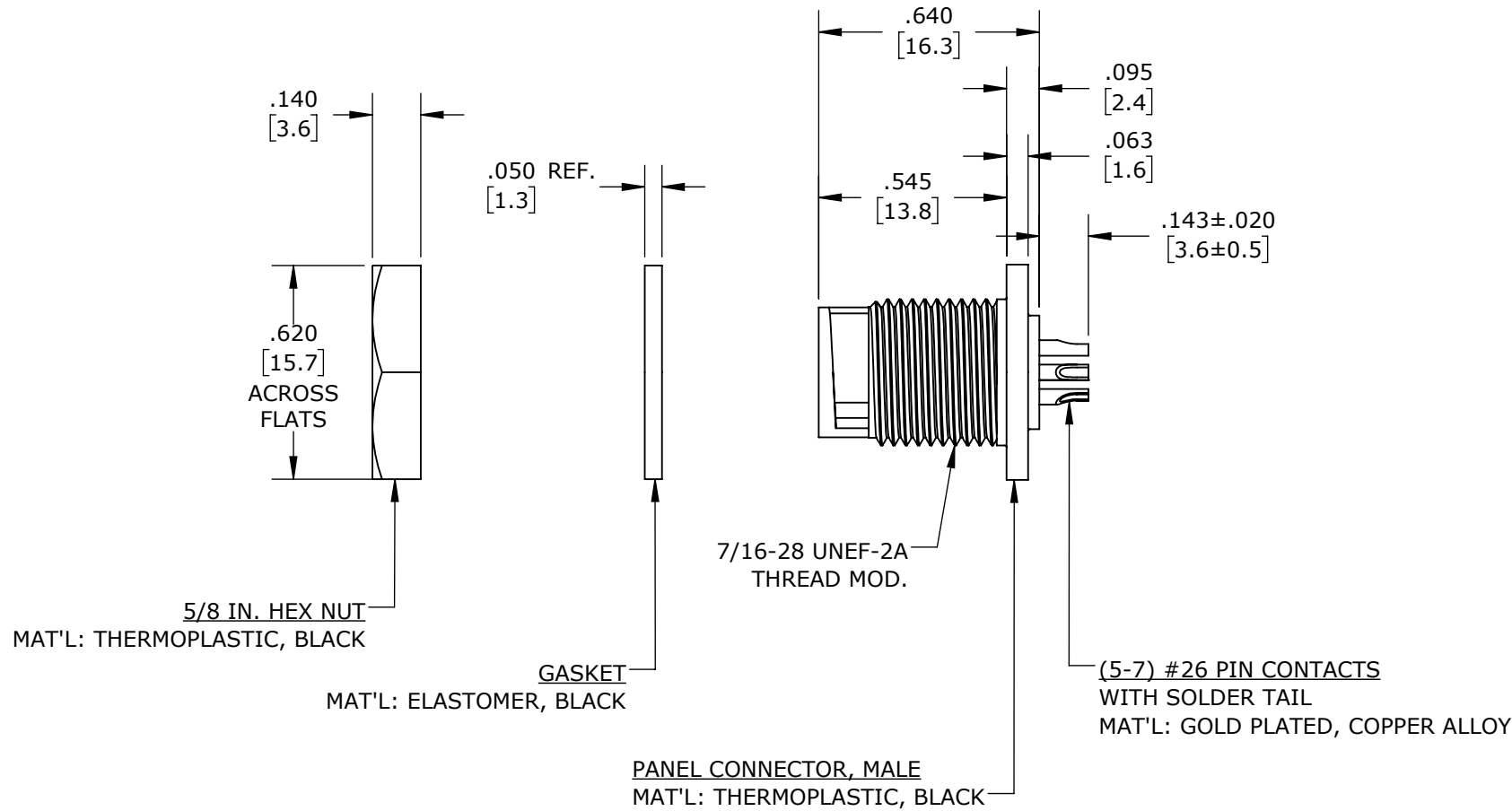
FACE VIEW
W17982-5PG-P-300
5 POSITION
A-KEY



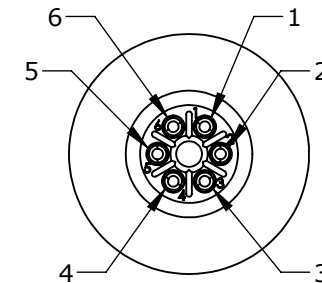
FACE VIEW
W17982-6PG-P-300
6 POSITION
B-KEY



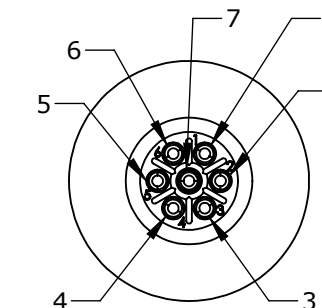
FACE VIEW
W17982-7PG-P-300
7 POSITION
A-KEY



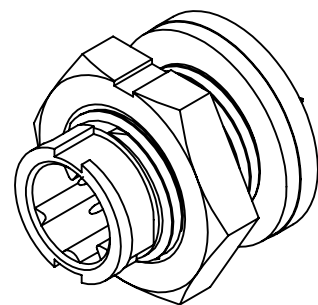
WIRE VIEW
W17982-5PG-P-300



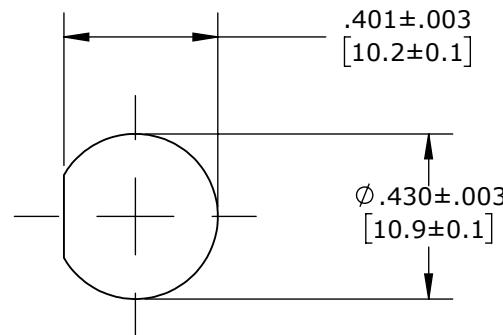
WIRE VIEW
W17982-6PG-P-300



WIRE VIEW
W17982-7PG-P-300



ASSEMBLED VIEW
FOR CUSTOMER REF. ONLY



RECOMMENDED PANEL CUTOUT

CUSTOMER APPROVAL

THIS DOCUMENT CONTAINS CONFIDENTIAL INFORMATION PROPRIETARY TO CONXALL CORPORATION. ANY REPRODUCTION, DISCLOSURE, OR USE OF THIS DOCUMENT /INFORMATION IS EXPRESSLY PROHIBITED UNLESS AUTHORIZED IN WRITING BY CONXALL CORPORATION.

APPROVED BY: _____
DATE: _____

RoHS COMPLIANT

PRELIMINARY

DIMENSIONS IS BRACKETS [] ARE METRIC

0A	JGK	8/14/19	DRAWING CREATED FOR PDR #18004.	
REV.	INIT.	DATE	DESCRIPTION	
			ORIG. DRAWN BY: JGK	DATE: 8/14/19
ALL INFORMATION ILLUSTRATED IS THE PROPERTY OF CONXALL CORPORATION. UNAUTHORIZED DUPLICATION OR DISTRIBUTION OF THIS DOCUMENT IS PROHIBITED.			 601 E. WILDWOOD VILLA PARK, IL 60181	
ALL UNITS ARE IN FEET, INCHES, FRACTION OF INCHES AND DECIMALS. UNLESS OTHERWISE SPECIFIED TOLERANCES: 3 PLACE DECIMALS ±.005 ANGLES ±1° FRACTIONS ±1/16				
APPROVED BY:			TITLE: PANEL MOUNT ASSEMBLY (5-7) #26 PIN CONTACTS, SOLDER CUP INSTA-CLICK, MICRO-CON-X STANDARD PRODUCT	
SCALE: NTS	SIZE: B	SHEET: 1 OF 1	CUSTOMER:	
FILE: W17982-XPG-P-300	DIRECTORY: SLW	PART NUMBER: W17982-XPG-P-300	REV: 0A	

CUSTOMER PRINT

PART NUMBER: W17982-XPG-P-300

Mouser Electronics

Authorized Distributor

Click to View Pricing, Inventory, Delivery & Lifecycle Information:

Switchcraft:

[W17982-7PG-P-300](#) [W17982-6PG-P-300](#) [W17982-6PG-P-3ES](#) [W17982-5PG-P-3ES](#) [W17982-7PG-P-3ES](#)
[W17982-5PG-P-300](#)