

**Technical data // P25SMT 1 03 TR**

Rotary Code Switch

SMT Gull Wing Surface Mount Technology

**Highlights**

- 2.5 mm height
- 7.0 mm length
- Lateral C-contact
- Contacts with abrasion resistant hard gold plating
- Solid, tinned PCB pins

Mechanical Data

Type	horizontal
Fixation mode	SMT
Height	2.5 mm
Length	6.0 mm
Width	7.0 mm
Pin connection	3+3
Perm. ambient temperature	-50 °C ... +125 °C
Perm. storage temperature	-55 °C ... +135 °C
Torque	initial min. 0.7 Ncm
Mechanical lifetime	2.500 steps
Positions per rotation	10 / 16
Shock and vibration testing	acc. IEC 60068
Humidity	21 days at 40 °C, 93 %RH
Reflow soldering	10 s / 260 °C
Iron soldering	2 s / 340 °C

Electrical Data

Operating voltage	≤ 42.0 V
Standby current	≤ 0.4 A
Contact load, dynamic	≤ 0.1 A
Minimum load	1.0 μ A 20mVDC
Test voltage	250.0 V 50 Hz / 1.0 min
Contact resistance	< 80.0 mOhm
Insulation resistance	> 100.0 MOhm



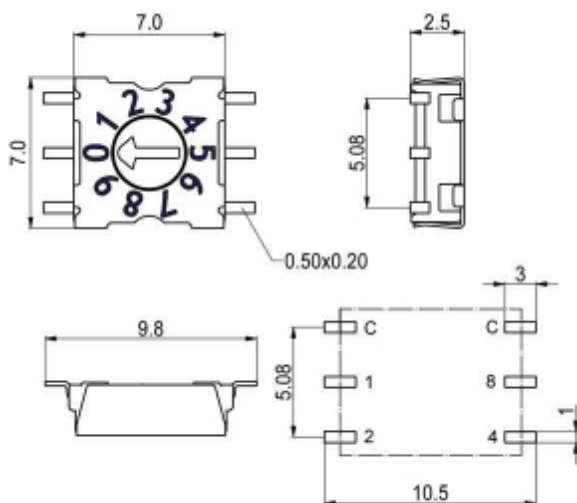
Technical data

// P25SMT 1 03 TR

Rotary Code Switch

SMT Gull Wing Surface Mount Technology

Technical Drawing



Configuration

Actuators



Arrow-shaped slot



Technical data

// P25SMT 1 03 TR

Rotary Code Switch

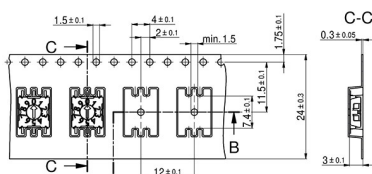
SMT Gull Wing Surface Mount Technology

Codes

Hexadezimal Typ 03						
	C	1	2	4	8	
0	●					0
1	●	●				●
2	●		●			2
3	●	●	●			●
4	●			●		4
5	●	●		●		●
6	●		●	●		6
7	●	●	●	●		●
8	●				●	8
9	●	●			●	●
10	●		●		●	A
11	●	●	●		●	●
12	●			●	●	C
13	●	●		●	●	●
14	●		●	●	●	E
15	●	●	●	●	●	●

Packing

Hexadecimal, 16



Tape on Reel Packing