

# IMM100T - iMOTION™ IPM for motor control

## Fully integrated high-performance turnkey motor control system

IMM100T

### Features

- Motion Control Engine (MCE) as a ready-to-use control solution for variable speed drives
- Integrated script engine for application control customization
- Integrated drive and system protection features
- Field oriented control (FOC) for permanent magnet synchronous motor (PMSM)
- Flexible space vector PWM for sinusoidal voltage control
- Current sensing via single or leg shunt
- Sensorless operation
- Hall sensor operation using analog or digital Hall
- Integrated analog comparators for over-current protection
- Built-in temperature sensor
- Power factor correction (PFC) control (optional)
- Flexible control input options: UART, Frequency, duty cycle or analog signal
- Certified drive safety functions according to IEC/UL 60730-1 'Class B'
- High voltage three phase gate driver with 600 V blocking voltage
- 15 V supply voltage for gate driver
- Integrated boot strap diode structure
- Isolation 1500 V<sub>RMS</sub> 1 min
- 3.3 V or 5.0 V controller supply voltage
- 3 different power MOSFET options: 6 Ω/500 V, 1.4 Ω/650 V and 0.95 Ω/650 V
- Very compact 12 x 12 mm PQFN package

### Potential applications

- Small and major home appliances
- Fans, Pumps, Compressors
- General purpose variable speed drives

### Product validation

Qualified for industrial applications according to the relevant tests of JEDEC47/20/22.

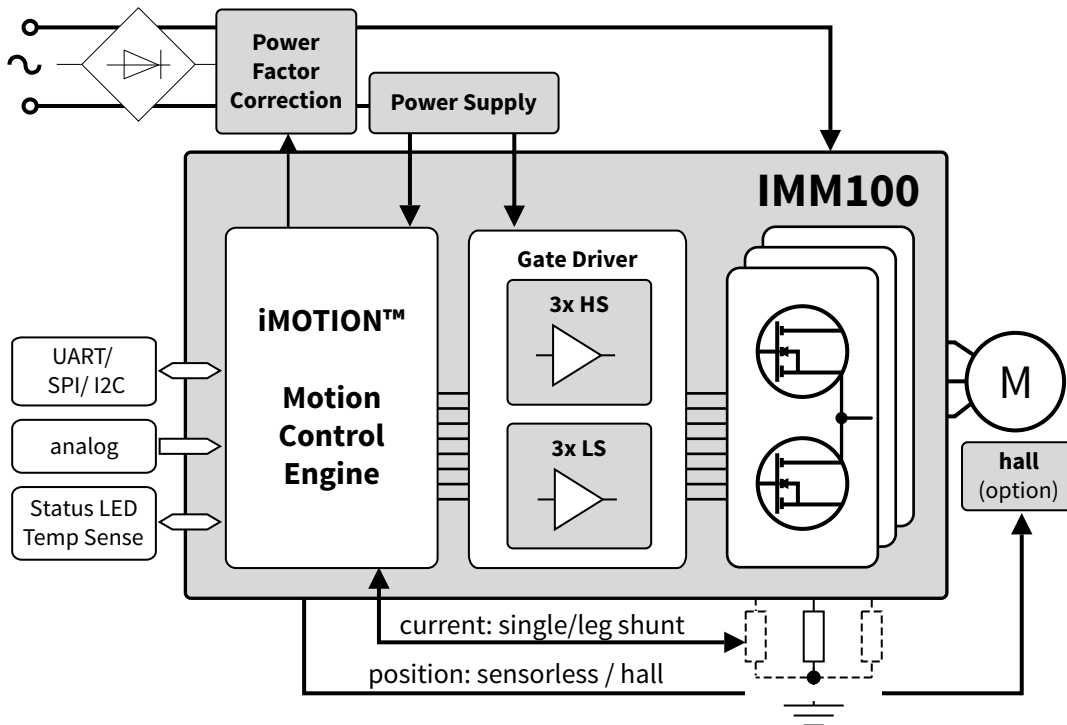
**Description**

**Description**

IMM100T devices belong to IMM100 series of iMOTION™ IPMs. IMM100T is a family of fully-integrated, turnkey high-voltage motor drive modules designed for high-performance, high-efficiency PMSM/BLDC motor drive applications such as fans, pumps and small compressors.

IMM100T integrates the motor controller, a 3-phase high-voltage, rugged gate driver with integrated bootstrap functionality and either 500 V FredFET or 650 V CoolMOS™ MOSFETs. Depending on the MOSFETs employed in the package, IMM100T covers applications with a rated output power from 25 W to 80 W with 500 V or 600 V maximum DC voltage. It uses a compact 12 x 12 mm<sup>2</sup> surface-mount package which minimizes external components count and PCB area and features a 1.3 mm creepage distance between the high-voltage pads to increase the robustness of the system.

The motor controller uses the Motion Control Engine (MCE) to create a ready-to-use solution to perform control of a permanent magnet synchronous motor (PMSM) and an optional power factor correction (PFC) providing the shortest time to market for any motor system at the lowest system and development cost. The integrated script engine allows to add application flexibility without interfering with the motor control algorithm.



**Ordering information**

Product type	Application	Output rating
IMM101T-015M	Single motor control	500 V/1 A
IMM101T-046M	Single motor control	600 V/4 A
IMM101T-056M	Single motor control	600 V/4 A (optimized for low-frequency operation)
IMM102T-015M	Single motor control + boost PFC	500 V/1 A
IMM102T-046M	Single motor control + boost PFC	600 V/4 A
IMM102T-056M	Single motor control + boost PFC	600 V/4 A (optimized for low-frequency operation)

## Table of contents

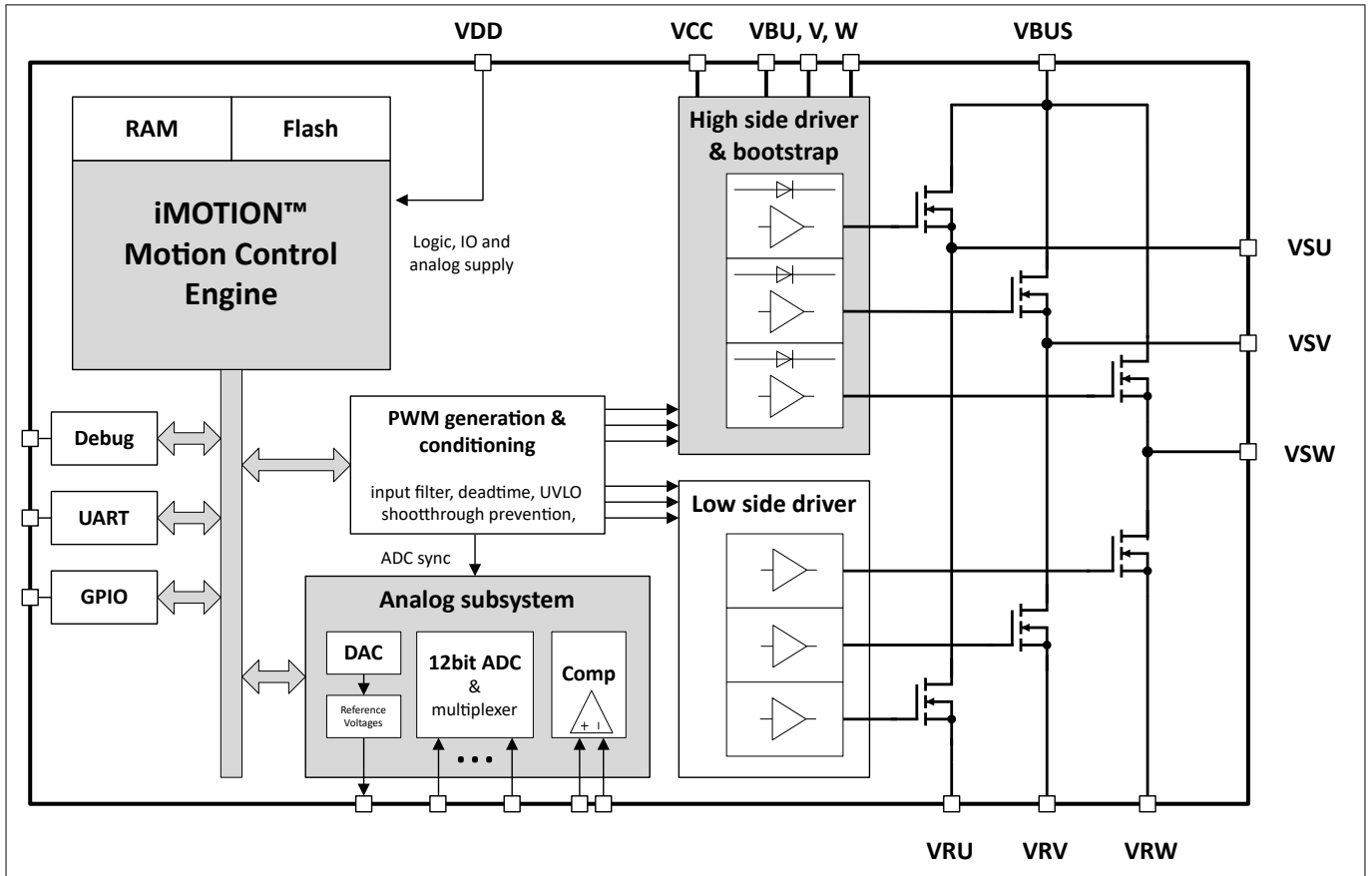
	<b>Features</b> .....	1
	<b>Potential applications</b> .....	1
	<b>Product validation</b> .....	1
	<b>Description</b> .....	2
	<b>Table of contents</b> .....	3
<b>1</b>	<b>Block diagram reference</b> .....	5
<b>2</b>	<b>Pin types and pad structure</b> .....	6
2.1	Pin Configuration IMM101T .....	7
2.2	Pin Configuration IMM102T .....	8
2.3	Pin configuration drawing .....	9
<b>3</b>	<b>Functional description</b> .....	10
3.1	Overview .....	10
3.2	Motion Control Engine .....	10
3.3	Gate driver function .....	11
3.3.1	Features and protections .....	11
3.3.2	Block diagram .....	12
3.3.3	I/O structure .....	13
3.4	MOSFETs .....	13
3.5	Application diagrams .....	13
<b>4</b>	<b>Electrical characteristics and parameters</b> .....	15
4.1	General parameters .....	15
4.1.1	Parameter Interpretation .....	15
4.1.2	Absolute maximum ratings .....	15
4.1.3	Pin Reliability in Overload .....	16
4.1.4	Operating Conditions .....	18
4.2	DC characteristics .....	19
4.2.1	Input/Output Characteristics .....	19
4.2.2	Analog to Digital Converter (ADC) .....	21
4.2.3	Analog comparator characteristics .....	21
4.2.4	Power Supply Current Controller .....	22
4.2.5	Flash Memory Parameters .....	22
4.2.6	Under voltage lockout DC characteristics .....	23
4.2.7	Power Supply Current Gate Driver .....	24
4.2.8	MOSFET static electrical characteristics .....	24
4.3	AC characteristics .....	25
4.3.1	Testing Waveforms .....	25
4.3.2	Power-Up and Supply Threshold Characteristics .....	25

**Table of contents**

4.3.3	On-Chip Oscillator Characteristics .....	27
4.3.4	MOSFET dynamic electrical characteristics .....	28
4.3.5	MOSFET avalanche characteristics .....	28
4.4	Motor Control Parameters .....	30
4.4.1	PWM Characteristics .....	30
4.4.2	Current Sensing .....	30
4.4.3	Fault Timing .....	31
4.5	Power Factor Correction (PFC) parameters .....	32
4.5.1	Boost PFC characteristics .....	32
4.5.2	Totem Pole PFC characteristics .....	32
4.5.3	PFC Current Sensing .....	32
4.5.4	PFC Fault Timing .....	32
4.6	Device Interfaces .....	34
4.6.1	UART Interface .....	34
4.6.2	Analog Speed Input .....	35
4.6.3	Frequency Input .....	36
4.6.4	Duty Cycle Input .....	37
<b>5</b>	<b>Device and package specifications</b> .....	<b>38</b>
5.1	Quality declaration .....	38
5.2	SBSL and Chip-IDs .....	38
5.3	Thermal characteristics .....	38
5.4	Thermal characterization .....	38
5.5	Package outline PG-IQFN-38-1 .....	43
5.6	Part marking information .....	43
<b>6</b>	<b>Revision history</b> .....	<b>44</b>
	<b>Disclaimer</b> .....	<b>45</b>

**1 Block diagram reference**

**1 Block diagram reference**



**Figure 1 Block diagram reference**

**2 Pin types and pad structure**

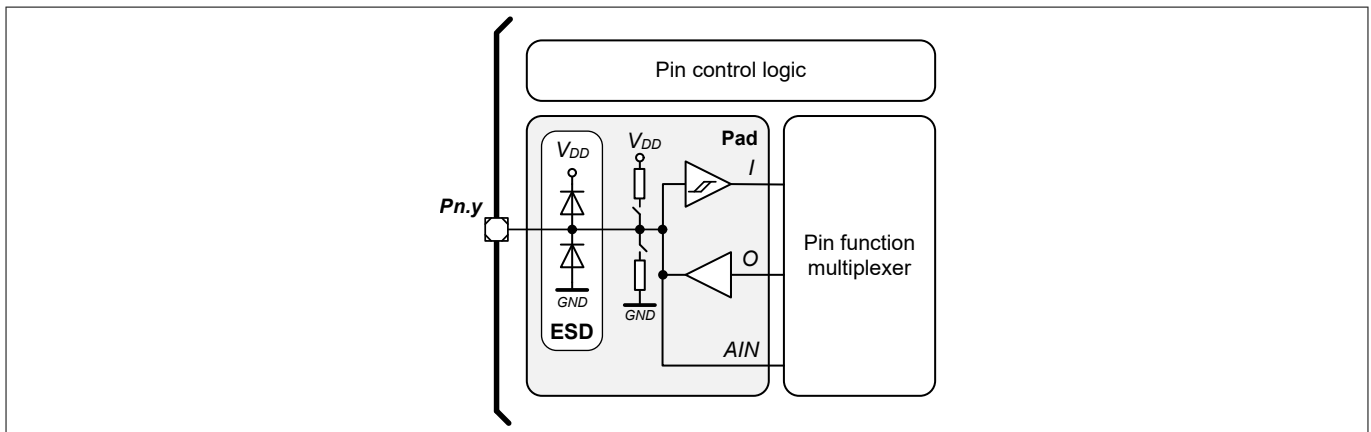
**2 Pin types and pad structure**

The pin type is specified as follows:

- P - power
- I - digital input
- O - digital output
- IO – digital input or output
- AIN - analog input
- AO - analog output

Figure 2 shows the pad structure and pin function control configuration for the input and output pins of the controller integrated.

The pin function, type and pull up/pull down circuit configuration are all controlled by the Motion Control Engine. Digital input, output or analog input signals that are not assigned to MCE functions can be assigned to the script engine. The gate driver outputs are controlled by MCE PWM signals internally connected to the gate driver inputs.



**Figure 2 Pin Pad and Function Configuration**

The pin function table given below refers to the standard configuration. The pin control or interface functions are defined by the version of software downloaded to the device and may change. Some of the input pins can be configured to have pull up or pull down resistor and some output pins can be configured to push-pull or open drain. This is described in the respective software reference manual.

Pins can serve multiple functions and have to be configured accordingly. Please also refer to the respective pin configuration drawings in this data sheet and the description in the MCE software reference manual.

Pins that do not have any signal assigned are reserved for future use. These pins should be left unconnected and neither be connected to ground nor to the positive supply.

*Note: All required reference voltages are generated by an internal DAC, therefore the AO pins like IREF, REFU, REFV, and REFW only require a blocking capacitor.*

## 2 Pin types and pad structure

### 2.1 Pin Configuration IMM101T

**Table 1** Pin definitions and functions IMM101T series – single motor control – typical configuration

Pin	Name	Type	Description
1	<i>VBUS</i> scaled	AIN	Vbus scaled ADC input
2	<i>CREF</i>	I/O	Analog overcurrent comparator threshold DAC
3	<i>VDD</i>	P	Digital $V_{DD}$ input [3.3 V – 5.0 V]
4	<i>GPIO1/ TROUT0</i>	I/O	Digital input --- analog and digital output /TRIAC control
5	<i>VCC</i>	P	15 V gate driver power supply input
6	<i>VSS1</i>	P	Gate driver power ground, connect externally via PCB to pin 36
7	<i>VBV</i>	P	V phase bootstrap capacitor positive
8	<i>VBW</i>	P	W phase bootstrap capacitor positive
9,10	<i>VSU</i>	P	U phase output
11,12	<i>VRU</i>	P	Leg U return – low-side MOS source
13,14	<i>VRV</i>	P	Leg V return – low-side MOS source
15,16, 40	<i>VSV</i>	P	V phase output and V phase bootstrap capacitor negative
17,18,19	<i>VSW</i>	P	W phase output and W phase bootstrap capacitor negative
20,21	<i>VRW</i>	P	Leg W return – low-side MOS source
22~29	<i>VBUS</i>	P	DC bus voltage
30, 39	<i>VSU</i>	P	U phase bootstrap capacitor negative
31	<i>VBU</i>	P	U phase bootstrap capacitor positive
32	<i>RX0/ SCL/ IR0</i>	IO	Serial port receive input / I2C/ IR
33	<i>TX0/ SDA</i>	IO	Serial port transmit output/ I2C
34	<i>VSP/ IR2</i>	I	Analog voltage set point input/ IR
35	<i>IW (or H0)</i>	AIN	Analog current sense input phase W or Hall 0 input
36,41	<i>VSS2</i>	P	Signal ground --- Connect externally via PCB to pin 6
37	<i>IV (or H1)/ TRIN0</i>	I	Analog current sense input phase V or Hall 1 input/ TRIAC control
38	<i>ISS or IU</i>	AIN	Analog current sense input phase U or single shunt

**2 Pin types and pad structure**

**2.2 Pin Configuration IMM102T**

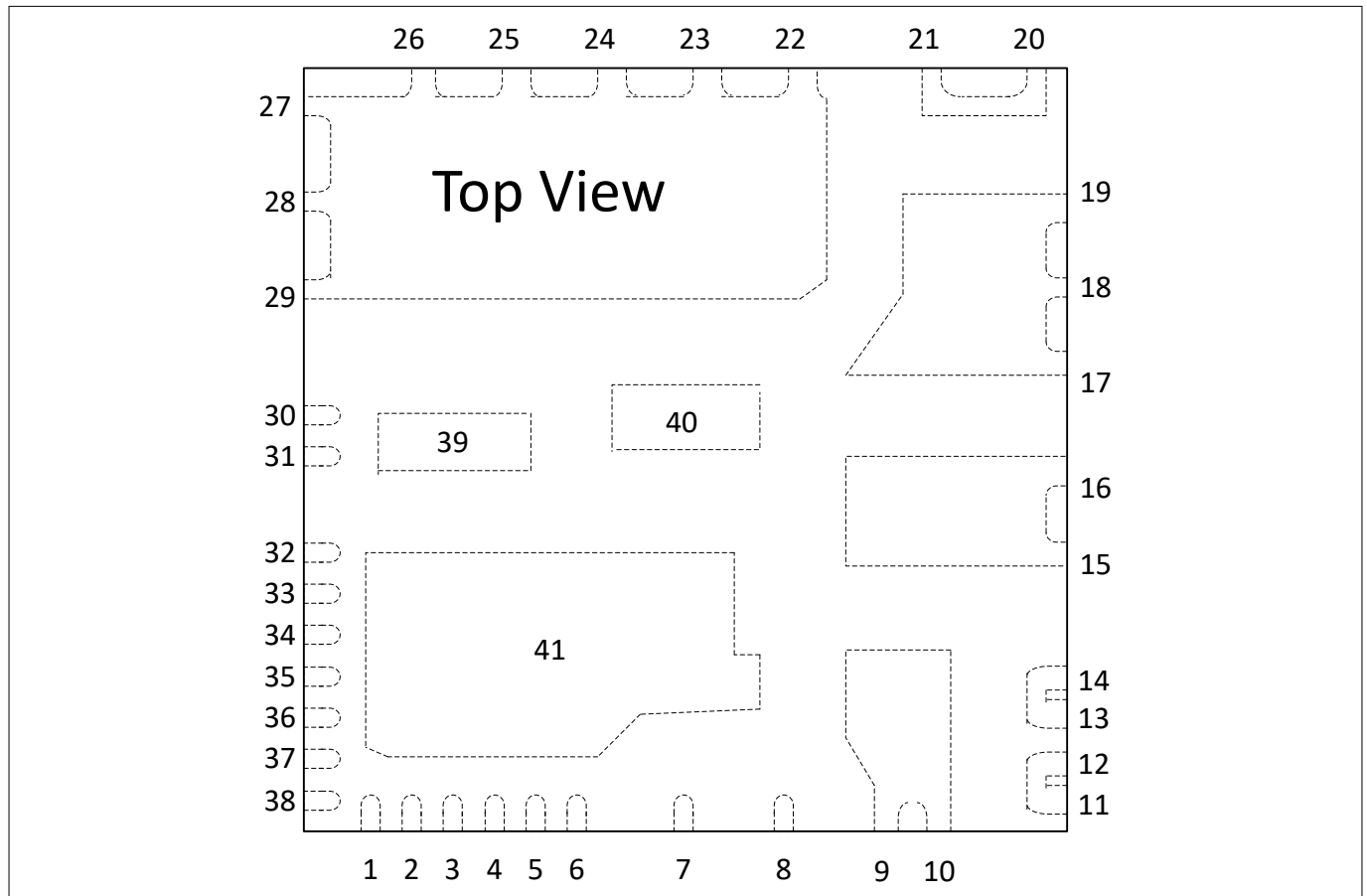
**Table 2 Pin definitions and functions IMM102T series – single motor + PFC – typical configuration**

Pin	Name	Type	Description
1	<i>VBUS</i> scaled	AIN	Vbus scaled ADC input
2	<i>CREF</i>	I/O	Analog overcurrent comparator threshold DAC
3	<i>VDD</i>	P	Digital $V_{DD}$ input [3.3 V – 5.0 V]
4	<i>PFCG</i>	O	PWM output to PFC gate driver
5	<i>VCC</i>	P	15 V gate driver power supply input
6	<i>VSS1</i>	P	Gate driver power ground, connect externally via PCB to pin 36
7	<i>VBV</i>	P	V phase bootstrap capacitor positive
8	<i>VBW</i>	P	W phase bootstrap capacitor positive
9,10	<i>VSU</i>	P	U phase output
11,12	<i>VRU</i>	P	Leg U return – low-side MOS source
13,14	<i>VRV</i>	P	Leg V return – low-side MOS source
15,16, 40	<i>VSV</i>	P	V phase output and V phase bootstrap capacitor negative
17,18,19	<i>VSW</i>	P	W phase output and W phase bootstrap capacitor negative
20,21	<i>VRW</i>	P	Leg W return – low-side MOS source
22~29	<i>VBUS</i>	P	DC bus voltage
30, 39	<i>VSU</i>	P	U phase bootstrap capacitor negative
31	<i>VBU</i>	P	U phase bootstrap capacitor positive
32	<i>RX0/ SCL/IR0</i>	IO	Serial port receive input / I2C/ IR
33	<i>TX0/ SDA</i>	IO	Serial port transmit output/ I2C
34	<i>VAC+</i>	AIN	Vac input ac+ voltage sensing through resistor external divider
35	<i>VAC-</i>	AIN	Vac input ac- voltage sensing through resistor external divider
36,41	<i>VSS2</i>	P	Signal ground --- Connect externally via PCB to pin 6
37	<i>IPFC</i>	AIN	Analog current sense input PFC
38	<i>ISS</i>	AIN	Analog current sense input single shunt



**2 Pin types and pad structure**

**2.3 Pin configuration drawing**



**Figure 3 Pin assignment**

*Note: Pins 39 and 40 are not required to be connected electrically on the PCB but are recommended to be soldered for mechanical stability.*

### **3 Functional description**

## **3 Functional description**

### **3.1 Overview**

The IMM100 modules integrate a controller, a high-voltage three-phase gate driver and six MOSFETs into a single compact package. The high-voltage level shifting function with boot strap diode function is integrated into the gate driver IC. The power stage is built with six low-loss 500 V power FET or 650 V CoolMOS™ MOSFETs which form a three phase inverter circuit.

### **3.2 Motion Control Engine**

iMOTION™ IMM100T use the latest generation of the Motion Control Engine (MCE). The MCE is a ready-to-use solution for variable speed drives and contains all control functions to perform closed loop control of a three phase motor. Optionally, control of a power factor correction (PFC) is provided running in parallel to the motor. Multiple configurable protections like over- and under-voltage, over current or rotor lock are integrated protecting the power stage as well as the motor itself.

iMOTION™ IMM100T supports the use in applications requiring functional safety according to IEC/UL 60730-1 ('Class B')

Using the MCE does not require any software development. Instead the MCE is configured for the concrete power stage configuration and motor type using PC based tools. Following parameter creation the behavior of the motor control loop can be monitored and fine tuned in real time. The respective tools are available for download from the iMOTION™ web pages.

For improved application flexibility the MCE contains a scripting engine running user scripts in the background task. Writing, downloading and monitoring scripts is supported by the above mentioned tools.

The MCE is driven by an internal temperature compensated oscillator that supports peripheral operation at 96 MHz and data processing at 48 MHz.

This data sheet provides all electrical, mechanical, thermal and quality parameters of the IMM100T. A more detailed description of the features and functionality of the MCE can be found in the respective reference manual. The MCE software images are made available for download from the Infineon web site. A special secure boot algorithm assures that these MCE software images can only be installed onto the matching hardware derivative, i.e. the product variant for which the software has been tested for.

### **3 Functional description**

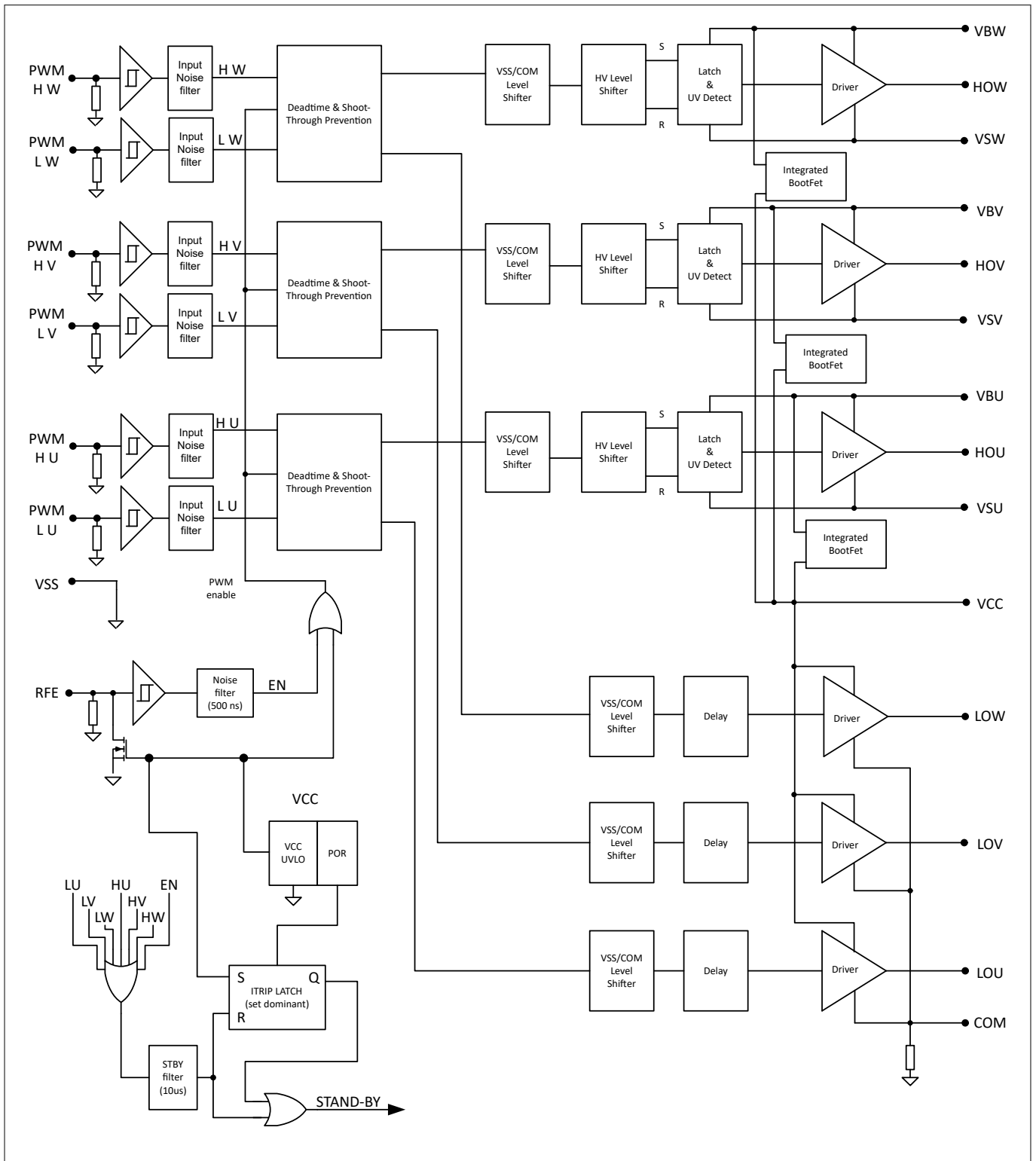
## **3.3 Gate driver function**

### **3.3.1 Features and protections**

The 3-phase high-voltage gate driver integrated in IMM100T is based on 600 V high-voltage junction isolation technology . It integrates a boot strap bootFET structure, so only external bootstrap capacitors are needed outside the module for bootstrap functionality. The driver output impedance is designed to meet an optimal dv/dt for EMI and switching loss trade offs. It is designed for 5 to 6 V/nsec at a rated current condition. The driver employs the anti-shoot-through protection, the integrated bootstrap function for high-side floating supplies, the low standby power and the under voltage lockout protection function for  $V_{CC}$  and high-side  $V_{BS}$  supplies. The under voltage lockout for  $V_{CC}$  is reported as latched fault at pin *RFE*, and the *RFE* pin is connected to *GK* pin of the controller.

**3 Functional description**

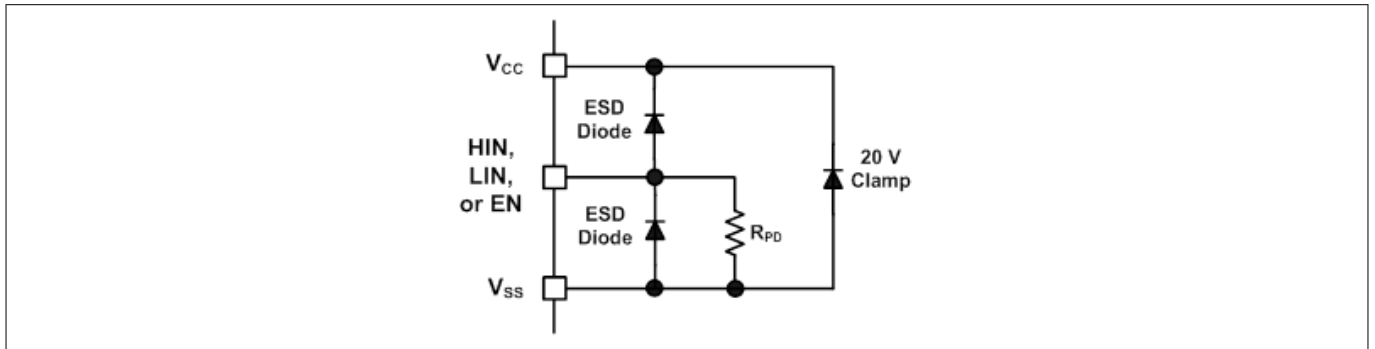
**3.3.2 Block diagram**



**Figure 4 Block diagram of gate driver function**

**3 Functional description**

**3.3.3 I/O structure**



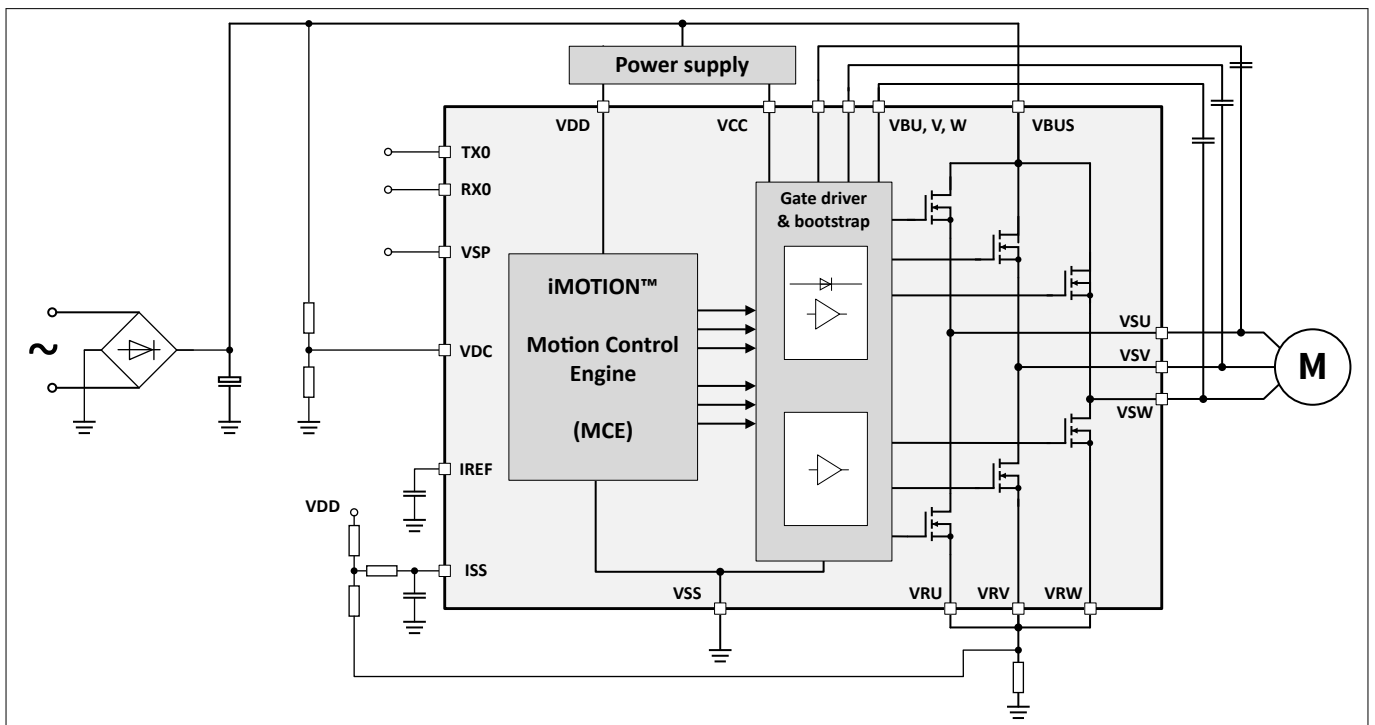
**Figure 5** VCC pin I/O gate driver structure

**3.4 MOSFETs**

The IMM100 modules are available in three different MOSFET power stage options.

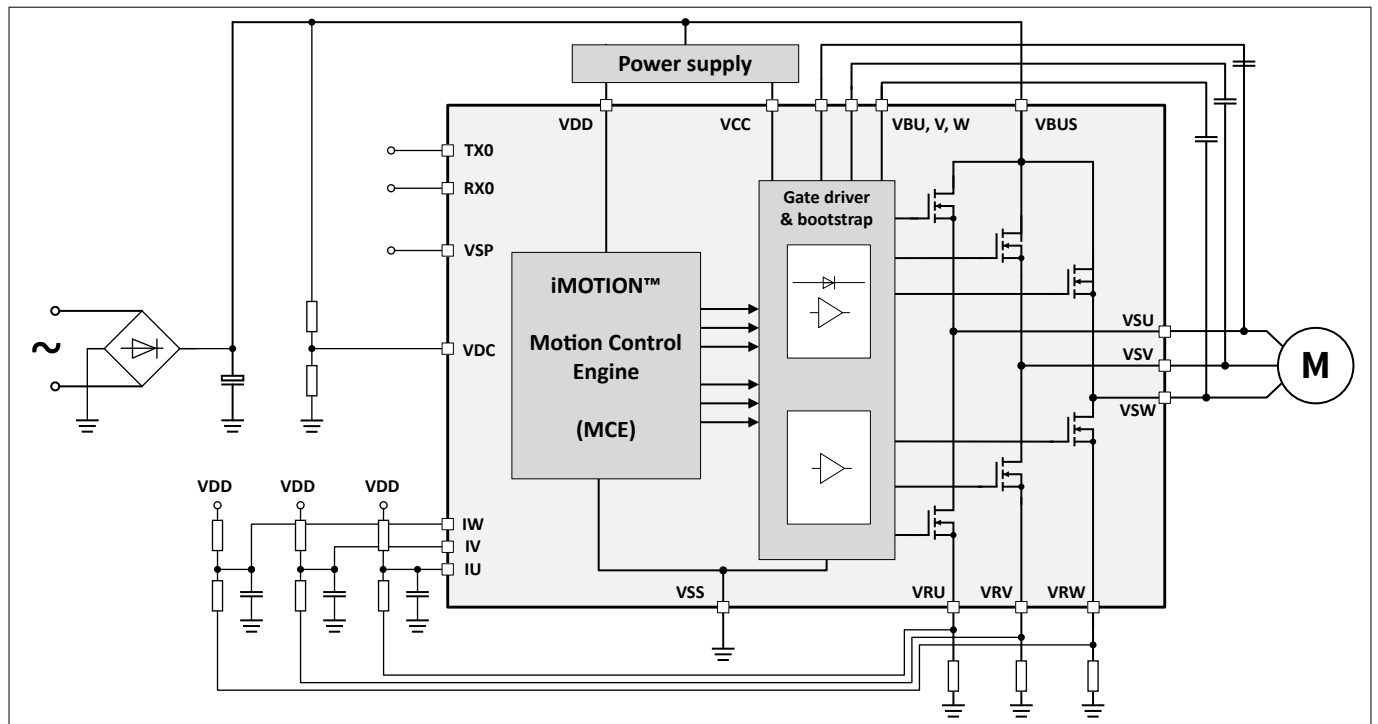
- 6 Ohm 500 V trench MOSFETs in version IMM10xx-015
- 1.4 Ohm 650 V CoolMOS™ in version IMM10xx-046 (600 V maximum voltage is defined by gate driver technology)
- 0.95 Ohm 650 V CoolMOS™ in version IMM10xx-056 (600 V maximum voltage is defined by gate driver technology)

**3.5 Application diagrams**



**Figure 6** Application block diagram using single shunt current sensing

**3 Functional description**



**Figure 7 Application block diagram using leg shunts current sensing**

**4 Electrical characteristics and parameters**

**4 Electrical characteristics and parameters**

**4.1 General parameters**

**4.1.1 Parameter Interpretation**

The parameters listed in this section represent partly the characteristics of the IMM100T and partly its requirements on the system. To aid interpreting the parameters easily when evaluating them for a design, they are indicated by the abbreviations in the “Symbol” column:

- **CC**  
Such parameters indicate **C**ontroller **C**haracteristics, which are distinctive feature of the IMM100T and must be regarded for a system design.
- **SR**  
Such parameters indicate **S**ystem **R**equirements, which must be provided by the application system in which the IMM100T is designed in.

**4.1.2 Absolute maximum ratings**

Stresses above the values listed under “Absolute Maximum Ratings” may cause permanent damage to the device. This is a stress rating only and functional operation of the device at these or any other conditions above those indicated in the operational sections of this specification is not implied. Exposure to absolute maximum rating conditions may affect device reliability.

**Table 3 Absolute maximum ratings**

Parameter	Symbol	Values		Unit	Note or Test Condition
		Min.	Max.		
Ambient temperature	$T_A$ SR	-40	105	°C	
Junction temperature	$T_J$ SR	-40	115	°C	Digital controller
		-40	150	°C	Gate driver, power transistors
Storage temperature	$T_{ST}$ SR	-40	125	°C	
Lead temperature (soldering, 30 seconds)	$T_L$ SR	---	260	°C	
Digital Controller voltage	$V_{DD}$ SR	-0.3	6	V	
Controller digital and analog pin voltage	$V_{ID}$ SR	-0.3	$V_{DD}+0.3$	V	
Input current on any controller pin during overload condition	$I_{IN}$ SR	-10	10	mA	
Absolute sum of all controller input currents during overload condition	$\Sigma I_{IN}$ SR	-50	50	mA	
Gate driver high-side floating rated voltage	$V_{B1,2,3}$ SR	-0.3	600	V	

**(table continues...)**

**4 Electrical characteristics and parameters**

**Table 3 (continued) Absolute maximum ratings**

Parameter	Symbol	Values		Unit	Note or Test Condition	
		Min.	Max.			
Gate driver low-side supply voltage	$V_{CC\ SR}$	-0.3	20	V		
MOSFET blocking voltage	$BV_{DSS}$	-015M	---	500	V	
		-046M, -056M	---	650	V	
Power module maximum voltage	$BV_{MODUL\ E}$	-015M	---	500	V	
		-046M, -056M	---	600	V	
DC output current per MOSFET	$I_O$	-015M	---	1	A	$T_C = 25^\circ\text{C}$
		-046M, -056M	---	4	A	
Pulsed output current	$I_{OP}$	-015M	---	6	A	Pulse width = 100 $\mu\text{s}$ , $T_C = 25^\circ\text{C}$ , Duty = 1%
		-046M	---	8.2	A	
		-056M	---	11	A	
Maximum power dissipation per MOSFET	$P_D$	-015M	---	11	W	Single MOSFET in TO220 package at $T_C = 25^\circ\text{C}$
		-046M	---	28.4	W	
		-056M	---	36.7	W	
Isolation voltage (1 min)	$V_{ISO}$	---	1500	$V_{RMS}$	---	

Note: Characterized, not tested at manufacturing.

Note: Voltages referenced to  $V_{SS}$  if not stated otherwise

**4.1.3 Pin Reliability in Overload**

When receiving signals from higher voltage devices, low-voltage devices experience overload currents and voltages that go beyond their own IO power supplies specification.

The table below defines overload conditions that will not cause any negative reliability impact if all the following conditions are met:

- full operation life-time is not exceeded
- [Operating Conditions](#) are met for
  - pad supply levels ( $V_{DD}$ )
  - temperature

If a pin current is outside of the [Operating Conditions](#) but within the overload conditions, then the parameters of this pin as stated in the Operating Conditions can no longer be guaranteed. Operation is still possible in most cases but with relaxed parameters.

Note: An overload condition on one or more pins does not require a reset.



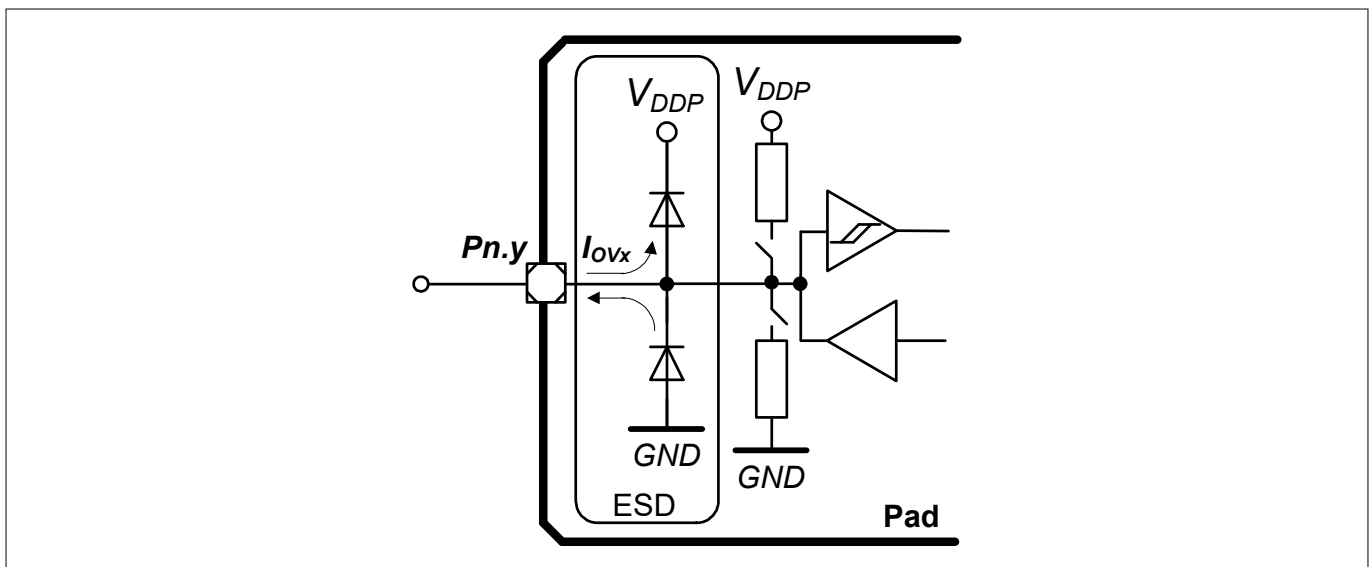
**4 Electrical characteristics and parameters**

*Note: A series resistor at the pin to limit the current to the maximum permitted overload current is sufficient to handle failure situations like short to battery.*

**Table 4 Overload Parameters**

Parameter	Symbol	Values			Unit	Note or Test Condition
		Min.	Typ.	Max.		
Input current on analog port pins during overload condition	$I_{OVA}$ SR	-3	-	3	mA	
Input current on any port pin during overload condition	$I_{OV}$ SR	-5	-	5	mA	
Absolute sum of all input currents during overload condition	$I_{OVS}$ SR	-	-	25	mA	

Figure 8 shows the path of the input currents during overload via the ESD protection structures. The diodes against  $V_{DD}$  and ground are a simplified representation of these ESD protection structures.



**Figure 8 Input Overload Current via ESD structures**

Table 5 and Table 6 list input voltages that can be reached under overload conditions. Note that the absolute maximum input voltages as defined in the Absolute maximum ratings must not be exceeded during overload.

**Table 5 PN-Junction Characteristics for positive Overload**

Pad Type	$I_{OV} = 5 \text{ mA}$
Standard, High-current, AN/DIG_IN	$V_{IN} = V_{DD} + (0.3 \dots 0.5) \text{ V}$ $V_{AIN} = V_{DD} + 0.5 \text{ V}$ $V_{AREF} = V_{DD} + 0.5 \text{ V}$

**4 Electrical characteristics and parameters**

**Table 6 PN-Junction Characteristics for negative Overload**

Pad Type	$I_{OV} = 5 \text{ mA}$
Standard, High-current, AN/DIG_IN	$V_{IN} = V_{SS} - (0.3 \dots 0.5) \text{ V}$ $V_{AIN} = V_{SS} - 0.5 \text{ V}$ $V_{AREF} = V_{SS} - 0.5 \text{ V}$

**4.1.4 Operating Conditions**

The following operating conditions must not be exceeded in order to ensure correct operation and reliability of the IMM100T. All parameters specified in the following tables refer to these operating conditions, unless noted otherwise.

**Table 7 Recommended Operating Conditions**

Parameter	Symbol	Values			Unit	Note or Test Condition
		Min.	Typ.	Max.		
Positive DC Bus Input Voltage	$V_{BUS \text{ SR}}$	-	-	480	V	
Gate Driver High Side Floating Supply Voltage	$V_{B1,2,3 \text{ SR}}$	$V_S + 12.5$	-	$V_S + 17.5$	V	
Gate Driver Low Side Supply Voltage	$V_{CC \text{ SR}}$	13.5	-	16.5	V	
Digital supply voltage <sup>1)</sup>	$V_{DD \text{ SR}}$	3.0	3.3	5.5	V	

<sup>1</sup> All supply pins must be driven with the same voltage.

**4 Electrical characteristics and parameters**

**4.2 DC characteristics**

**4.2.1 Input/Output Characteristics**

The table below provides the characteristics of the input/output pins of the controller.

*Note: These parameters are not subject to production test, but verified by design and/or characterization.*

*Note: Unless otherwise stated, input DC and AC characteristics, including peripheral timings, assume that the input pads operate with the standard hysteresis.*

**Table 8 Input/Output Characteristics (Operating Conditions apply)**

Parameter	Symbol		Limit Values		Unit	Test Conditions
			Min.	Max.		
Input low voltage on port pins (Standard Hysteresis)	$V_{ILPS}$	SR	–	$0.19 \times V_{DD}$	V	CMOS Mode
Input high voltage on port pins (Standard Hysteresis)	$V_{IHPS}$	SR	$0.7 \times V_{DD}$	–	V	CMOS Mode
Input low voltage on port pins (Large Hysteresis, scripting pins only)	$V_{ILPL}$	SR	–	$0.08 \times V_{DD}$	V	CMOS Mode
Input high voltage on port pins (Large Hysteresis, scripting pins only)	$V_{IHPL}$	SR	$0.85 \times V_{DD}$	–	V	CMOS Mode
Output low voltage on port pins	$V_{OLP}$	CC	–	1.0	V	$I_{OL} = 11 \text{ mA ( 5 V)}$ $I_{OL} = 7 \text{ mA (3.3 V)}$
			–	0.4	V	$I_{OL} = 5 \text{ mA (5 V)}$ $I_{OL} = 3.5 \text{ mA (3.3 V)}$
Output high voltage on port pins	$V_{OHP}$	CC	$V_{DD} - 1.0$	–	V	$I_{OH} = -10 \text{ mA (5 V)}$ $I_{OH} = -7 \text{ mA (3.3 V)}$
			$V_{DD} - 0.4$	–	V	$I_{OH} = -4.5 \text{ mA (5 V)}$ $I_{OH} = -2.5 \text{ mA (3.3 V)}$
Rise/fall time on standard pad	$t_R, t_F$	CC	–	12	ns	50 pF @ 5 V
			–	15	ns	50 pF @ 3.3 V.
Pin capacitance (digital inputs/outputs)	$C_{IO}$	CC	–	10	pF	
Pull-up/-down resistor on port pins (if enabled in software)	$R_{PUP}$	CC	20	50	k $\Omega$	$V_{IN} = V_{SS}$

**(table continues...)**

**4 Electrical characteristics and parameters**

**Table 8 (continued) Input/Output Characteristics (Operating Conditions apply)**

Parameter	Symbol		Limit Values		Unit	Test Conditions
			Min.	Max.		
Input leakage current <sup>2)</sup>	$I_{OZP}$	CC	-1	1	$\mu\text{A}$	$0 < V_{IN} < V_{DD}$ , $T_A 105^\circ\text{C}$
Maximum current per pin standard pin	$I_{MP}$	SR	-10	11	mA	-
Maximum current into $V_{DD}$ / out of $V_{SS}$	$I_{MVDD}$ / $I_{MVSS}$	SR	-	260	mA	

<sup>2)</sup> An additional error current ( $I_{INJ}$ ) will flow if an overload current flows through an adjacent pin.

**4 Electrical characteristics and parameters**

**4.2.2 Analog to Digital Converter (ADC)**

The following table shows the Analog to Digital Converter (ADC) characteristics. This specification applies to all analog input including the analog Hall sensor interface input (AHALLx+/AHALLx-, where x=1,2) as given in the pin configuration list.

*Note: These parameters are not subject to production test, but verified by design and/or characterization.*

**Table 9 ADC Characteristics (Operating Conditions apply)<sup>3)</sup>**

Parameter	Symbol	Values			Unit	Note or Test Condition
		Min.	Typ.	Max.		
Supply voltage range	V <sub>DD</sub> SR	3.0	–	5.5	V	
Analog input voltage range	V <sub>AIN</sub> SR	V <sub>SS</sub> - 0.05	–	V <sub>DD</sub> + 0.05	V	
Conversion time	t <sub>C12</sub> CC	–	1.0	–	μs	Defined by SW
Total capacitance of an analog input	C <sub>AIN</sub> CC	–	–	10	pF	
Total capacitance of the reference input	C <sub>AREFT</sub> CC	–	–	10	pF	
Sample time	t <sub>sample</sub> CC	–	333	–	ns	Defined by SW
RMS noise	EN <sub>RMS</sub> CC	–	1.5	–	LSB12	
DNL error	EA <sub>DNL</sub> CC	–	±2.0	–	LSB12	
INL error	EA <sub>INL</sub> CC	–	±4.0	–	LSB12	
Gain error	EA <sub>GAIN</sub> CC	–	±0.5	–	%	
Offset error	EA <sub>OFF</sub> CC	–	±8.0	–	mV	

**4.2.3 Analog comparator characteristics**

The table below shows the Analog Comparator characteristics.

*Note: These parameters are not subject to production test, but verified by design and/or characterization.*

**Table 10 Analog Comparator Characteristics (Operating Conditions apply)**

Parameter	Symbol		Values			Unit	Note or Test Conditions
			Min.	Typ.	Max.		
Input Voltage	V <sub>CMP</sub>	SR	-0.05	–	V <sub>DDP</sub> + 0.05	V	includes common mode and differential input voltages
Input Offset	V <sub>CMPOFF</sub>	CC	–	+/-3	–	mV	High power mode ΔV <sub>CMP</sub> < 200 mV
Input Hysteresis	V <sub>HYS</sub>	CC	–	+/-15	–	mV	Defined by SW

<sup>3)</sup> All parameters are defined for the full supply range if not stated otherwise.

**4 Electrical characteristics and parameters**

**4.2.4 Power Supply Current Controller**

The total power supply current defined below consists of a leakage and a switching component for the controller through the  $V_{DD}$  pin. The  $V_{CC}$  supply current is listed under the gate driver parameters.

Application relevant values are typically lower than those given in the following tables, and depend on the customer's system operating conditions (e.g. thermal connection or used application configurations).

*Note: These parameters are not subject to production test, but verified by design and/or characterization.*

**Table 11 Power supply parameter table  $V_{DD}= 5.0V$**

Parameter	Symbol	Values			Unit	Note or Test Condition
		Min.	Typ.	Max.		
Active mode current motor control only	$I_{DD1\ CC}$	–	10	20	mA	$T_a = 25^\circ C$
Active mode current motor control plus PFC	$I_{DD2\ CC}$	–	16	20	mA	$T_a = 25^\circ C$

**4.2.5 Flash Memory Parameters**

*Note: These parameters are not subject to production test, but verified by design and/or characterization.*

**Table 12 Flash Memory Parameters**

Parameter	Symbol	Values			Unit	Note or Test Condition
		Min.	Typ.	Max.		
Data Retention Time	$t_{RET\ CC}$	10			years	Max. 100 erase / program cycles
Erase Cycles	$N_{ECCY\ CC}$			$5 \cdot 10^4$	cycles	Sum of page and sector erase cycles a page sees
Total Erase Cycles	$N_{TECCY\ CC}$			$2 \cdot 10^6$	cycles	

**4 Electrical characteristics and parameters**

**4.2.6 Under voltage lockout DC characteristics**

*Note: These parameters are not subject to production test, but verified by design and/or characterization.*

**Table 13 Under voltage lockout DC characteristics**

$T_A = 25^\circ\text{C}$ , all voltage parameters are referenced to  $V_{SS}$  unless specified otherwise.

Parameter	Symbol	Values			Unit	Note or condition
		Min.	Typ.	Max.		
$V_{DD}$ brownout reset voltage	$V_{DDPBO}$	1.55	1.62	1.75	V	
$V_{DD}$ voltage to ensure defined pad states	$V_{DDPA}$	---	1.0	---	V	
Start-up time from power-on reset	$t_{SSW}$	---	260	---	$\mu\text{s}$	
BMI program time	$t_{BMI}$	---	8.25	---	ms	
$V_{CC}$ and $V_{BS}$ supply undervoltage positive going threshold - gate driver	$V_{CCUV+}$ $V_{BSUV+}$	8.0	8.9	9.8	V	
$V_{CC}$ and $V_{BS}$ supply undervoltage negative going threshold - gate driver	$V_{CCUV-}$ $V_{BSUV-}$	7.4	8.2	9.0	V	
$V_{CC}$ and $V_{BS}$ supply under voltage hysteresis – gate driver	$V_{CCUVH}$ $V_{BSUVH}$	---	0.7	---	V	

**4 Electrical characteristics and parameters**

**4.2.7 Power Supply Current Gate Driver**

The  $V_{CC}$  quiescent supply current and standby current consumptions are listed under the table.

Note: These parameters are not subject to production test, but verified by design and/or characterization.

**Table 14 Power supply parameter table;  $V_{CC}=V_{BS}=15.0V$**

Parameter	Symbol	Values			Unit	Note or Test Condition
		Min.	Typ.	Max.		
Quiescent $V_{BS}$ supply current	$I_{QBS\ CC}$	–	70	120	uA	$T_a = 25^\circ C$
Quiescent $V_{CC}$ supply current	$I_{QCC\ CC}$	–	3	3.5	mA	$T_a = 25^\circ C$
Standby current consumption	$I_{STBY\ CC}$	–	200	500	uA	$T_a = 25^\circ C$

**4.2.8 MOSFET static electrical characteristics**

**Table 15 MOSFET static electrical characteristics**

$V_{CC} = 15\ V, T_a = 25^\circ C$  unless otherwise specified.

Symbol	Parameter		Values			Unit	Note or condition
			Min.	Typ.	Max.		
$I_{LKH}$	Leakage current of high-side FETs in parallel	-015M	---	1	---	$\mu A$	$V_{DS} = 500\ V$
		-046M	---	1	---		$V_{DS} = 650V$
		-056M					
$I_{LKL}$	Leakage current of low-side FETs with gate drive IC in parallel	-015M	---	4	---	$\mu A$	$V_{DS} = 500\ V$
		-046M	---	4	---		$V_{DS} = 650V$
		-056M					
$R_{DS(ON)}$	Drain to source ON resistance	-015M	---	4.8	6	$\Omega$	$V_{GS} = 10\ V,$ $I_D = 1.5\ A$
		-046M	---	1.26	1.4		
		-056M	---	0.855	0.95		
$I_{DSS}$	Zero gate voltage drain current	-015M	---	---	1	$\mu A$	$V_{DS} = 500\ V,$ $V_{GS} = 0\ V$
		-046M, -056M	---	---	1		$V_{DS} = 650\ V,$ $V_{GS} = 0\ V$
$V_{SD}$	MOSFET diode forward voltage drop	-015M	---	0.8	---	V	$V_{GS} = 0\ V,$ $I_F = ???\ A$
		-046M	---	0.9	---		$V_{GS} = 0\ V,$ $I_F = 1.5\ A$
		-056M	---	0.9	---		$V_{GS} = 0\ V,$ $I_F = 2.2\ A$

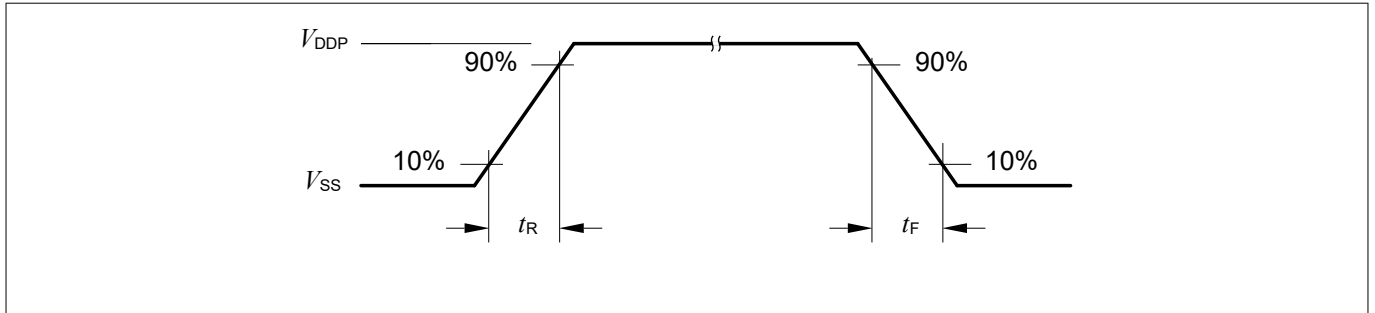
Note: Characterized, not tested at manufacturing.



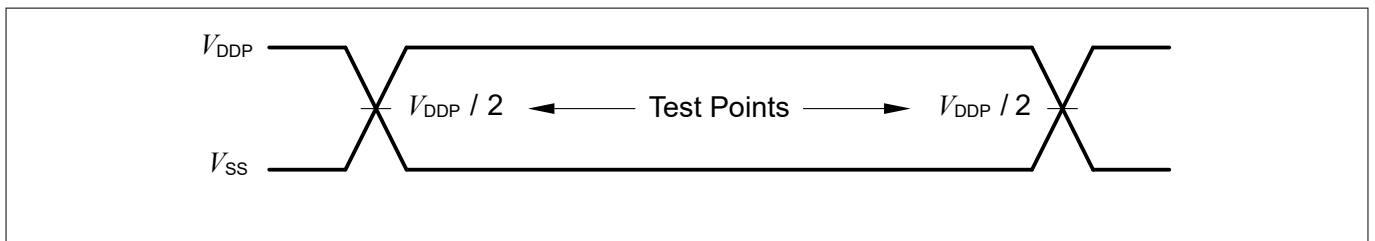
**4 Electrical characteristics and parameters**

**4.3 AC characteristics**

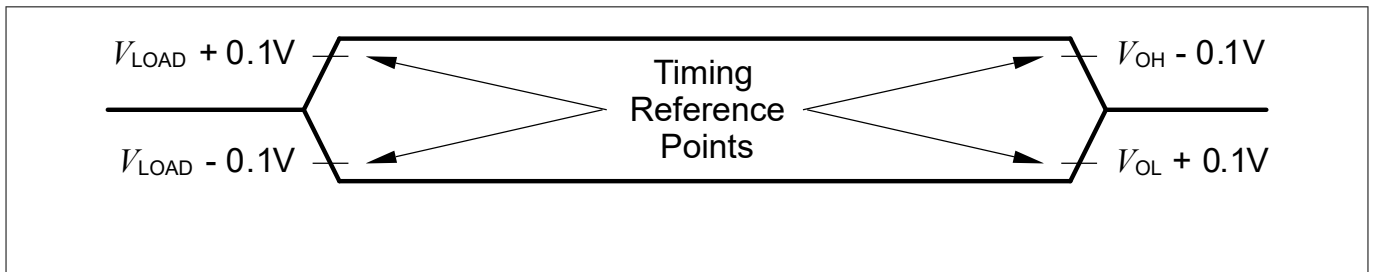
**4.3.1 Testing Waveforms**



**Figure 9 Rise/Fall Time Parameters**



**Figure 10 Testing Waveform, Output Delay**



**Figure 11 Testing Waveform, Output High Impedance**

**4.3.2 Power-Up and Supply Threshold Characteristics**

This chapter provides the characteristics of the supply threshold for the controller.

The guard band between the lowest valid operating voltage and the brownout reset threshold provides a margin for noise immunity and hysteresis. The electrical parameters may be violated while  $V_{DD}$  is outside its operating range.

The brownout detection triggers a reset within the defined range. The prewarning detection can be used to trigger an early warning and issue corrective and/or fail-safe actions in case of a critical supply voltage drop.

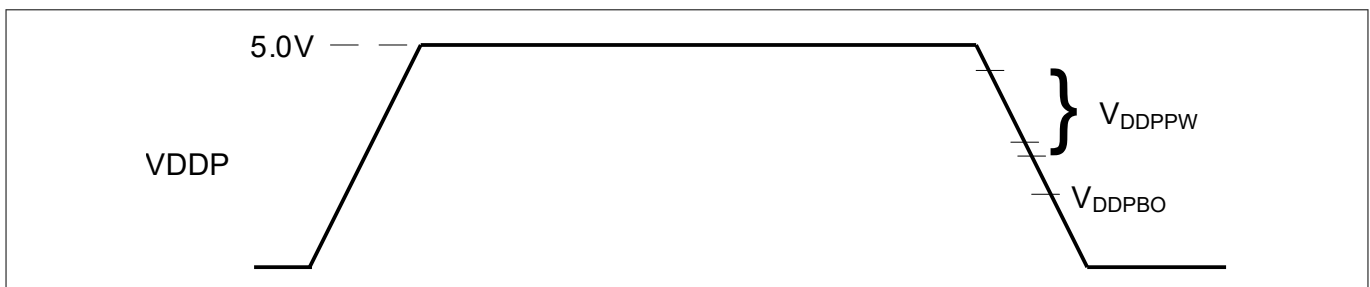
*Note: These parameters are not subject to production test, but verified by design and/or characterization.*

*Note: Operating Conditions apply.*

**4 Electrical characteristics and parameters**

**Table 16 Power-Up and Supply Threshold Parameters**

Parameter	Symbol	Values			Unit	Note or Test Condition
		Min.	Typ.	Max.		
$V_{DD}$ ramp-up time	$t_{RAMPUP}$ SR	$V_{DD}/S_{VDDrise}$	–	$10^7$	$\mu s$	
$V_{DD}$ slew rate	$S_{VDDOP}$ SR	0	–	0.1	$V/\mu s$	Slope during normal operation
	$S_{VDD10}$ SR	0	–	10	$V/\mu s$	Slope during fast transient within +/-10% of $V_{DD}$
	$S_{VDDrise}$ SR	0	–	10	$V/\mu s$	Slope during power-on or restart after brownout event
	$S_{VDDfall}$ <sup>4)</sup> SR	0	–	0.25	$V/\mu s$	Slope during supply falling out of the +/-10% limits <sup>5)</sup>
$V_{DD}$ prewarning voltage	$V_{DDPW}$ CC	2.1	2.25	2.4	V	ANAVDEL.VDEL_SELECT = 00 <sub>B</sub>
		2.85	3	3.15	V	ANAVDEL.VDEL_SELECT = 01 <sub>B</sub>
		4.2	4.4	4.6	V	ANAVDEL.VDEL_SELECT = 10 <sub>B</sub>
$V_{DD}$ brownout reset voltage	$V_{DDBO}$ CC	1.55	1.62	1.75	V	calibrated, before user code starts running
$V_{DD}$ voltage to ensure defined pad states	$V_{DDA}$ CC	–	1.0	–	V	
Start-up time from power-on reset	$t_{SSW}$ CC	–	260	–	$\mu s$	Time to the first user code instruction <sup>6)</sup>
Start-up time to PWM on	$t_{PWMON}$ CC	5.2	–	360	ms	Time to PWM enabled



**Figure 12 Supply Threshold Parameters**

<sup>4</sup> A capacitor of at least 100 nF has to be added between VDD and VSS to fulfill the requirement as stated for this parameter.  
<sup>5</sup> Valid for a 100 nF buffer capacitor connected to supply pin where current from capacitor is forwarded only to the chip. A larger capacitor value has to be chosen if the power source sink a current.  
<sup>6</sup> This values does not include the ramp-up time. During startup firmware execution, MCLK is running at 48 MHz and the clocks to peripheral as specified in register CGATSTAT0 are gated.

## 4 Electrical characteristics and parameters

### 4.3.3 On-Chip Oscillator Characteristics

Table 17 provides the characteristics of the 96 MHz digital controlled oscillator DCO1. The DCO1 is used as the time base during normal operation.

Note: These parameters are not subject to production test, but verified by design and/or characterization.

**Table 17 96 MHz DCO1 Characteristics**

Parameter	Symbol	Limit Values			Unit	Test Conditions
		Min.	Typ.	Max.		
Nominal frequency	$f_{\text{NOM CC}}$	-	96	-	MHz	under nominal conditions after trimming
Accuracy with adjustment algorithm <sup>7)</sup> based on temperature sensor	$\Delta f_{\text{LTTS CC}}$	-0.6	-	+0.6	%	with respect to $f_{\text{NOM}}(\text{typ})$ , $T_A$ from 0°C to 105°C
		-1.9	-	+1.0	%	with respect to $f_{\text{NOM}}(\text{typ})$ , $T_A$ from -25°C to 105°C
		-2.6	-	+1.3	%	with respect to $f_{\text{NOM}}(\text{typ})$ , $T_A$ from -40°C to 105°C
Accuracy	$\Delta f_{\text{LT CC}}$	-1.7	-	+3.4	%	with respect to $f_{\text{NOM}}(\text{typ})$ , $T_A$ from 0°C to 85°C
		-3.9	-	+4.0	%	with respect to $f_{\text{NOM}}(\text{typ})$ , $T_A$ from -40°C to 105°C

Table 18 provides the characteristics of the 32 kHz digital controlled oscillator used internally as a secondary clock source for the internal watchdog.

**Table 18 32 kHz DCO2 Characteristics**

Parameter	Symbol	Limit Values			Unit	Test Conditions
		Min.	Typ.	Max.		
Nominal frequency	$f_{\text{NOM CC}}$	-	32.75	-	kHz	under nominal conditions <sup>8)</sup> after trimming
Accuracy	$\Delta f_{\text{LT CC}}$	-1.7	-	+3.4	%	with respect to $f_{\text{NOM}}(\text{typ})$ , $T_A$ from 0°C to 85°C
		-3.9	-	+4.0	%	with respect to $f_{\text{NOM}}(\text{typ})$ , $T_A$ from -40°C to 105°C

<sup>7</sup> MCE version newer or equal to V1.03.00, clock adjustment algorithm for improved accuracy enabled

<sup>8</sup> The deviation is relative to the factory trimmed frequency at nominal  $V_{\text{DC}}$  and  $T_A = +25^\circ\text{C}$ .

**4 Electrical characteristics and parameters**

**4.3.4 MOSFET dynamic electrical characteristics**

**Table 19 Dynamic electrical characteristics MOSFETs**

$V_{CC} = 15\text{ V}$ ,  $T_A = 25^\circ\text{C}$ , all voltage parameters are referenced to  $V_{SS}$  unless otherwise specified.

Symbol	Parameter	Values			Unit	Note or condition
		Min.	Typ.	Max.		
$E_{ON}$	Switching energy, turn on condition	-015M	---	20	---	$\mu\text{J}$ $T_J = 25^\circ\text{C}$ , $V^+ = 300\text{ V}$ , $I_D = 0.5\text{ A}$
		-046M	---	30.8	---	
		-056M	---	36.9	---	
$E_{OFF}$	Switching energy, turn off condition	-015M	---	2.43	---	$\mu\text{J}$ $T_J = 25^\circ\text{C}$ , $V^+ = 300\text{ V}$ , $I_D = 0.5\text{ A}$
		-046M	---	1.36	---	
		-056M	---	2.02	---	
$E_{REC}$	Switching energy, diode reverse recovery	-015M	---	5.87	---	$\mu\text{J}$ $T_J = 25^\circ\text{C}$ , $V^+ = 300\text{ V}$ , $I_D = 0.5\text{ A}$
		-046M	---	3.42	---	
		-056M	---	3.78	---	
$E_{ON}$	Switching energy, turn on condition	-015M	---	26.5	---	$\mu\text{J}$ $T_J = 95^\circ\text{C}$ , $V^+ = 300\text{ V}$ , $I_D = 0.5\text{ A}$
		-046M	---	42.1	---	
		-056M	---	54.8	---	
$E_{OFF}$	Switching energy, turn off condition	-015M	---	3.89	---	$\mu\text{J}$ $T_J = 95^\circ\text{C}$ , $V^+ = 300\text{ V}$ , $I_D = 0.5\text{ A}$
		-046M	---	4.06	---	
		-056M	---	2.25	---	
$E_{REC}$	Switching energy, diode reverse recovery	-015M	---	7	---	$\mu\text{J}$ $T_J = 95^\circ\text{C}$ , $V^+ = 300\text{ V}$ , $I_D = 0.5\text{ A}$
		-046M	---	2.06	---	
		-056M	---	5.5	---	

Note: Characterized, not tested at manufacturing.

**4.3.5 MOSFET avalanche characteristics**

**Table 20 MOSFET avalanche characteristics**

Symbol	Parameter	Values			Unit	Note or condition	
		Min.	Typ.	Max.			
$E_{AS}$	Single pulse avalanche energy	-015M	---	---	49	$\text{mJ}$ $V^+ = 100\text{ V}$ , $I_D = 1.7\text{ A}$	
		-046M	---	---	26		$V^+ = 50\text{ V}$ , $I_D = 0.6\text{ A}$
		-056M	---	---	50		$V^+ = 50\text{ V}$ , $I_D = 1\text{ A}$

#### **4 Electrical characteristics and parameters**

*Note: Characterized, not tested at manufacturing.*

## 4 Electrical characteristics and parameters

### 4.4 Motor Control Parameters

The following values are given for reference only. Concrete parameters are defined in the iMOTION™ Motion Control Engine (MCE) software.

#### 4.4.1 PWM Characteristics

**Table 21** Electrical characteristics

Parameter	Symbol	Values			Unit	Note or test condition
		Min.	Typ.	Max.		
Motor PWM Frequency <sup>9)</sup>	$f_{\text{PWM}}$	5	16	40	kHz	

#### 4.4.2 Current Sensing

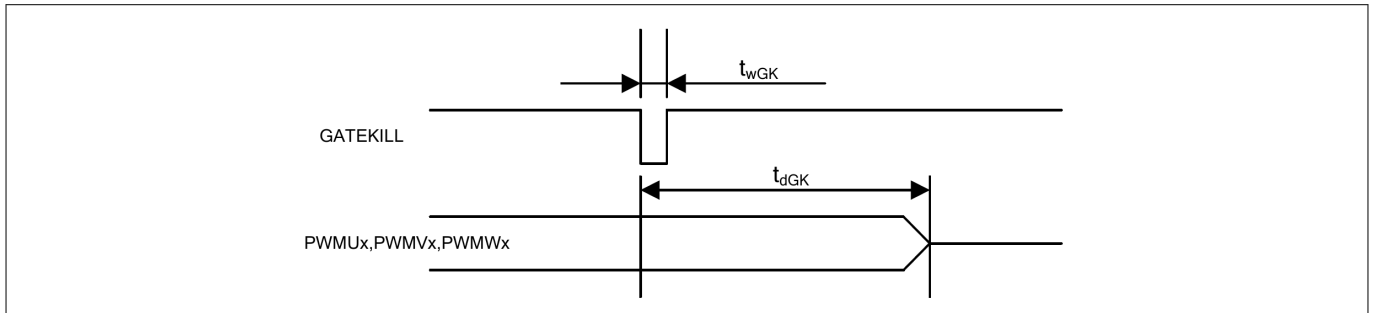
**Table 22** Motor Current Sensing

Parameter	Symbol	Values			Unit	Note or test condition
		Min.	Typ.	Max.		
Input range	$I_{\text{PWM}}$	$V_{\text{SS}}-0.05$	-	$V_{\text{DD}}+0.05$	V	
Configurable analog gain		-	1/ 3/ 6/ 12	-		
Itrip input range	$I_{\text{PWMTRIP}}$	$V_{\text{SS}}-0.05$	-	$V_{\text{DD}}+0.05$	V	
Itrip offset		-	$\pm 8$	-	mV	
Input capacitance	$C_{\text{REF}}$	-	-	10	pF	REFU, REFV, REFW capacitor

<sup>9</sup> Actual min. and max. limits defined in resp. software version

**4 Electrical characteristics and parameters**

**4.4.3 Fault Timing**



**Figure 13** Fault timing

**Table 23** Gatekill timing

Parameter	Symbol	Values			Unit	Note or test condition
		Min.	Typ.	Max.		
GK pulse width	$t_{wGK}$	1	-	-	$\mu\text{s}$	
GK input to PWM shutoff	$t_{dGK}$	-	1.3	-	$\mu\text{s}$	
Motor Fault reset timing	$t_{\text{RESET}}$	-	1.84	-	ms	fault reset command via UART to PWM reactivation
MCE digital ITRIP filter window	$t_{\text{PMMOFF}}$	0.075	1.0	10	$\mu\text{s}$	Configurable in software

*Note:* The ITRIP filter window must be configured according to the rated short circuit withstand time of the respective power stage taking into consideration any delay in external circuitry. For iMOTION™ devices with integrated power stage the value is specified in the Absolute maximum ratings of the device.

**4 Electrical characteristics and parameters**

**4.5 Power Factor Correction (PFC) parameters**

The parameters specified for the power factor correction only refer to products that have the respective control algorithm integrated. The PFC switching frequency is configurable and the range depends on the concrete firmware version.

**4.5.1 Boost PFC characteristics**

**Table 24 Electrical characteristics**

Parameter	Symbol	Values			Unit	Note or test condition
		Min.	Typ.	Max.		
PFC frequency	f <sub>PFC</sub>	-	20	50	kHz	MCE rev. 1.3
		-	40	120		MCE rev. 5.1

**4.5.2 Totem Pole PFC characteristics**

**Table 25 Electrical characteristics**

Parameter	Symbol	Values			Unit	Note or test condition
		Min.	Typ.	Max.		
PFC frequency	f <sub>PFC</sub>	-	40		kHz	Max defined by SW

**4.5.3 PFC Current Sensing**

The current sensing specification applies to both PFC algorithms, boost mode and totem pole.

**Table 26 PFC Current Sensing**

Parameter	Symbol	Values			Unit	Note or test condition
		Min.	Typ.	Max.		
Input range	I <sub>PFC</sub>	V <sub>SS</sub> - 0.05	-	V <sub>DD</sub> + 0.05	V	V <sub>DD</sub> = 3.3 or 5.0 V
Configurable analog gain		-	1/ 3/ 6/ 12	-		
PFC Itrip input range	I <sub>PFCT RIP</sub>	V <sub>SS</sub> -0.05	-	V <sub>DD</sub> + 0.05	V	V <sub>DD</sub> = 3.3 or 5.0 V
Itrip offset		-	± 3	-	mV	Input voltage difference > 200mV
Input capacitance	C <sub>REF</sub>	-	-	10	pF	PFCREF capacitor

**4.5.4 PFC Fault Timing**

**Table 27 PFC Fault timing**

Parameter	Symbol	Values			Unit	Note or test condition
		Min.	Typ.	Max.		
Itrip to PFC PWM shutoff	t <sub>PFCOFF</sub>	-	1.18	-	µs	

**(table continues...)**



**4 Electrical characteristics and parameters**

**Table 27 (continued) PFC Fault timing**

Parameter	Symbol	Values			Unit	Note or test condition
		Min.	Typ.	Max.		
PFC fault reset timing	$t_{\text{RESET}}$	-	1.0	-	ms	fault reset command via UART to PWM reactivation

**4 Electrical characteristics and parameters**

**4.6 Device Interfaces**

iMOTION™ devices provide several interfaces to either control the motor drive in the application or report back its status. The availability of a specific interface depends upon the concrete device chosen as well as the version of the Motion Control Engine (MCE) applied. The following sections and tables specify these interfaces as well as the respective limits. The configuration settings for these interfaces are described in the MCE Reference Manual.

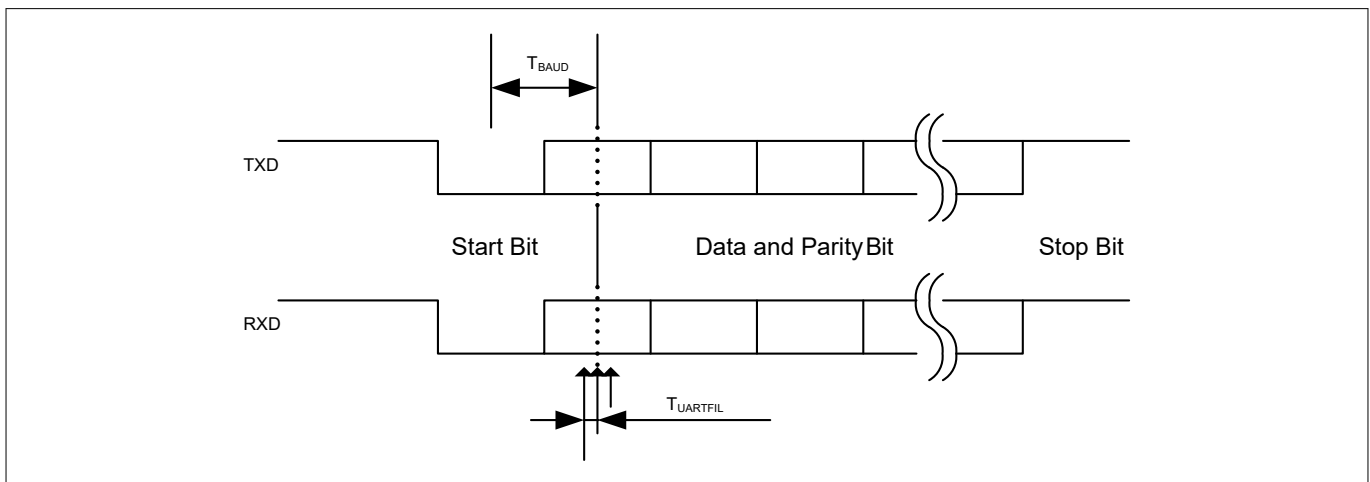
*Note: These parameters are not subject to production test, but verified by design and/or characterization. Operating conditions apply.*

**4.6.1 UART Interface**

The UART interface is configured as given below.

**Table 28 Electrical characteristics**

Parameter	Symbol	Values			Unit	Note or test condition
		Min.	Typ.	Max.		
UART baud rate		1200	57600	-	Bps	
UART mode		-	8-N-1	-		data-parity-stop bit
UART sampling filter period <sup>10)</sup>	$T_{UARTFIL}$	-	1/16	-	$T_{BAUD}$	

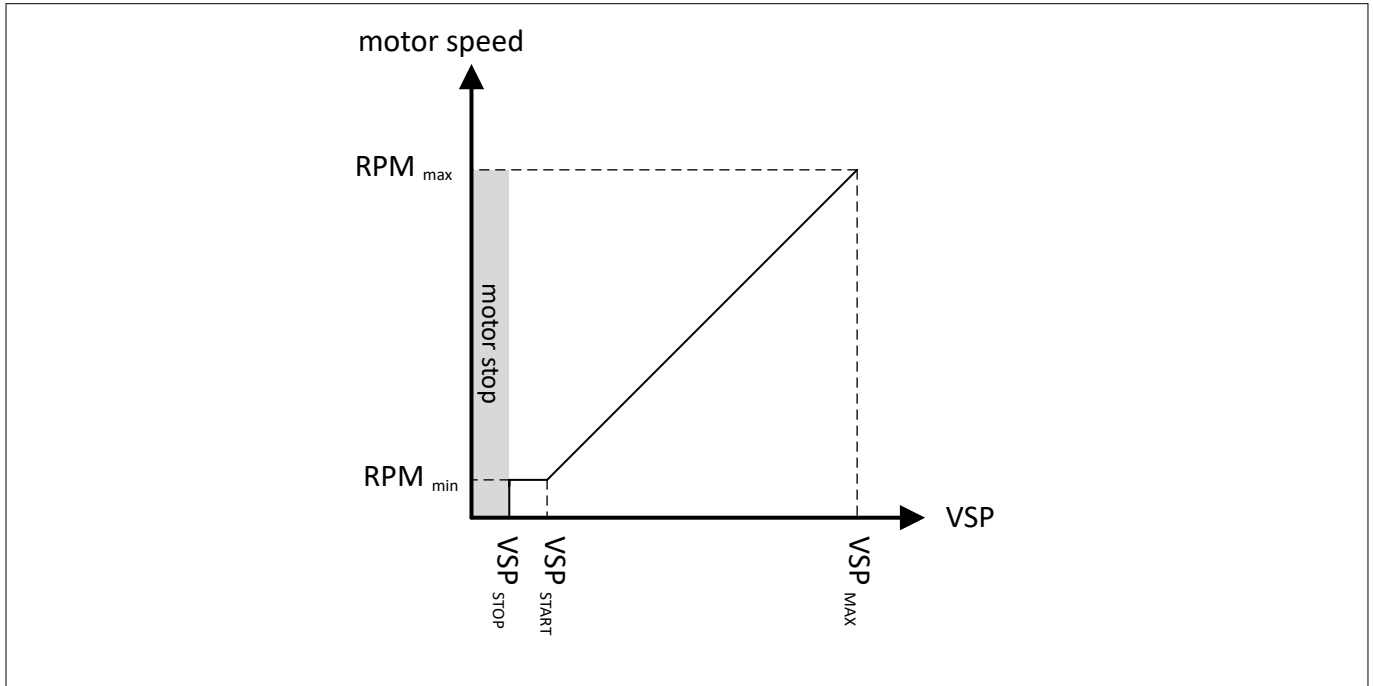


**Figure 14 UART timing**

<sup>10)</sup> Each bit including start and stop bit is sampled three times at center of a bit at an interval of  $1/16 T_{BAUD}$ . If three sampled values do not agree, then UART noise error is generated.

**4 Electrical characteristics and parameters**

**4.6.2 Analog Speed Input**



**Figure 15 VSP analog control mode**

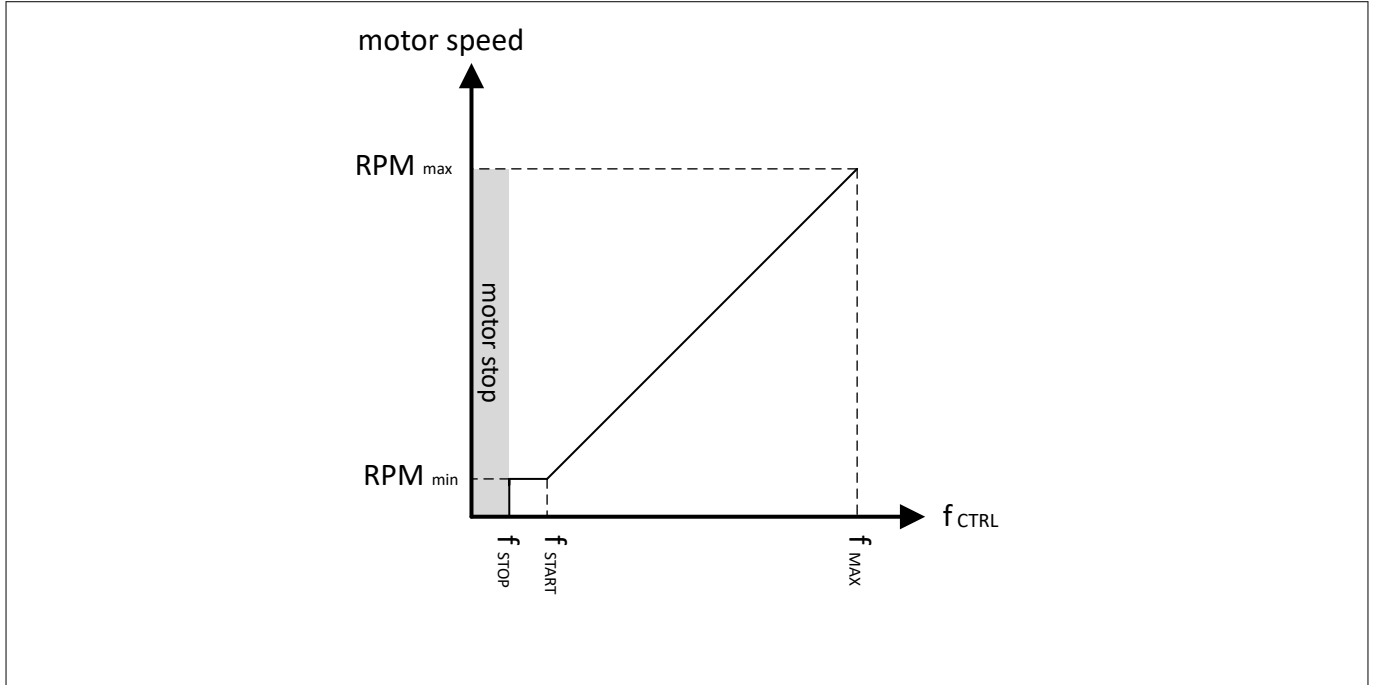
**Table 29 Analog Speed Control Voltage (VSP)**

Parameter	Symbol	Values			Unit	Note or test condition
		Min.	Typ.	Max.		
Motor start voltage	$VSP_{START}$	-	1.2	-	V	Configured $VSP_{START}=1.0V$
Motor stop voltage	$VSP_{STOP}$	-	1.0	-	V	Configured $VSP_{STOP}=1.0V$
Motor max voltage	$VSP_{MAX}$	-	4.9	4.95	V	$V_{DD}=5.0V$
VSP active to PWM start	$t_{START}$	-	44	-	ms	
VSP inactive to PWM stop	$t_{STOP}$	-	16	-	ms	

**4 Electrical characteristics and parameters**

**4.6.3 Frequency Input**

In frequency input control mode, the motor operations like motor start, motor stop and speed change are controlled by applying a square wave frequency signal on a digital input pin.



**Figure 16** Frequency input control mode

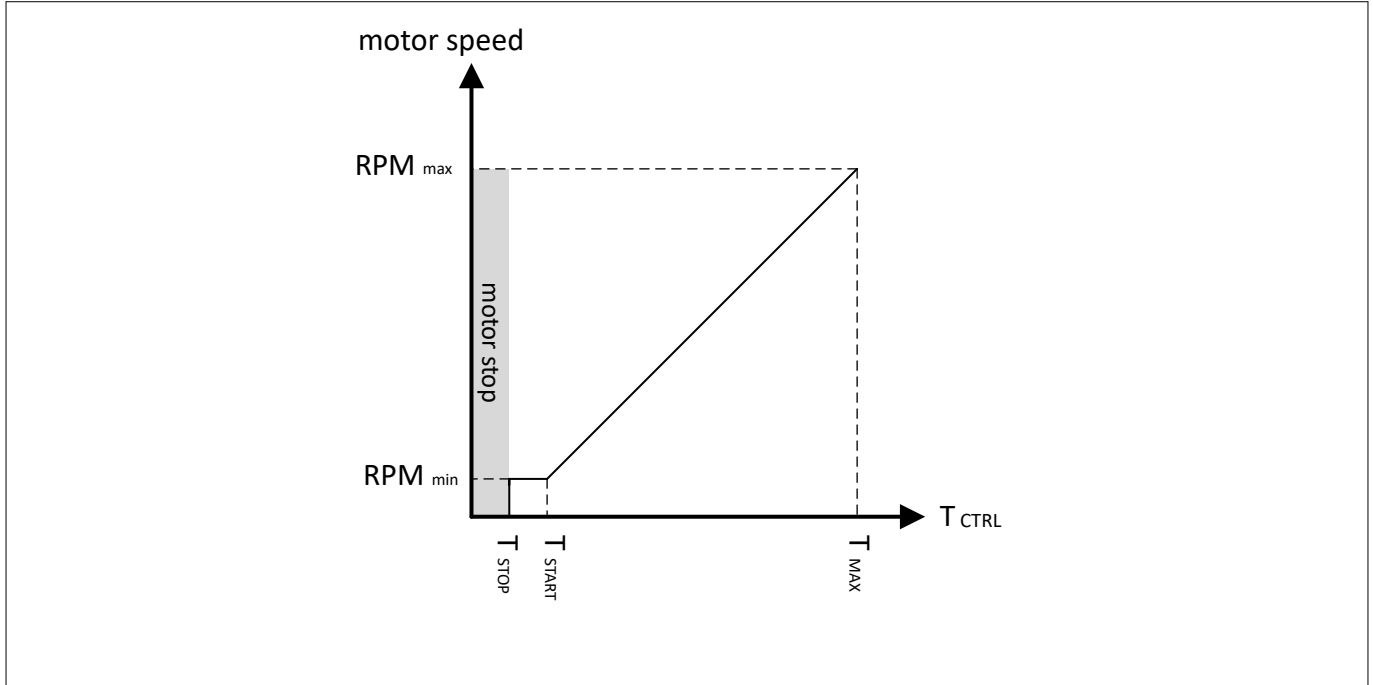
**Table 30** Frequency Control Mode

Parameter	Symbol	Values			Unit	Note or test condition
		Min.	Typ.	Max.		
Motor start frequency	$f_{START}$	-	100	360	Hz	$f_{START} > f_{STOP}$
Motor stop frequency	$f_{STOP}$	-	50	-	Hz	
Motor max speed frequency	$f_{MAX}$	-	-	1000	Hz	
Frequency input duty cycle	$T_{DUTY}$	10	-	90	%	

**4 Electrical characteristics and parameters**

**4.6.4 Duty Cycle Input**

In duty cycle input control mode, the motor operations like motor start, stop and speed change are controlled by varying the duty cycle of a rectangular wave signal on a digital input pin.



**Figure 17** Duty cycle input control mode

**Table 31** Duty Cycle Control Mode

Parameter	Symbol	Values			Unit	Note or test condition
		Min.	Typ.	Max.		
Input signal frequency	$f_{DUTY}$	5	1000	20000	Hz	
Motor start duty cycle	$T_{START}$	-	10	-	%	$T_{START} > T_{STOP}$
Motor stop duty cycle	$T_{STOP}$	-	5	-	%	
Motor max duty cycle	$T_{MAX}$	-	95	-	%	

**5 Device and package specifications**

**5 Device and package specifications**

**5.1 Quality declaration**

**Table 32 Quality Parameters**

Parameter	Symbol	Limit Values		Unit	Notes
		Min.	Max.		
Moisture sensitivity level	MSL CC	–	3	–	JEDEC J-STD-020D
Soldering temperature	$T_{SDR}$ SR	–	260	°C	JEDEC J-STD-020D

**5.2 SBSL and Chip-IDs**

The table below gives the IDs for the individual devices in the IMM100T family. Depending upon the mode either the SBSL-ID (secure boot loader) or the Chip-ID should be used to identify the device. For details refer to the Reference Manual or the iMOTION™ Programming Manual.

**Table 33 SBSL-IDs and Chip-IDs**

Product Type	Package	Chip-ID	SBSL-ID
IMM101T-015M	QFN12x12	0x31010150	021b53d63e0a7866b8ee0e9e63b7fea1
IMM101T-046M	QFN12x12	0x31010460	02f091428614b7ed3da4f6bc375b97f9
IMM101T-056M	QFN12x12	0x31010560	02eae31caf13e13d3047581f168b5a12
IMM102T-015M	QFN12x12	0x31020150	02d71062b66a3e09d3aaf7352e58ae51
IMM102T-046M	QFN12x12	0x31020460	02981cc1339fb18f3b694cd11d01e771
IMM102T-056M	QFN12x12	0x31020560	0299c1b0ddd069e994dab332e586b253

**5.3 Thermal characteristics**

*Note: The value of  $R_{th(J-amb)}$  has been obtained under the following testing condition:  $t_{amb} = 25^{\circ}C$ ,  $t_{hotspot} = 51.6^{\circ}C$  and a dissipated power of 1 W. A FR4 PCB with 2 oz copper has been used and the PCB layout is shown in the user manual of EVAL-IMM101 board.*

**Table 34 Thermal characteristics**

Parameter	Symbol	Values			Unit	Note or test condition
		Min.	Typ.	Max.		
Total thermal resistance junction to ambient	$R_{th(J-amb)}$		27.7		°C/W	

*Note: Characterized, not tested at manufacturing.*

**5.4 Thermal characterization**

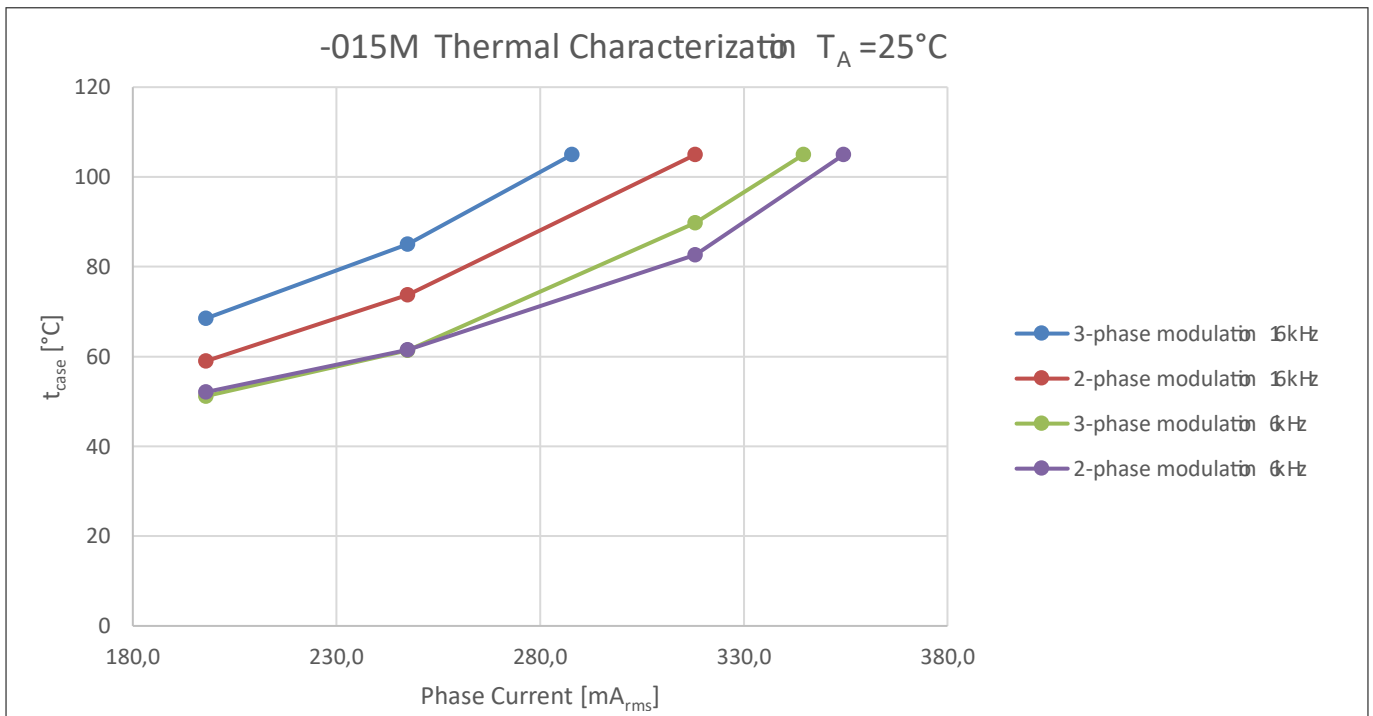
The following figures show the thermal characterizations of the three part numbers under the following conditions:

**5 Device and package specifications**

- Ambient temperature ( $T_A$ )
  - Figure 18, Figure 19, Figure 20:  $T_A = 25^\circ\text{C}$
  - Figure 21, Figure 22, Figure 23:  $T_A = 60^\circ\text{C}$
- Different phase current values until the case reaches  $105^\circ\text{C}$
- Two PWM frequencies (6 kHz and 16 kHz)
- Two different modulation types (3-phase modulation and 2-phase flat bottom modulation)

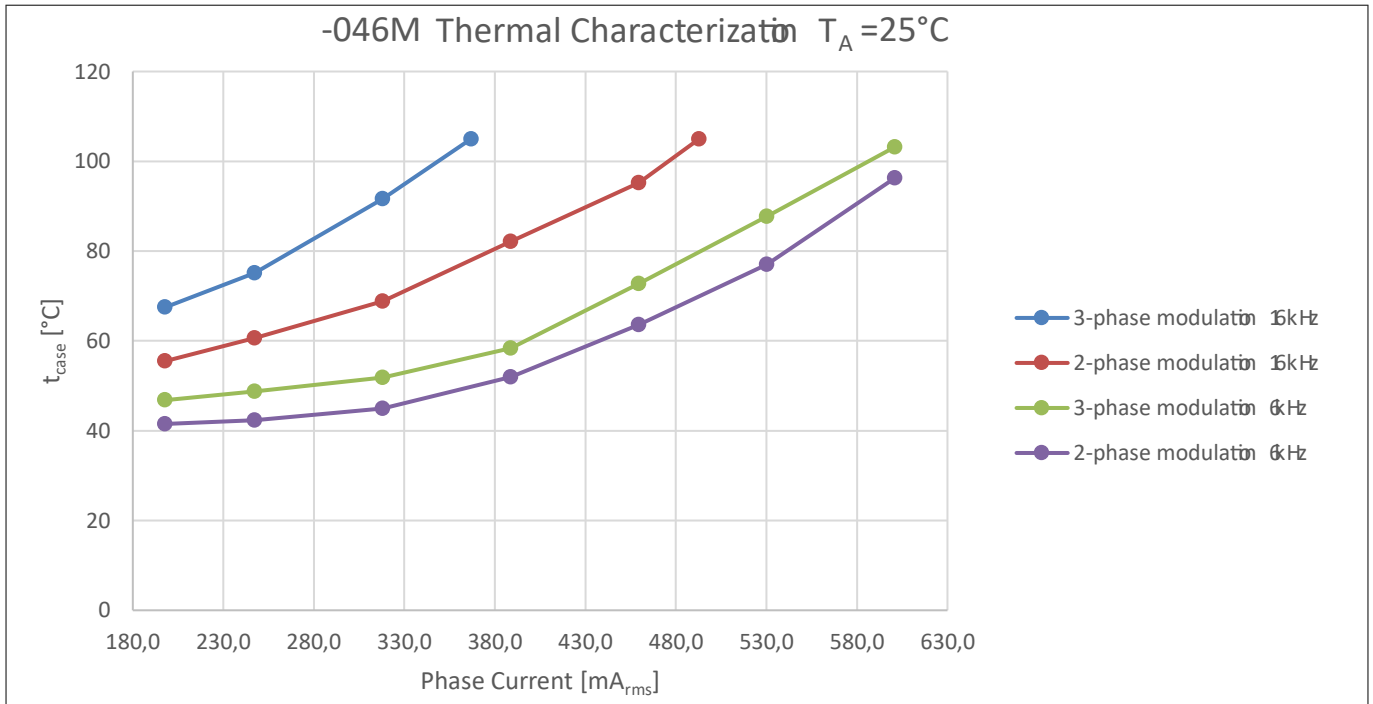
2-phase flat bottom modulation allows the reduction of the switching losses compared with 3-phase SVPWM (symmetrical placement of zero vectors). For the test with  $t_{amb} = 60^\circ\text{C}$ , the 3-phase modulation has not been used.

For all the tests, the phase current has been limited to  $600\text{ mA}_{\text{rms}}$  in order to avoid damage to the motor used for the tests. A FR4 PCB with 2 oz copper has been used and the PCB layout is shown in the Thermal Characteristics.

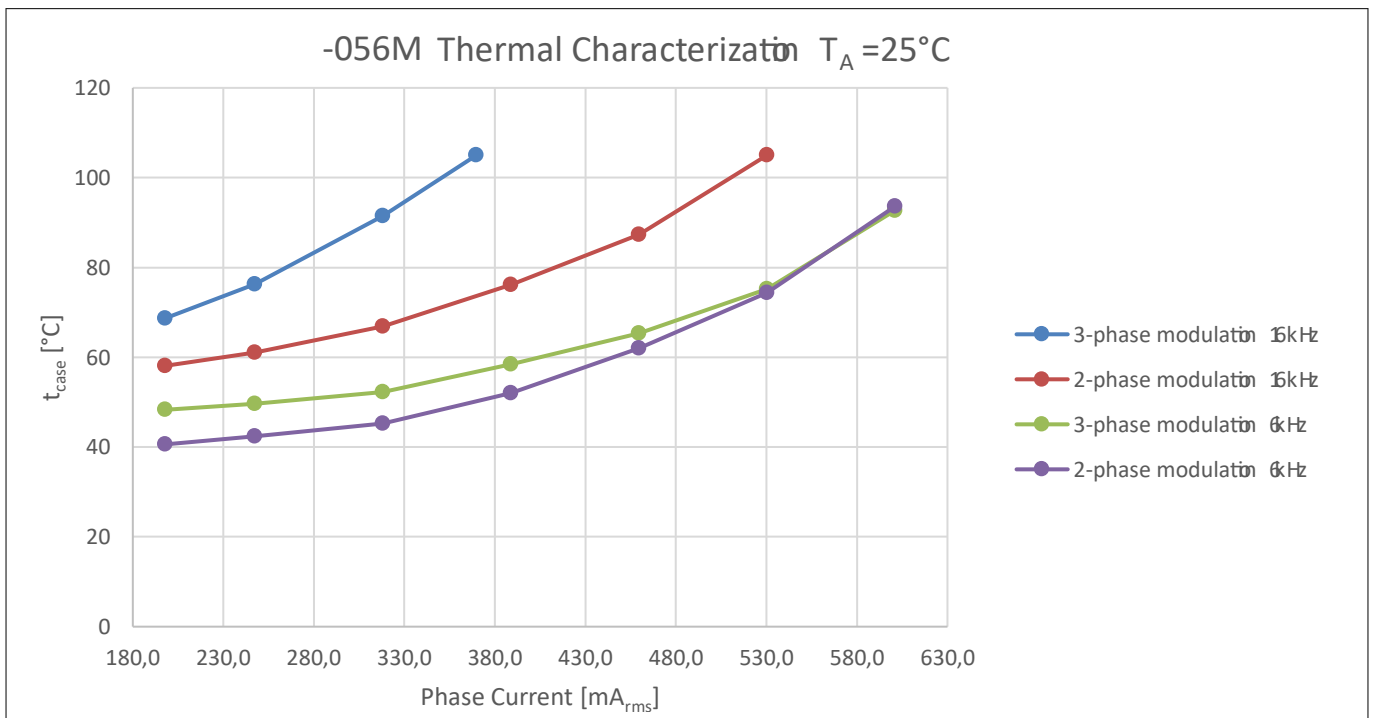


**Figure 18** IMM100T-015M thermal characterization,  $T_A = 25^\circ\text{C}$ , different phase current values until the case reaches  $105^\circ\text{C}$ , FR4 PCB with 2oz copper

**5 Device and package specifications**



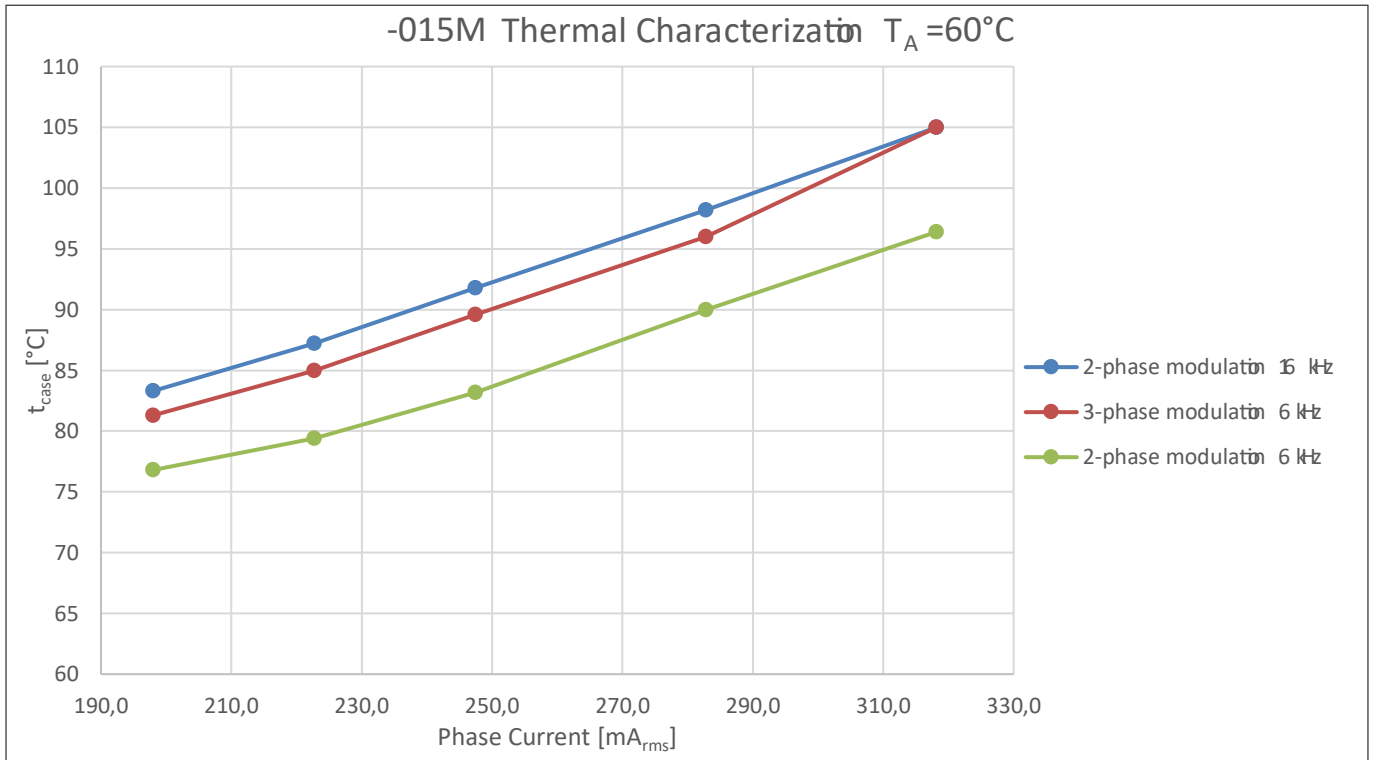
**Figure 19** IMM100T-046M thermal characterization,  $T_A = 25^\circ\text{C}$ , different phase current values until the case reaches  $105^\circ\text{C}$ , FR4 PCB with 2oz copper



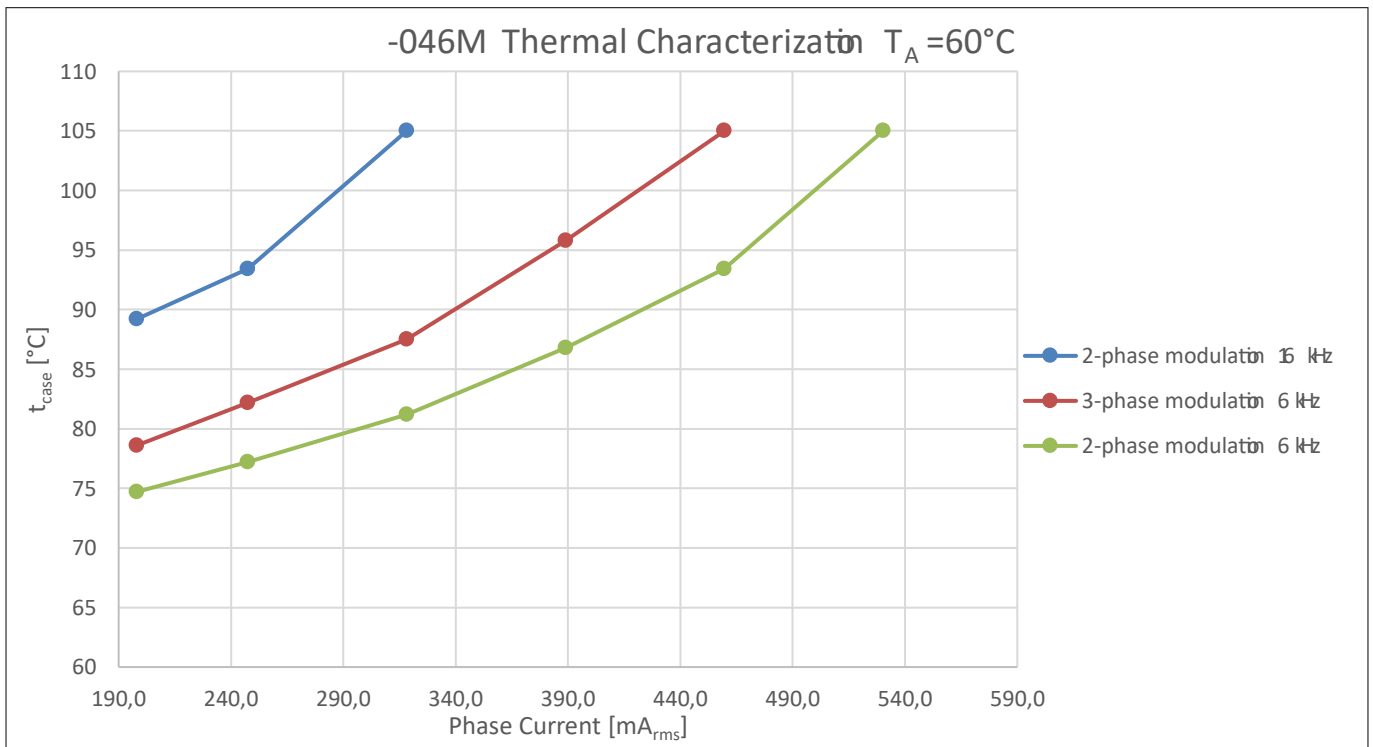
**Figure 20** IMM100T-056M thermal characterization,  $T_A = 25^\circ\text{C}$ , different phase current values until the case reaches  $105^\circ\text{C}$ , FR4 PCB with 2oz copper



**5 Device and package specifications**

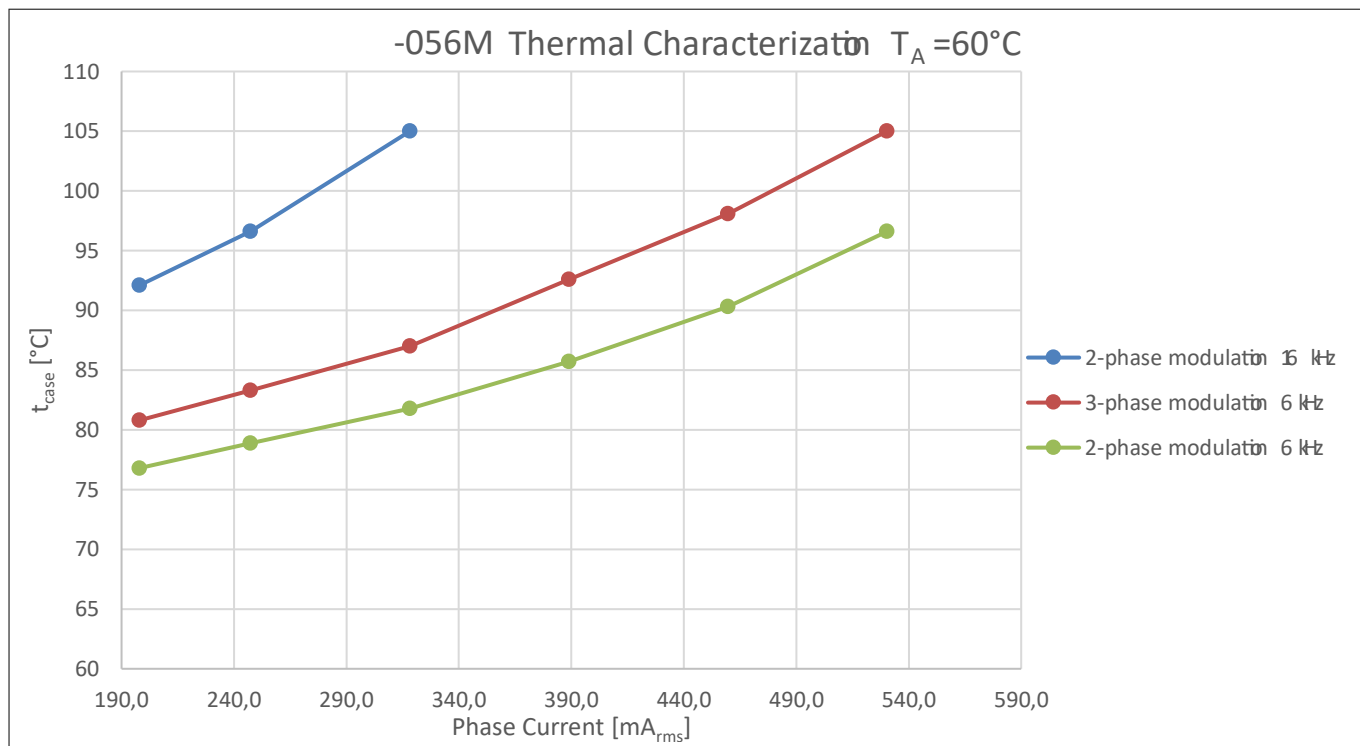


**Figure 21** IMM100T-015M thermal characterization,  $T_A = 60^\circ\text{C}$ , different phase current values until the case reaches  $105^\circ\text{C}$ , FR4 PCB with 2oz copper



**Figure 22** IMM100T-046M thermal characterization,  $T_A = 60^\circ\text{C}$ , different phase current values until the case reaches  $105^\circ\text{C}$ , FR4 PCB with 2oz copper

**5 Device and package specifications**

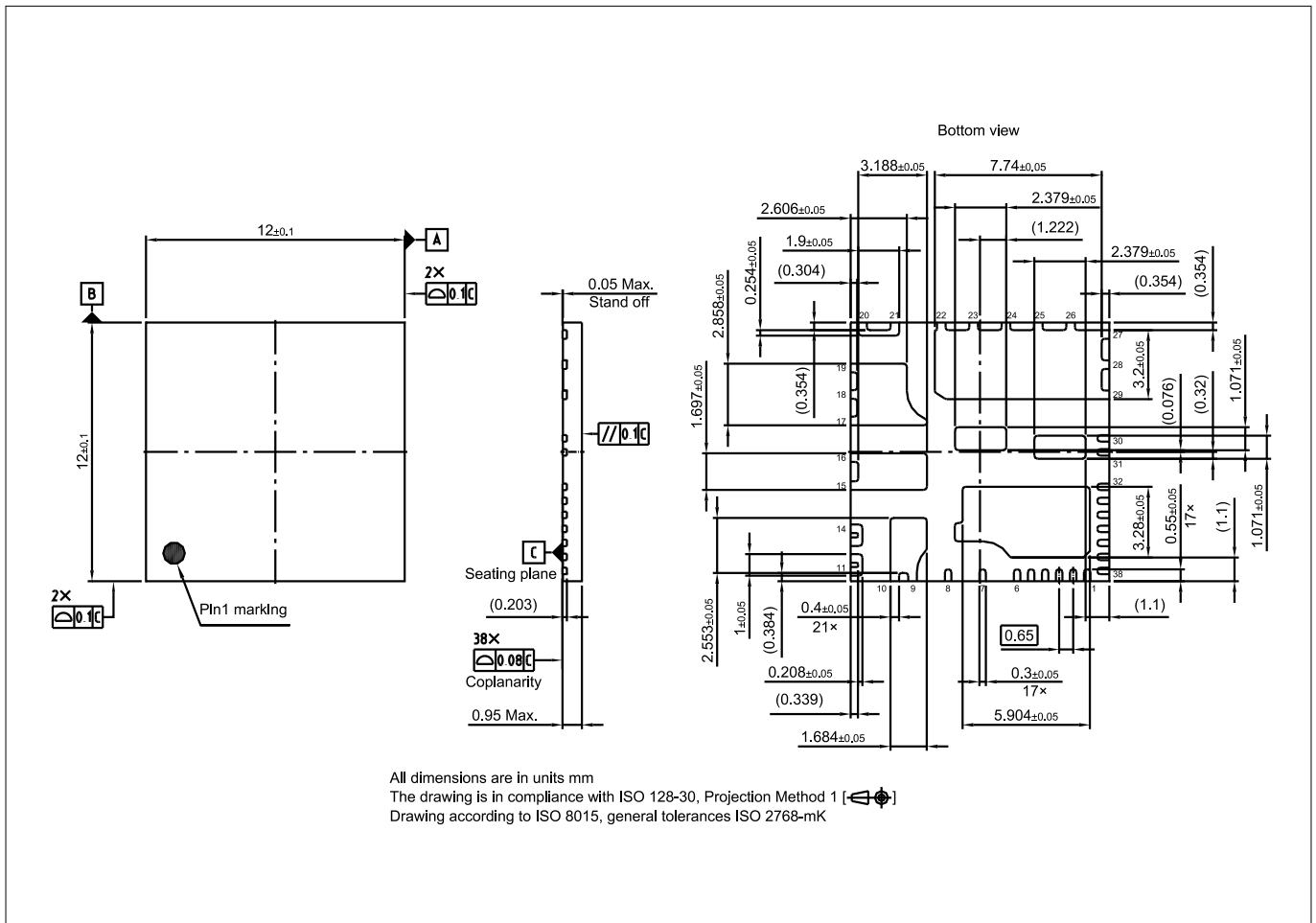


**Figure 23** IMM100T-056M thermal characterization,  $T_A = 60^\circ\text{C}$ , different phase current values until the case reaches  $105^\circ\text{C}$ , FR4 PCB with 2oz copper

Note: Characterized, not tested at manufacturing.

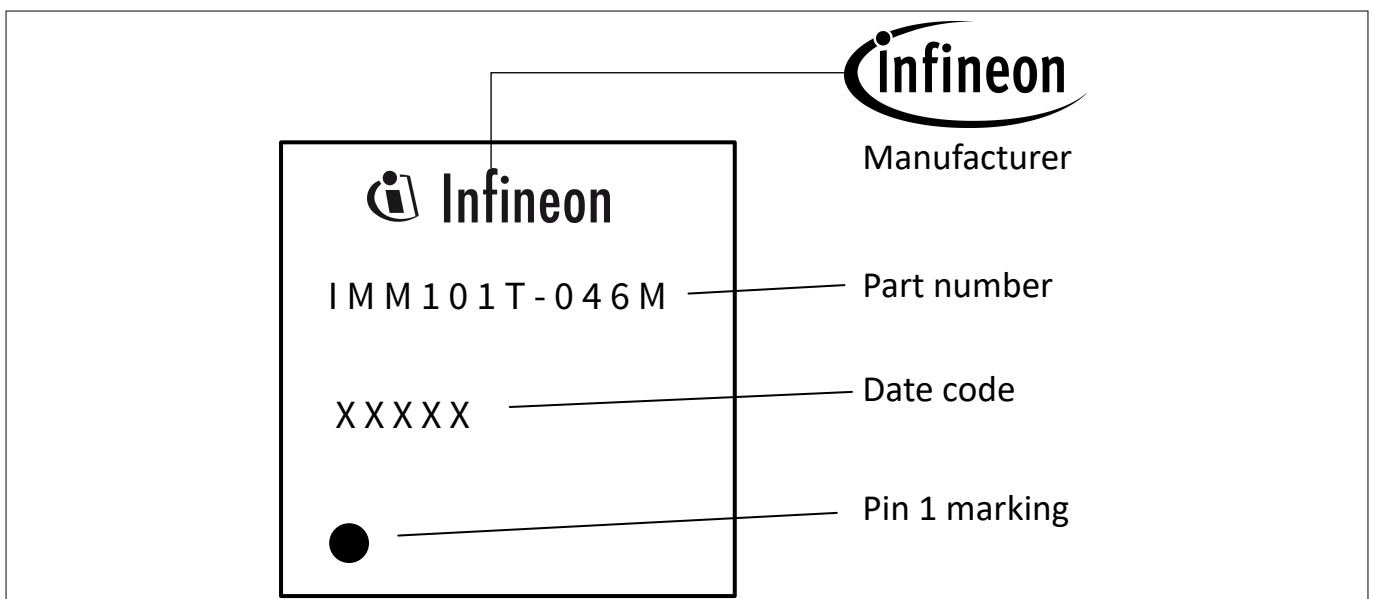
**5 Device and package specifications**

**5.5 Package outline PG-IQFN-38-1**



**Figure 24** PG-IQFN-38-1

**5.6 Part marking information**



**Figure 25** Part marking

**6 Revision history**

**6 Revision history**

<b>Document version</b>	<b>Date of release</b>	<b>Description of changes</b>
1.0	2019-04-10	<ul style="list-style-type: none"><li>Initial release</li></ul>
1.1	2019-06-05	<ul style="list-style-type: none"><li>Typo Corrections</li></ul>
1.2	2020-04-24	<ul style="list-style-type: none"><li>Revised oscillator accuracy specs, changed maximum PWM frequency</li></ul>
1.3	2023-09-13	<ul style="list-style-type: none"><li>Structural changes</li><li>Added SBSL IDs</li><li>New features pin mapping of TRIAC/I2C/IR added</li></ul>
1.3.1	2023-10-23	<ul style="list-style-type: none"><li>Standby current unit typo change</li><li>Thermal characteristics note change</li></ul>

## Trademarks

All referenced product or service names and trademarks are the property of their respective owners.

**Edition 2023-10-23**

**Published by**

**Infineon Technologies AG**

**81726 Munich, Germany**

**© 2023 Infineon Technologies AG**

**All Rights Reserved.**

**Do you have a question about any aspect of this document?**

**Email: [erratum@infineon.com](mailto:erratum@infineon.com)**

**Document reference**

**IFX-qsr1667915999810**

## Important notice

The information given in this document shall in no event be regarded as a guarantee of conditions or characteristics ("Beschaffheitsgarantie").

With respect to any examples, hints or any typical values stated herein and/or any information regarding the application of the product, Infineon Technologies hereby disclaims any and all warranties and liabilities of any kind, including without limitation warranties of non-infringement of intellectual property rights of any third party.

In addition, any information given in this document is subject to customer's compliance with its obligations stated in this document and any applicable legal requirements, norms and standards concerning customer's products and any use of the product of Infineon Technologies in customer's applications.

The data contained in this document is exclusively intended for technically trained staff. It is the responsibility of customer's technical departments to evaluate the suitability of the product for the intended application and the completeness of the product information given in this document with respect to such application.

## Warnings

Due to technical requirements products may contain dangerous substances. For information on the types in question please contact your nearest Infineon Technologies office.

Except as otherwise explicitly approved by Infineon Technologies in a written document signed by authorized representatives of Infineon Technologies, Infineon Technologies' products may not be used in any applications where a failure of the product or any consequences of the use thereof can reasonably be expected to result in personal injury.

# Mouser Electronics

Authorized Distributor

Click to View Pricing, Inventory, Delivery & Lifecycle Information:

[Infineon:](#)

[IMM101T015MXUMA1](#) [IMM101T046MXUMA1](#) [IMM102T056MXUMA1](#) [IMM101T056MXUMA1](#)  
[IMM102T015MXUMA1](#) [IMM102T046MXUMA1](#)