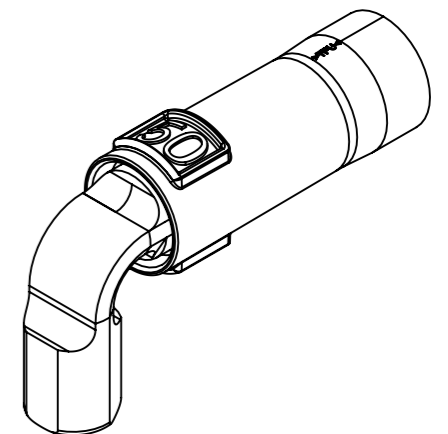
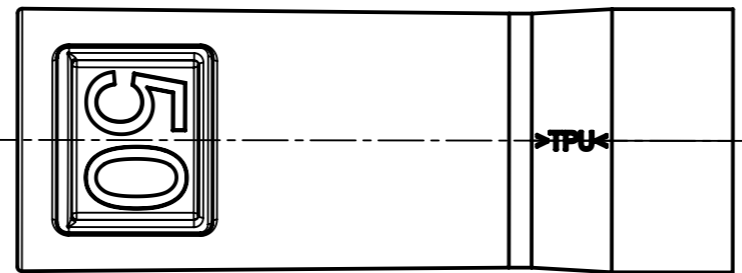


A-A(2:1)



assembly notes see catalog  
 crimp zone acc. to DIN EN 46235; indicator 14  
 for stranded fine wire acc. to VDE 0295 class 5 / IEC 60228 class 5  
 wire gauge: 50mm<sup>2</sup>; 1/0 AWG  
 stripping length: 22mm

	All rights reserved Department EL PD HARTING Electric GmbH & Co. KG D-32339 Espelkamp	All Dimensions in mm Original Size DIN A3		Scale 1:1	Free size tol.	Ref. Sub.
		Created by DEIMEL	Inspected by GRIEPENSTROH	Standardisation 302077	Date 2020-10-14	State Final Release
		Title Han® S-200A FC CRT 50mm <sup>2</sup>			Doc-Key / ECM-Nr. 100833557/UGD/000/E 500000181276	
		Type TB	Number 09 93 000 6264		Rev. E	Page 1/1