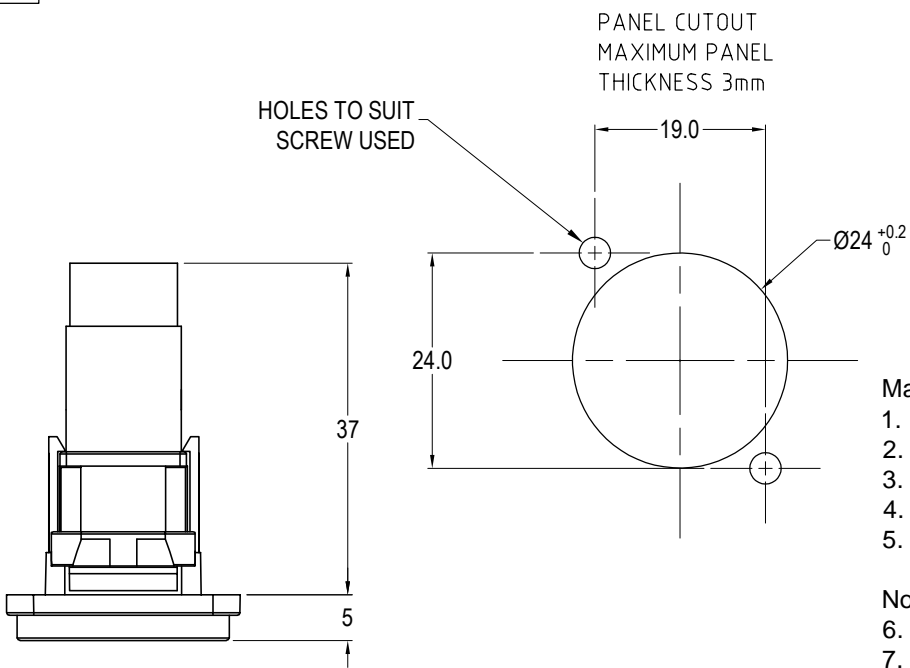
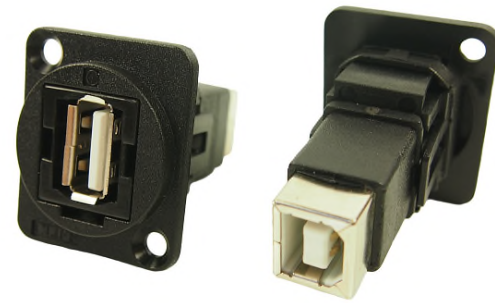


ISS.	AMEND	DATE
1	ISSUED	21/04/15
2	MATERIAL UPDATE	15/12/17
3	ADD WHITE VARIANTS	03/02/20



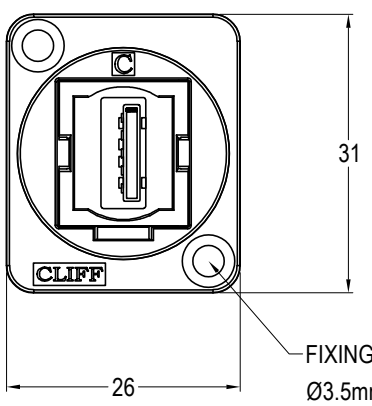
Material:

1. Insert: ABS UL94 HB
2. Frame: Polyamide UL94 V-2
3. Inner Overmoldings: PE + PVC
4. Shell: Nickel plated steel
5. Contacts: Gold Plated

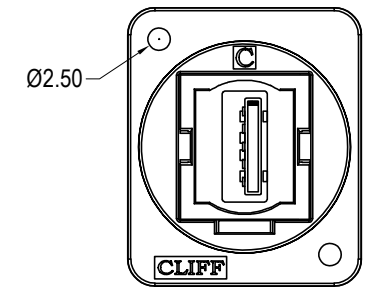
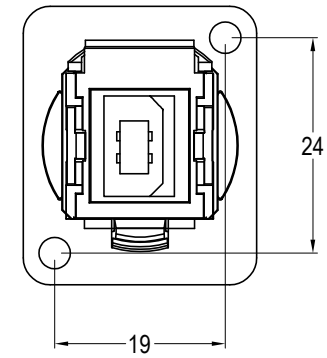
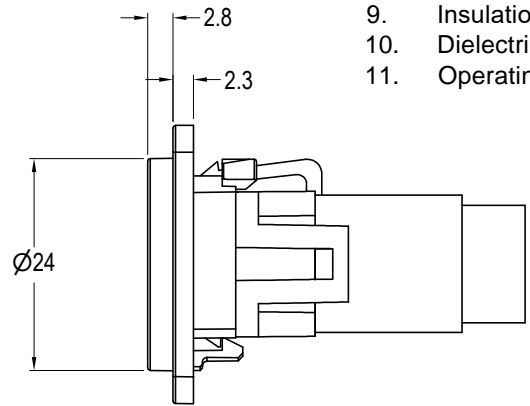
Notes:

6. Voltage rating: 30V ac
7. Current rating: 1.5 A max
8. Contact resistance: 50mΩ max
9. Insulation resistance: 20MΩ min
10. Dielectric withstanding voltage: 500V AC
11. Operating Temperature: -20°C to 50°C


PART NO.	COLOUR	FIXING HOLE DETAILS
CP30209N	BLACK	HOLE Ø3.50 X CSK 82° X Ø5.85
CP30209NW	WHITE	
CP30209NX	BLACK	PLAIN HOLE Ø2.50
CP30209NXW	WHITE	



FIXING HOLE VARIANTS:
 Ø3.5mm CSK 82° x Ø5.85
 'X' VERSION HAS Ø2.5 PLAIN HOLES.



'X' VERSION
 Ø2.5 PLAIN HOLES

RoHS
 **COMPLIANT**

TOLERANCE
 NO DEC. PLACE ±
 1 DEC. PLACE ±
 2 DEC. PLACE ±
 HOLE Ø ±
 ANGLES ±
 UNLESS OTHERWISE STATED