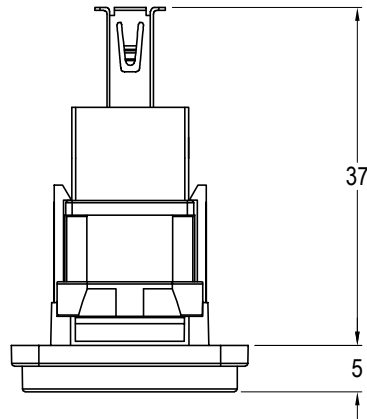
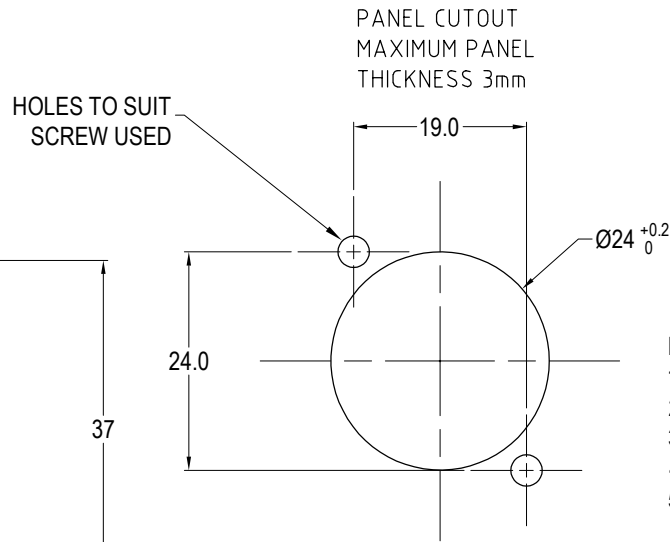


ISS.	AMEND	DATE
1	ISSUED	12/02/15
2	ADD WHITE VARIANTS	03/02/20



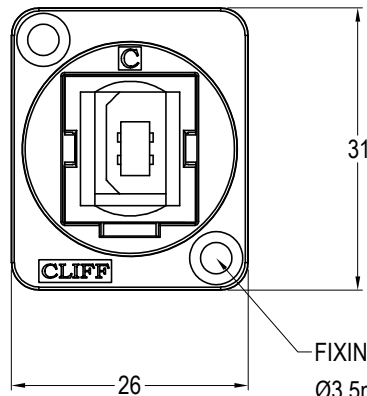
Material:

1. Insert: ABS UL94 HB
2. Frame: Polyamide UL94 V-2
3. Inner Overmouldings: PE + PVC
4. Shell: Nickel plated steel
5. Contacts: Gold Plated

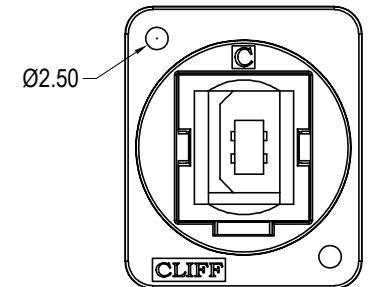
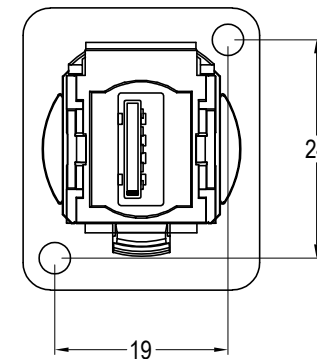
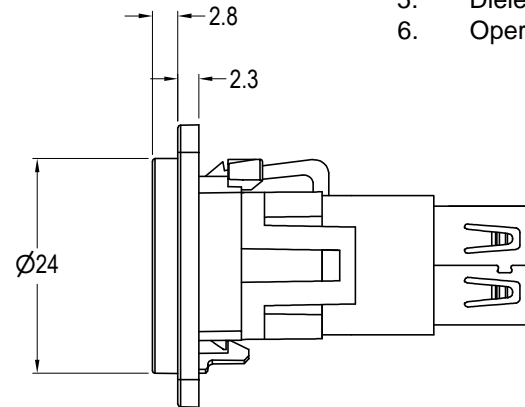
PART NO.	COLOUR	FIXING HOLE DETAILS
CP30207N	BLACK	HOLE Ø3.50 X CSK 82° X Ø5.85
CP30207NW	WHITE	
CP30207NX	BLACK	PLAIN HOLE Ø2.50
CP30207NXW	WHITE	

Notes:

1. Voltage rating: 30V ac
2. Current rating: 1.5 A max
3. Contact resistance: 50mΩ max
4. Insulation resistance: 20MΩ min
5. Dielectric withstanding voltage: 500V AC
6. Operating Temperature: -20°C to 50°C



FIXING HOLE VARIANTS:
Ø3.5mm CSK 82° x Ø5.85
'X' VERSION HAS Ø2.5 PLAIN HOLES.



'X' VERSION
Ø2.5 PLAIN HOLES

RoHS
COMPLIANT

TOLERANCE
NO DEC. PLACE ±
1 DEC. PLACE ±
2 DEC. PLACE ±
HOLE Ø ±
ANGLES ±
UNLESS
OTHERWISE STATED

Cliff Electronic Components Ltd.

76 Holmethorpe Avenue, Holmethorpe Industrial Estate,
Redhill, Surrey, RH1 2PF, England, UK
Tel: 01737-771375 Fax: 01737-766012 Website: www.cliffuk.co.uk

THE CONTENTS OF THIS DOCUMENT MUST NOT BE COPIED OR DISCLOSED
TO A 3rd PARTY WITHOUT WRITTEN PERMISSION OF CLIFF UK. © 2015

DIMENSIONS IN MILLIMETERS UNLESS OTHERWISE STATED. WORK TO DIMENSIONS. REMOVE ALL BURRS. IF IN DOUBT ASK.

3rd ANGLE PROJECTION:

DO NOT SCALE

MATERIAL: See Notes

FINISH: See Notes

DRAWN: D.P.J.

APPROVED: D.P.J.

TITLE: FEED THROUGH USB 2.0 B to USB 2.0 A, Nickel Plated

DRWG. No. CP30207N

FORM: A4DRWGH