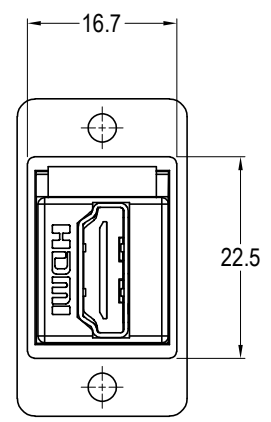
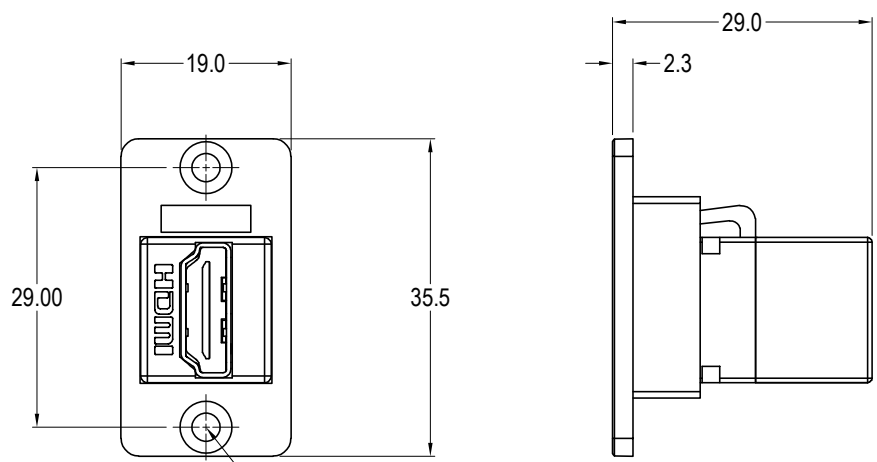
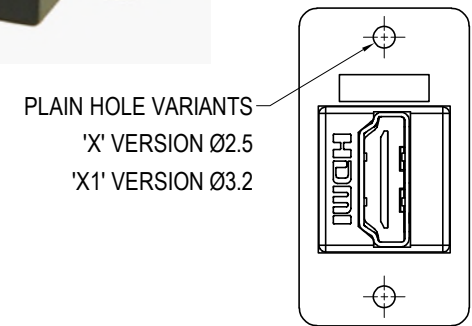
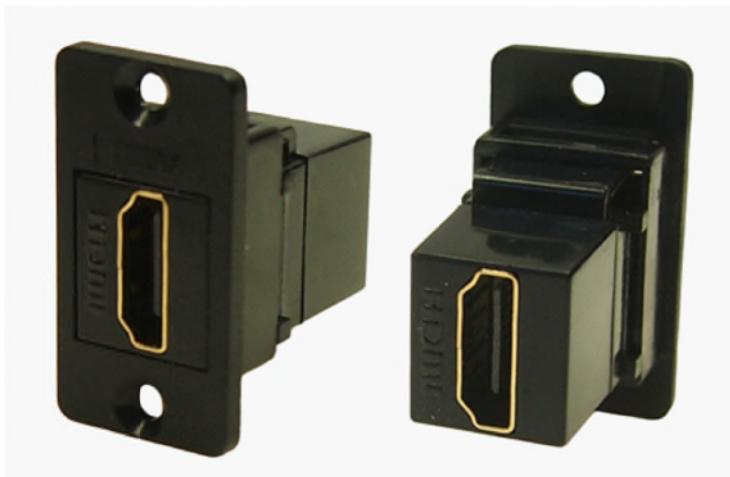
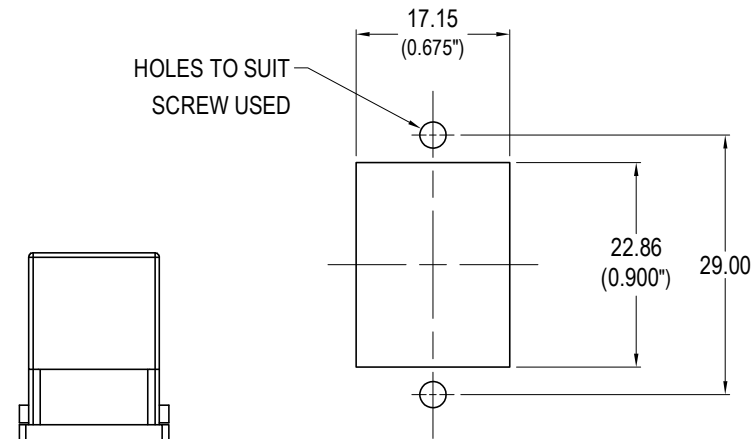


ISS.	AMEND	DATE
1	ISSUED	16/09/20



VARIANTS	
PART NO.	HOLE DETAILS
CP30600G	HOLE Ø3.2 x CSK 90° x Ø5.85
CP30600GX	PLAIN HOLE Ø2.5
CP30600GX1	PLAIN HOLE Ø3.2

3x HOLE VARIANTS  
 Ø3.2mm CSK 90° x Ø5.85  
 'X' PLAIN Ø2.5 HOLES  
 'X1' PLAIN Ø3.2 HOLES

- Material:
1. Insert: ABS UL94 HB
  2. Frame: Polyamide UL94 V2
  3. Shell: Gold plated
  4. Contacts: Gold Plated

<b>RoHS</b> COMPLIANT
TOLERANCE NO DEC. PLACE ± 1 DEC. PLACE ± 2 DEC. PLACE ± HOLE Ø ± ANGLES ± UNLESS OTHERWISE STATED
DO NOT SCALE

**Cliff Electronic Components Ltd.**  
 76 Holmehorpe Avenue, Holmehorpe Industrial Estate,  
 Redhill, Surrey, RH1 2PF, England, UK  
 Tel: 01737-771375 Fax: 01737-766012 Website: www.cliffuk.co.uk

DIMENSIONS IN MILLIMETERS UNLESS OTHERWISE STATED. WORK TO DIMENSIONS. REMOVE ALL BURRS. IF IN DOUBT ASK.

3rd ANGLE PROJECTION:

MATERIAL: See Notes  
 FINISH: See Notes

TITLE: FRONT MOUNT SLIM FT HDMI F-F

THE CONTENTS OF THIS DOCUMENT MUST NOT BE COPIED OR DISCLOSED TO A 3rd PARTY WITHOUT WRITTEN PERMISSION OF CLIFF UK. © 2020

DRAWN: T.J.O.

APPROVED: D.P.J.

DRWG. No. **CP30600G** FORM: A4DRWGH