

- > **5 ... 420 bar**
Port size: G1/4 or flange
 - > **Microswitch with gold plated contacts**
 - > **Vibration resistant to 15 g**
 - > **Microswitch approved by UL and CSA**
 - > **Intrinsically safe operation**
- > **For Ex applications conforming to ATEX 100a: Zone 2 category**
ATEX 3G (gases):
Ex nA nC IIC T6 Gc
Zone 22 category
ATEX 3D (dusts):
Versions, form A connector: Ex tc IIIC T50 °C Dc; Versions, M12x1 connector: Ex tc IIIC T80 °C Dc
Special condition to be observed during the installation


Technical features
Medium:

For neutral, self lubricating fluids, e.g. hydraulic oil, lube oil, light fuel oil

Operation:

Softseal piston

Operating pressure:

5 ... 420 bar (72 ... 6091 psi)

Repeatability:

±3% of final value

(depending on regulating pressure)

Media viscosity:

Up to 1000 mm²/s

Switching pressure difference/hysteresis:

Fixed

Switching cycles:

100 1/min

Life cycle of mechanical parts:

10⁷ switching cycles

Switching element:

Microswitch with gold plated contacts

Mounting position:

Optional

Degree of protection:

IP65 for DIN EN 175301-803 (DIN 43650) form A connection
IP67 for M12x1 connection

Electrical connection:

DIN EN 175301-803 (DIN 43650) form A or M12x1 IEC 947-5-2

Weight:

0,2 kg (0.44 lbs)

Ambient/Media temperature:

Versions, form A connector:
0 ... +50°C (32 ... +122°F)

Versions, M12x1 Connector:
0 ... +80°C (32 ... +176°F)

Air supply must be dry enough to avoid ice formation at temperatures below +2°C (+35°F)

Materials:

Body: Aluminium/steel
Seals: PTFE, NBR

Technical data
DIN plug connection – plug included in scope of supply

Symbol	Port size	Pressure range *1)		Switching pressure difference		Max. Over pressure *2)		Materials press sensor		Drawing No.	Model		
		(bar)	(psi)	Lower range (bar)	Upper range (psi)	(bar)	(psi)	Body	Seal				
	G1/4	5 ... 70	72 ... 1015	10,5	152	15	217	400	5801	AL/steel	PTFE/NBR	1	0882180
	Flansch	5 ... 70	72 ... 1015	10,5	152	15	217	400	5801	AL/steel	PTFE/NBR	2	0883180
	G1/4	10 ... 160	145 ... 2320	11	159	17	246	400	5801	AL/steel	PTFE/NBR	1	0882280
	Flansch	10 ... 160	145 ... 2320	11	159	17	246	400	5801	AL/steel	PTFE/NBR	2	0883280
	G1/4	25 ... 250	362 ... 3625	11	159	17	246	400	5801	AL/steel	PTFE/NBR	1	0882380
	Flansch	25 ... 250	362 ... 3625	11	159	17	246	400	5801	AL/steel	PTFE/NBR	2	0883380
	G1/4	40 ... 420	580 ... 6091	17	246	38	551	600	8702	AL/steel	PTFE/NBR	1	0882480
	Flansch	40 ... 420	580 ... 6091	17	246	38	551	600	8702	AL/steel	PTFE/NBR	2	0883480

Electrical connection M12 x 1 nach IEC 947-5-2 - plug not included, max. allowable voltage 30 V

The pressure switch will loose the Ex approval when using other wire sockets than those listed in data sheet.

Symbol	Port size	Pressure range *1)		Switching pressure difference		Max. Over pressure *2)		Materials press sensor		Drawing No.	Model		
		(bar)	(psi)	Lower range (bar)	Upper range (psi)	(bar)	(psi)	Body	Seal				
	G1/4	5 ... 70	72 ... 1015	10,5	152	15	217	400	5801	AL/steel	PTFE/NBR	1	0882181
	G1/4	10 ... 160	145 ... 2320	11	159	17	246	400	5801	AL/steel	PTFE/NBR	1	0882281
	G1/4	25 ... 250	362 ... 3625	11	159	17	246	400	5801	AL/steel	PTFE/NBR	1	0882381
	G1/4	40 ... 420	580 ... 6091	17	246	38	551	600	8702	AL/steel	PTFE/NBR	1	0882481

*1) Setpoints should be ideally in the middle of the switching pressure range. Reference pressure = atmospheric pressure. Switching pressure must not exceed the indicated values.

*2) Max. values

Accessories

Pressure port reducing nipple	Surge damper	Cover	Connector DIN EN 175301-803	Connector M12x1 4-pin, 90°	4-pin, straight
Page 3	Page 3	Page 3			
0574767 (brass)	0574773 (brass)	0554737	0524210 (Form A)	0524207 (2 m cable, 4-core)	0524206 (2 m cable, 4-core)
0550083 (stainless steel)	0553258 (stainless steel)			0524209 (5 m cable, 4-core)	0524208 (5 m cable, 4-core)

Switching function

	<p>Connector DIN EN 175301-803, form A</p> <p>Microswitch SPDT</p> <p>Terminals 1 - 3: Contacts close on rising pressure.</p> <p>Terminals 1 - 2: Contacts open on rising pressure.</p>		<p>Connector IEC 947-5-2, M12x1</p> <p>Microswitch SPDT</p> <p>Terminals 1 - 4: Contacts close on rising pressure.</p> <p>Terminals 1 - 2: Contacts open on rising pressure.</p>
--	---	--	--

Switching capacity

Commutator with gold plated contacts

Current type	Load type *2)	U min [V]	Max. permissible persistent current I _{max} [A] at U *1) (UL & CSA)					Electrical life-time
			M12x1 30 V	DIN EN 175301-803, form A 30 V	48 V	125 V	250 V	
a.c.	Ohmic, inductive	6	0,1	0,1	0,1	0,1	0,1	≥ 2 x 10 ⁵ Switching cycles
d.c.	Ohmic, inductive	6	0,1	0,1	—	—	—	

Reference number: 20/min, Reference temperature: +20°C.
I_{min} = 1 mA at 24 V d.c. or 5 mA at 6 V d.c.

*1) Higher currents (5 A max) will cause a reduction of the durability of the micro-switch contacts. Furthermore additional measures has to be taken to fulfil the EMV regulation 2014/30/EU by the manufacturer

*2) Spark quenching/overload protection will be necessary using inductive loads.

Recommended circuit

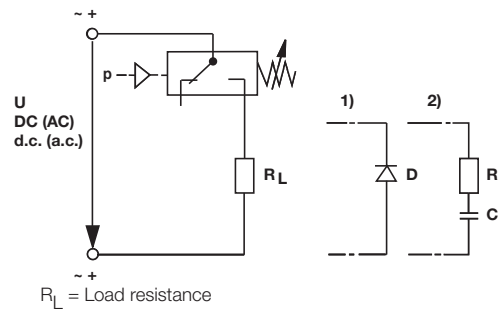
Spark quenching and EMV intrinsically safe

1. Quick diode (D) with $t_v \leq 200$ ns, parallel to inductive load.
2. RC link in parallel to load in parallel to switching contact.

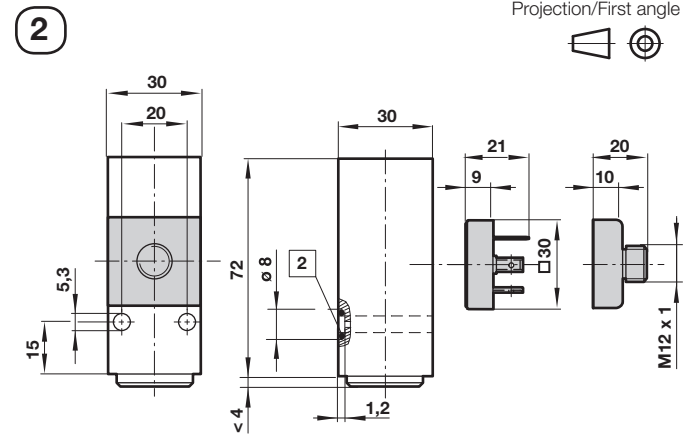
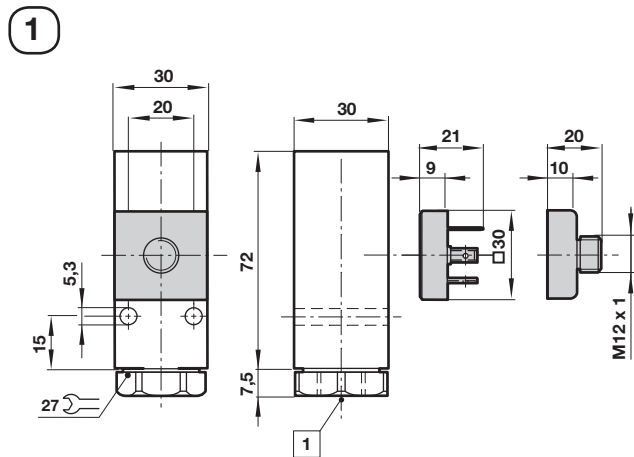
Dimensioning principles:

R_L in $\Omega \approx 0,2 \times R_{Load}$ in Ω

C in $[\mu F] \approx I_{Load}$ in [A]



Drawings



- 1 Media port
- 2 O-ring 5 x 1,5

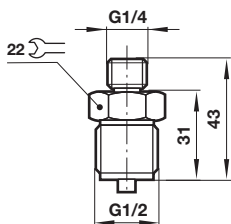
Adjustable switch point

After releasing the locking screw
Clockwise rotation = increasing switch point
Counter clockwise rotation = decreasing the switch point



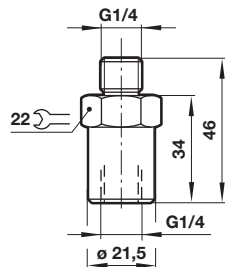
Pressure port reducing nipple

Model: 0574767 (brass)
0550083 (stainless steel)



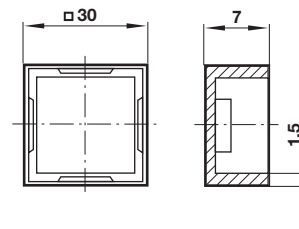
Surge damper

Model: 0574773 (brass)
0553258 (stainless steel)



Cover

Model: 0554737 (plastic)



Warning

These products are intended for use in industrial compressed air and fluid systems only. Do not use these products where pressures and temperatures can exceed those listed under »**Technical features/data**«. Before using these products with fluids other than those specified, for non-industrial applications, life-support systems, or other applications not within published specifications, consult IMI Precision Engineering, Norgren GmbH.

Through misuse, age, or malfunction, components used in fluid power systems can fail in various modes. The system designer is warned to consider the failure modes of all component parts used in fluid power systems and to provide adequate safeguards to prevent personal injury or damage to equipment in the event of such failure. System designers must provide a warning to end users in the system instructional manual if protection against a failure mode cannot be adequately provided. System designers and end users are cautioned to review specific warnings found in instruction sheets packed and shipped with these products.