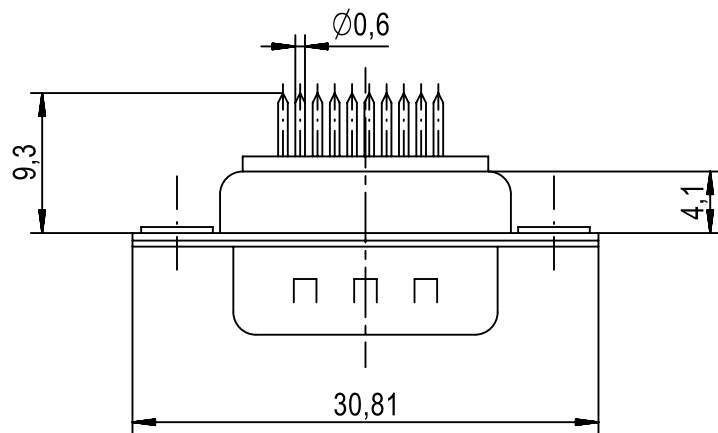
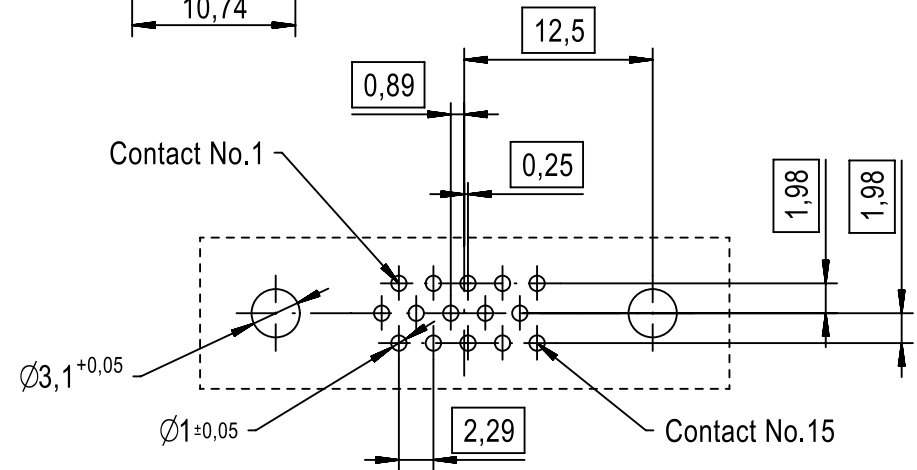



PC-Board layout
view component side
thickness 1,6 mm



	All rights reserved Department EC PD - FR	All Dimensions in mm Original Size DIN A4		Scale 2:1	Free size tol.	Ref.
		Created by DOUGE	Inspected by BAGDIKIAN	Standardisation HOFFMANN	Date 2013-10-25	State Final Release
HARTING Electronics GmbH D-32339 Espelkamp		Title D-Sub HD 15P male straight solder pins				Doc-Key / ECM-Nr. 100513323/UGD/001/B 500000065862
Type TB		Number 0956161X700				Rev. B
Part number 09561615700		Performance level S4				Page 1/1
Part number 09561617700		Performance level 3				

Mouser Electronics

Authorized Distributor

Click to View Pricing, Inventory, Delivery & Lifecycle Information:

[HARTING:](#)

[09561617700](#) [09561615700](#)