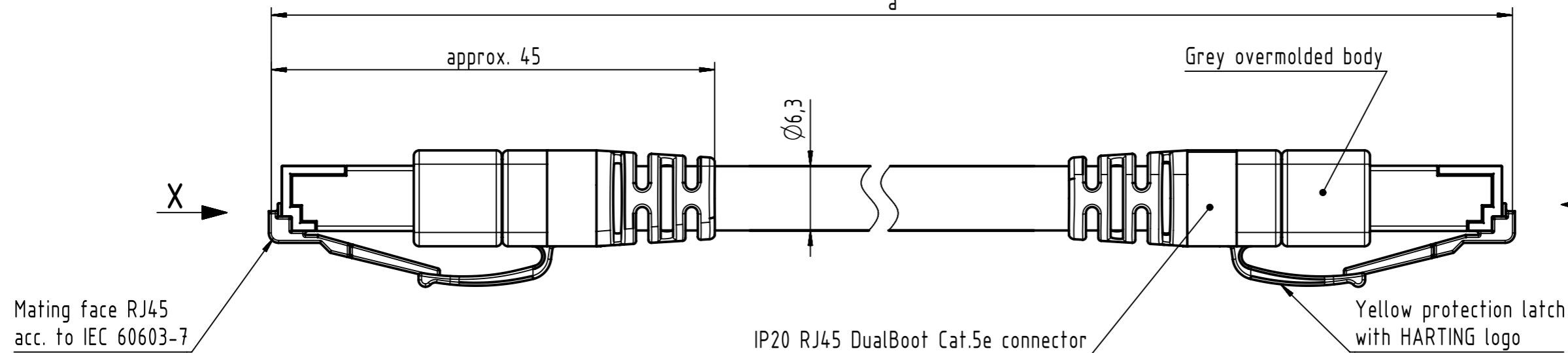


Connector Location A

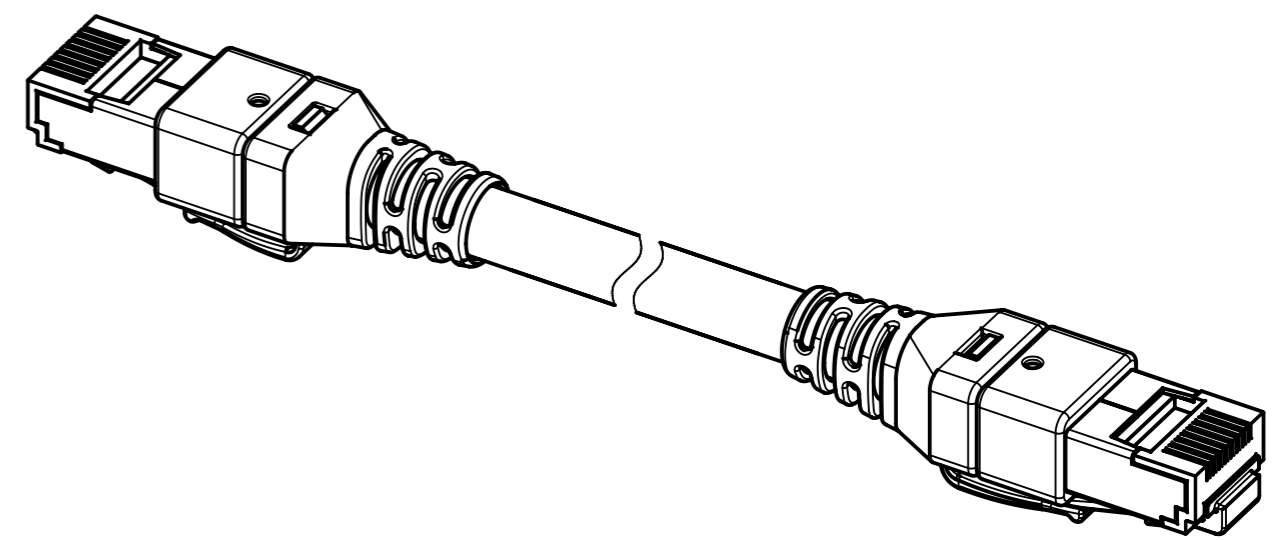
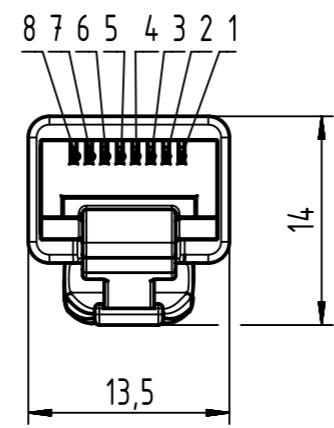
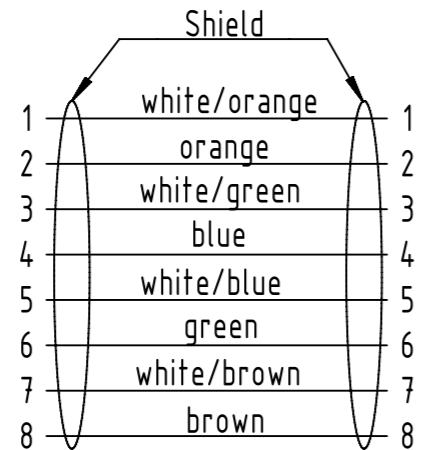
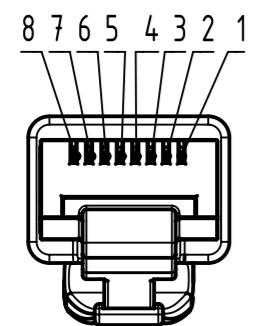
Connector Location B



**X**  
male

Loading-Plan  
acc. to TIA/EIA 568B

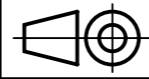
**Y**  
male



**NOTE:**  
 For lengths < 1.0m:  
 - relative positioning of the connectors to each other will be as presented in the drawing, however with an admissible angular deviation around cable axis of  $\pm 30^\circ$   
 For lengths  $\geq 1.0m$ :  
 -relative positioning of the connectors to each other not obligatory

Temperature range:  
 - Fixed installation:  $-30^\circ\text{C} \dots +75^\circ\text{C}$   
 - Dynamic installation:  $-5^\circ\text{C} \dots +50^\circ\text{C}$

	All rights reserved		Created by BANIUD Banciu		Inspected by COSTEA Costea		Standardisation MUNTEANV Muntean		Date 2018-11-12		State Final Release	
	Department HCS - RO		Title RJ45 DualBoot cable assembly Cat.5e PUR		Type TB		Number 094747470XX		Doc-Key / ECM-Nr. 100170398/UGD/016/L 500000143238		Rev. L Page 1/2	
HARTING Customised Solutions D-32339 Espelkamp			All Dimensions in mm		Tech. Character.		Free size tol.		According to production drawing			

1	2	3	4	5	6	7	8
A							
	41	09474747040	4x2xAWG 26/7 SF/UTP Cat.5e PUR	60	±1%		
	40	09474747029		50			
	39	09474747036		48			
	38	09474747028		40			
	37	09474747026		35			
	36	09474747027		30			
	35	09474747025		25			
B	34	09474747023		20			
	33	09474747034		18			
	32	09474747033		17			
	31	09474747032		16			
	30	09474747022		15			
	29	09474747031		14			
	28	09474747035		12			
	27	09474747030		11			
C	26	09474747021		10			
	25	09474747020		9			
	24	09474747019		8			
	23	09474747018		7.5			
	22	09474747017		7			
	21	09474747016		6			
	20	09474747015		5			
	19	09474747041	4.3				
	18	09474747014	4				
D	17	09474747024	3.5				
	16	09474747013	3				
	15	09474747012	2.5				
	14	09474747011	2				
	13	09474747037	1.8				
	12	09474747010	1.5				
	11	09474747038	1.2				
	10	09474747009	1				
E	9	09474747008	0.9				
	8	09474747007	0.8				
	7	09474747006	0.7				
	6	09474747005	0.6				
	5	09474747004	0.5				
	4	09474747003	0.4				
	3	09474747002	0.3				
	2	09474747001	0.2				
	1	09474747039	0.16				
F							
	Cont. no.	Part no.	Type of cable	Dim. a[m]	 All Dimensions in mm Tech. Character. Free size tol. According to production drawing		
					All rights reserved Department HCS - RO Created by BANIUD Banciu Inspected by COSTEA Costea Standardisation MUNTEANV Muntean Date 2018-11-12 State Final Release Title RJ45 DualBoot cable assembly Cat.5e PUR Doc-Key / ECM-Nr. 100170398/UGD/016/L 500000143238 Type TB Number 094747470XX Rev. L Page 2/2		

# Mouser Electronics

Authorized Distributor

Click to View Pricing, Inventory, Delivery & Lifecycle Information:

## HARTING:

[09474747004](#) [09474747009](#) [09474747011](#) [09474747001](#) [09474747002](#) [09474747003](#) [09474747005](#)  
[09474747006](#) [09474747007](#) [09474747008](#) [09474747010](#) [09474747012](#) [09474747013](#) [09474747014](#) [09474747015](#)  
[09474747016](#) [09474747017](#) [09474747018](#) [09474747019](#) [09474747020](#) [09474747021](#) [09474747022](#)  
[09474747023](#) [09474747025](#) [09474747027](#) [09474747029](#) [09474747026](#) [09474747028](#) [09474747033](#) [09474747024](#)  
[09474747031](#) [09474747036](#) [09474747037](#) [09474747040](#) [09474747035](#) [09474747034](#)