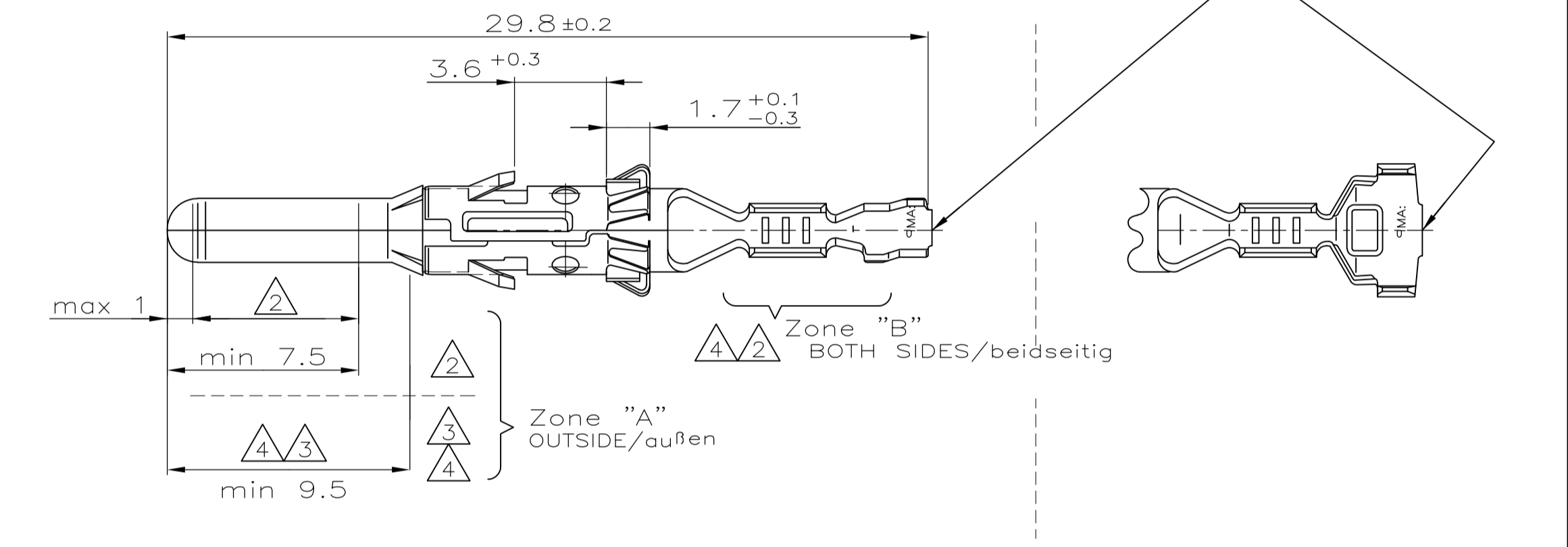


Version B (SINGLE WIRE SEAL-SYSTEM / Einzel-Dichtungs-System)	TE CONNECTIVITY ORDER-Nr. SINGLE SEAL Einzeldichtung	TE CONNECTIVITY ORDER-Nr. DEAD END PLUG Blindstopfen
△1-929968-0 1-962972-0 M CuFe2 >1.0-2.5 FLR E = 3.6 H = 5.0 2.5mm²=1.97 MQC-Applicator 734289-2 4 6.9 8.5 828921-1 828922-1		
△929968-9 962972-9 M CuNiSi G = 3.8 K = 5.0 2.0mm²=1.82		
△929968-8 962972-8 M CuNiSi D _{Dr} = 1.7 D = 3.6 1.5mm²=1.67		
△929968-7 962972-7 M CuFe2		
△929968-4 962972-4 M CuFe2		
△929968-1 962972-1 M CuNiSi		
△1-929967-4 1-962971-4 A CuNiSi >1.0-2.5 FLR E = 2.6 H = 4.8 1.0mm²=1.45 MQC-Applicator 734289-1 3 5.4 7 828920-1 828922-1		
△1-929967-0 1-962971-0 M CuFe2 G = 2.8 K = 4.8 0.75mm²=1.36		
△929967-9 962971-9 M CuNiSi D _{Dr} = 1.1 D = 3.2 0.5mm²=1.27		
△929967-8 962971-8 M CuFe2		
△929967-7 962971-7 M CuNiSi		
△929967-4 962971-4 M CuFe2		
△929967-1 962971-1 M CuNiSi		
△1-929966-0 1-962970-0 M CuFe2 0.2-0.4 FLR E = 2.1 H = 4.5 0.35mm²=1.11 MQC-Applicator 2-878484-2 734289-1 3 5.4 7 828920-1 828922-1		
△929966-9 962970-9 M CuNiSi G = 2.1 K = 4.5		
△929966-8 962970-8 M CuFe2 D _{Dr} = 0.8 D = 3.2		
△929966-7 962970-7 M CuNiSi		
△929966-4 962970-4 M CuFe2		
△929966-1 962970-1 M CuNiSi		



REMARKS
Bemerkungen

- 1 PRE TINNED vorverzinkt 1-2µm
- 2 ZONE "A": MIN 0.8µm ELECTROPL. Au OVER MIN 1.3µm ELECTROPL. Ni LAYER
min 0.8µm galv. Au über min 1.3µm galv. Ni
ZONE "B": 1-2µm ELECTROPL. Sn OVER MIN 0.1µm ELECTROPL. Ni
1-2µm galv. Sn über min 0.1µm galv. Ni
REST: min 0.1µm ELECTROPL. Ni
min 0.1µm galv. Ni
- 3 ZONE "A": MIN 3µm ELECTROPL. Ag
min 3µm galv. Ag
REST: min 0.5µm ELECTROPL. Ag
min 0.5µm galv. Ag
- 4 ZONE "A": MIN 3µm ELECTROPL. Ag
min 3µm galv. Ag
ZONE "B": 1-3µm ELECTROPL. Sn
1-3µm galv. Sn
REST: SILVER OR TIN ALLOWED IN TRANSITION AREAS.OVERLAPPING LAYERS
AND PLAIN SURFACES ARE NOT ALLOWED.
Silber oder Zinn im Übergangsbereich erlaubt.
überlagernde Schichten oder blanke Stellen sind nicht erlaubt.
- 5 AT AREA OF TOP OPENING PERMITTED
Im Bereich der Spitze Öffnung zulässig
- 6 AVAILABILITY MUST BE CHECKED BY TE CONNECTIVITY
Verfügbarkeit ist von TE CONNECTIVITY zu prüfen

Version A (UNSEALED / ungedichtet)	TE CONNECTIVITY ORDER-Nr. SINGLE SEAL Einzeldichtung	TE CONNECTIVITY ORDER-Nr. DEAD END PLUG Blindstopfen
△1-929965-0 1-962969-0 J CuFe2 >2.5-4.0 FLR E = 4.3 H = 5.4 4.0mm²=2.30 MQC-Applicator 734285-3 4 5.5 8.5		
△929965-9 962969-9 J CuNiSi G = 4.5 K = 5.6 3.0mm²=2.05		
△929965-8 962969-8 J CuNiSi D _{Dr} = 2.4 D = 3.2		
△929965-7 962969-7 J CuFe2		
△929965-4 962969-4 J CuFe2		
△929965-1 962969-1 J CuNiSi		
△1-929964-0 1-962968-0 J CuFe2 >1.0-2.5 FLR E = 3.6 H = 4.3 2.5mm²=1.97 MQC-Applicator 2-878482-2 734285-2 4 5.5 8.5		
△929964-9 962968-9 J CuNiSi G = 3.8 K = 4.5 2.0mm²=1.82		
△929964-8 962968-8 J CuNiSi D _{Dr} = 1.7 D = 2.6 1.5mm²=1.67		
△929964-7 962968-7 J CuFe2		
△929964-4 962968-4 J CuFe2		
△929964-1 962968-1 J CuNiSi		
△1-929963-0 1-962967-0 L CuFe2 0.5-1.0 FLR E = 2.6 H = 3.2 1.0mm²=1.45 MQC-Applicator 2-878481-2 734285-1 3 4.5 7		
△929963-9 962967-9 L CuNiSi G = 2.8 K = 3.4 0.75mm²=1.36		
△929963-8 962967-8 L CuFe2 D _{Dr} = 1.1 D = 1.8 0.5mm²=1.27		
△929963-7 962967-7 L CuNiSi		
△929963-4 962967-4 L CuFe2		
△929963-1 962967-1 L CuNiSi		
△1-929962-0 1-962966-0 J CuFe2 0.2-0.4 FLR E = 2.1 H = 2.5 0.35mm²=1.11 MQC-Applicator 2-878480-2 734285-1 3 4.5 7		
△929962-9 962966-9 J CuNiSi G = 2.1 K = 2.5 0.25mm²=1.07		
△929962-8 962966-8 J CuNiSi D _{Dr} = 0.8 D = 1.4 0.2mm²=1.05		
△929962-7 962966-7 J CuFe2		
△929962-4 962966-4 J CuFe2		
△929962-1 962966-1 J CuNiSi		

TE CONNECTIVITY ORDER-Nr. STRIP FORM Bandware	TE CONNECTIVITY ORDER-Nr. LOOSE PIECE Einzelausführung	REV.	MATERIAL Werkstoff	SURFACE Oberfläche	DGB [mm²]	WIRE CRIMP Drahtcrimp	INSUL.-CRIMP Isol.-Crimp	WIRE CRIMP HEIGHT CH Drahtcrimp-Höhe CH	APPLICATION TOOL Anschlag-WKZ	HAND TOOL Handzange	A	B	C
						CRIMP DIMENSION (mm) Crimpbmessungen (mm)			EXTRACTION TOOL Ausdrückwerkzeug Nr.: 872070-1				

THIS DRAWING IS A CONTROLLED DOCUMENT. DIESE ZEICHNUNG IST EIN KONTROLLIERTES DOKUMENT.

DIMENSIONS: DIMENSIONEN mm	TOLERANCES UNLESS OTHERWISE SPECIFIED: ALLE TOLERANZEN UNLESS OTHERWISE SPECIFIED:	DIN C. Goetz 25-JUN-2001	
	0-RIBS ± 0.15 mm	CIK: J. Granzow 25-JUN-2001	
	1-PLC ± -	APVD: -	
	2-PC ± -	NAME: -	
	3-PLC ± -	PRODUCT SPEC: 108-18027	TE Connectivity
	4-PLC ± -	APPLICATION SPEC: 114-18020	DIA. 2.5MM PIN CONTACT DIA 2.5mm Stiftkontakt
MATERIAL SEE TABLE	FINISH/OBERFLÄCHE/FARBE SEE TABLE	WEIGHT: 0.85 g	RESTRICTED TO SURFACER
		A1 00779 1355064	CUSTOMER DRAWING /KUNDENZEICHNUNG SCALE: 5:1 SHEET 1 OF 1 REV A4