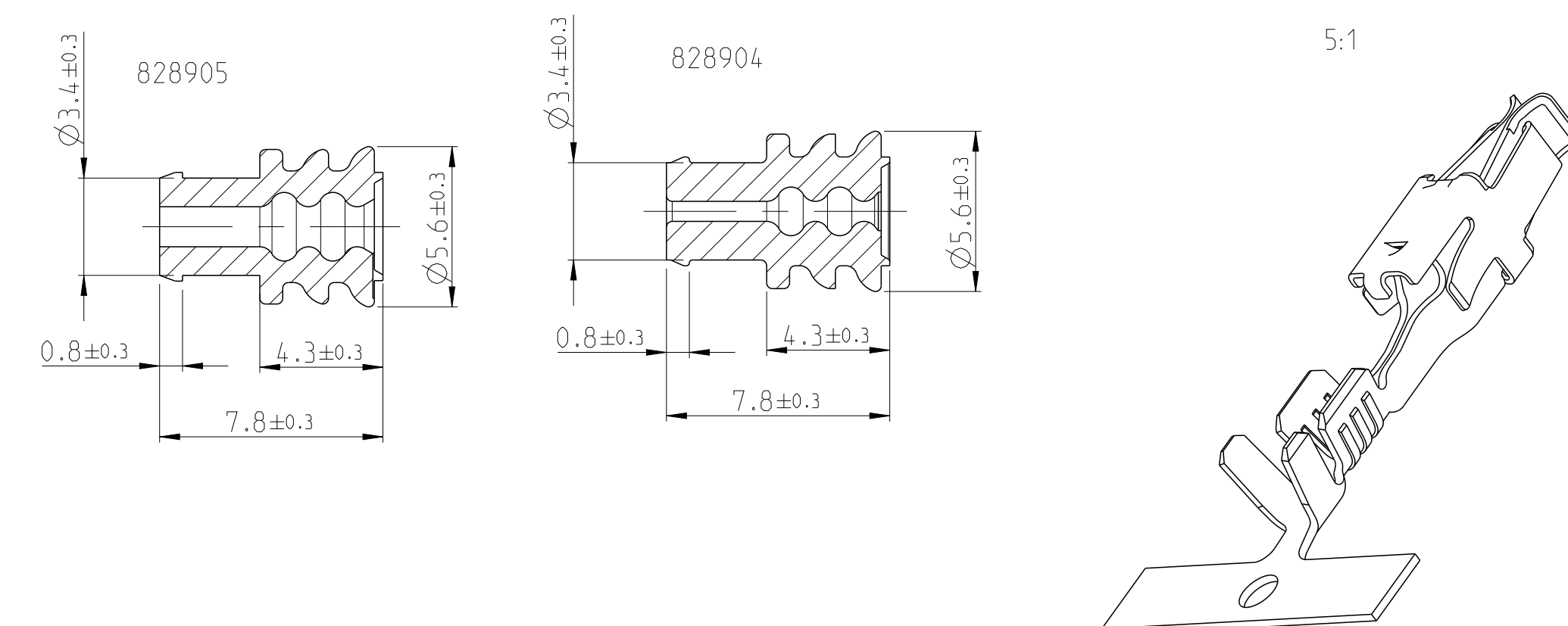
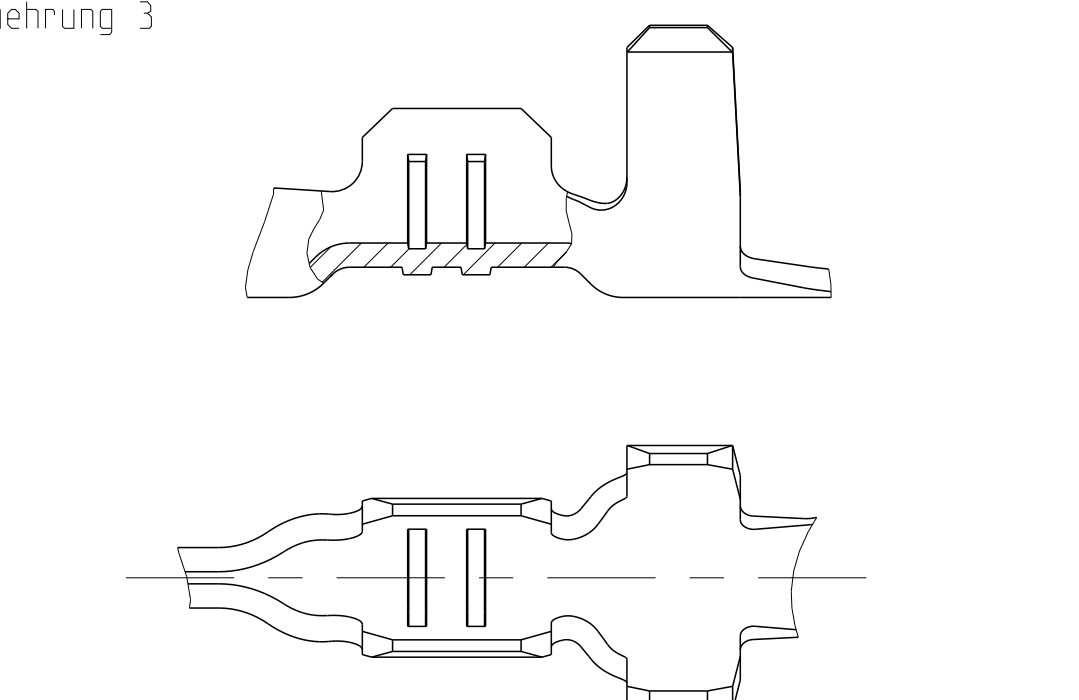
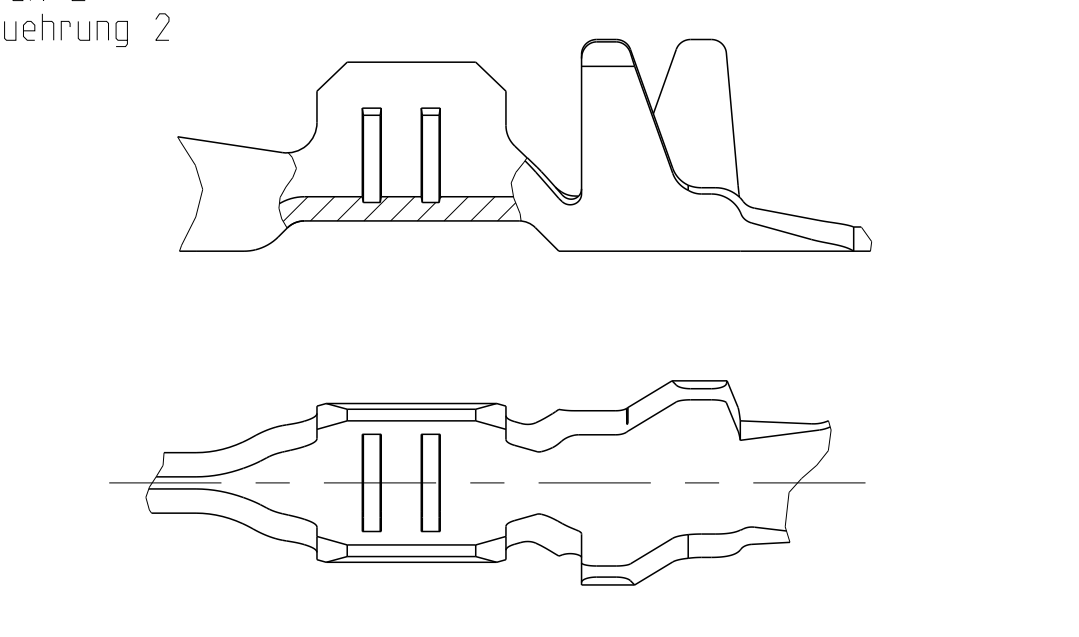
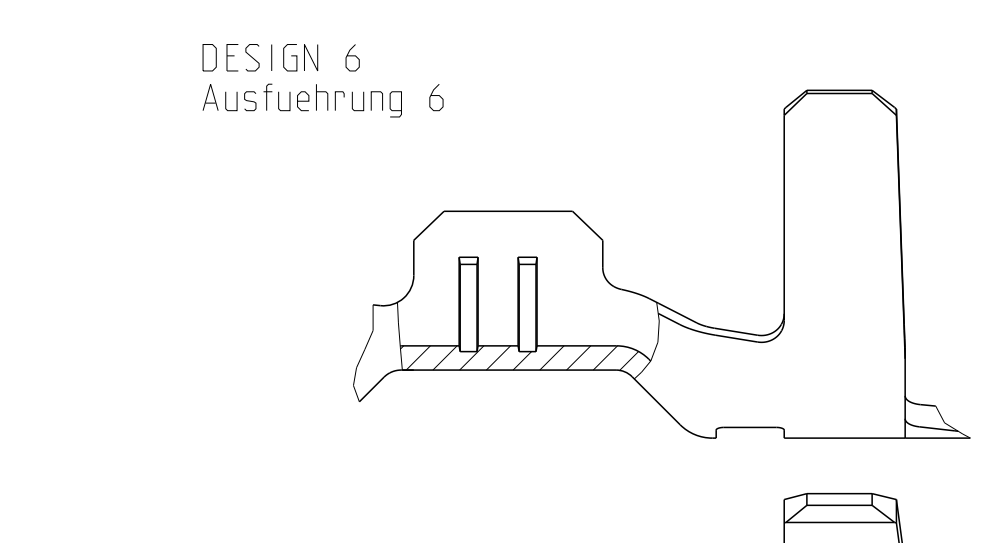
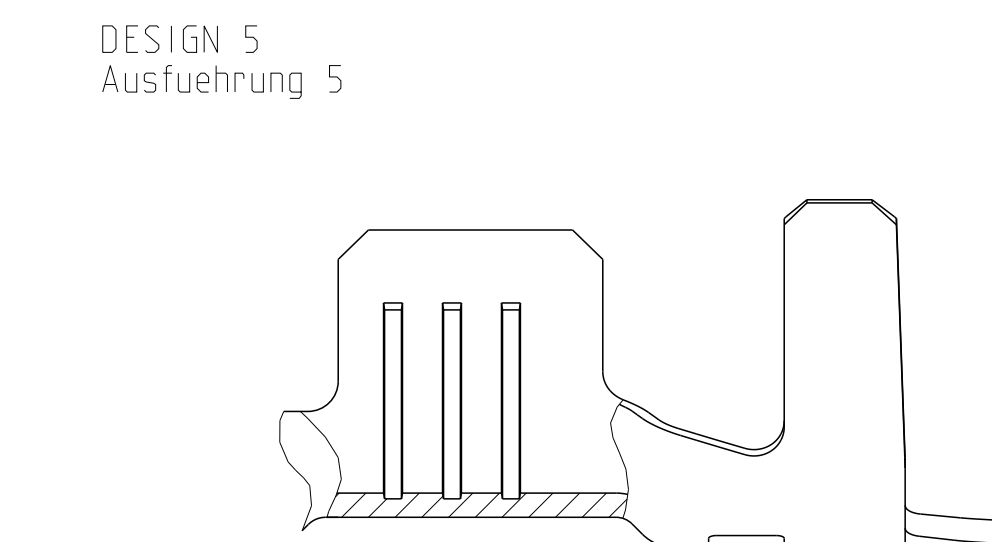
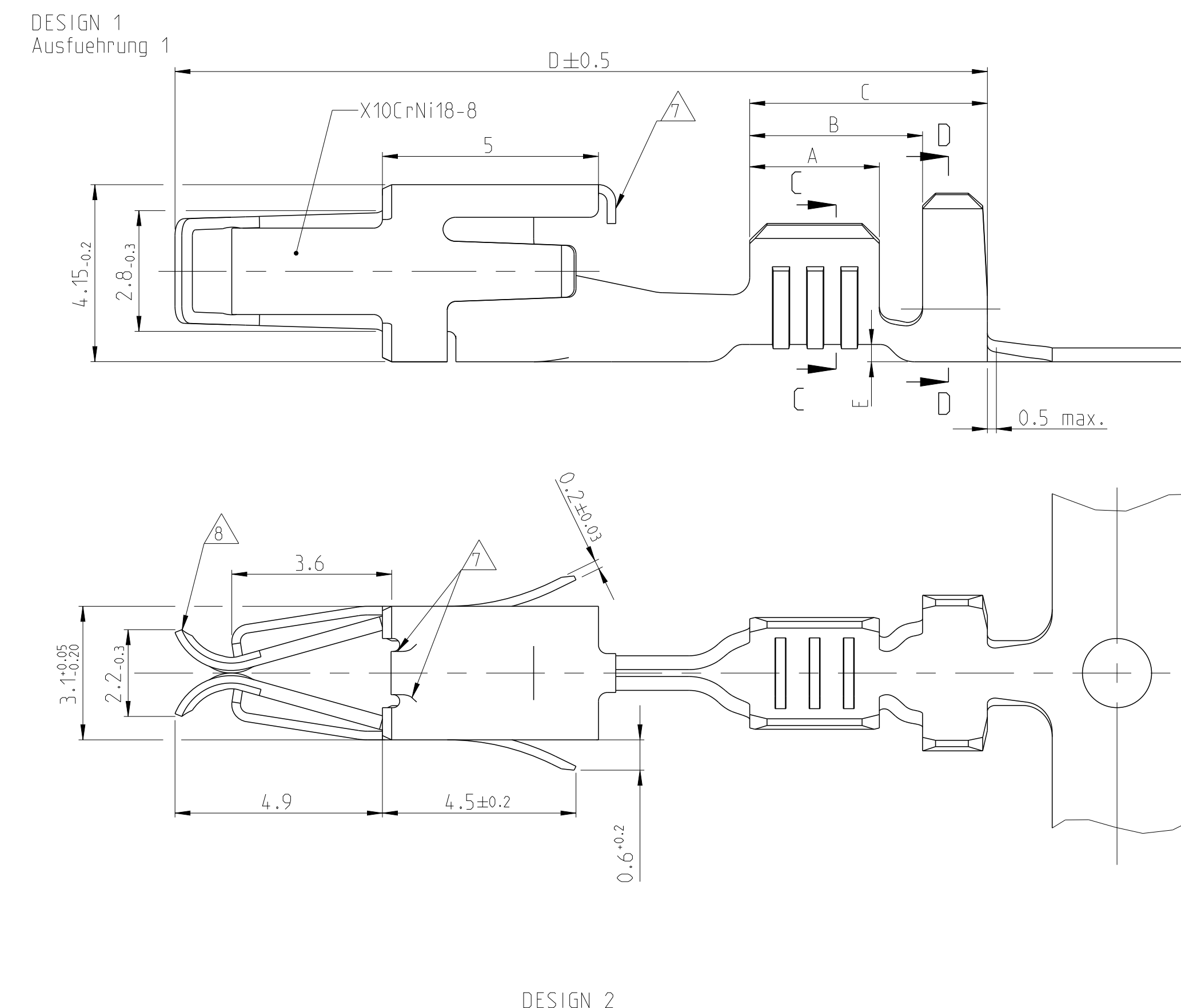
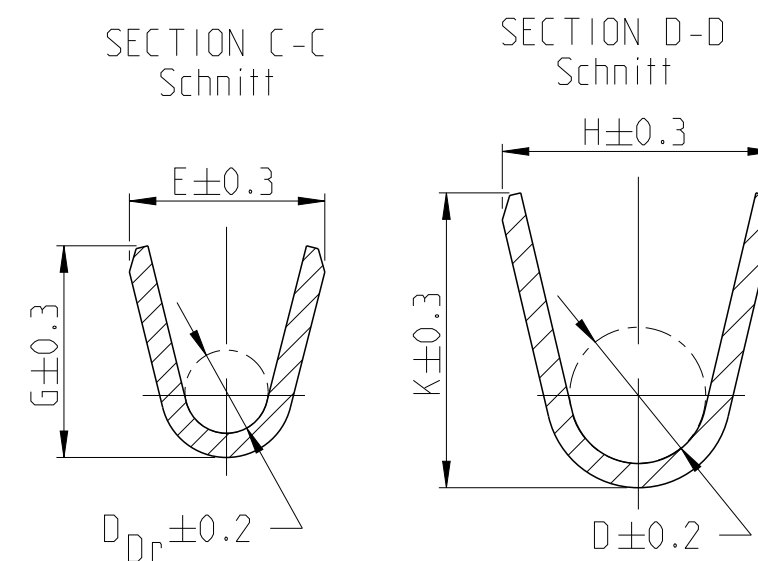


REVISIONS table with columns for No., Description, Date, and Drawn/Checked.

Main specification table with columns: Order No., Design, Material, Surface, Wire Range, Insulation, Strip Form, and Crimp Data.

SEE APPLICATION - SPECIFICATION... Siehe Verarbeitungspezifikation 114-18050



- NOTES (Bemerkungen) list 1-13 providing technical instructions and requirements for the wire assembly.

Controlled Document information including drawing number, date, and customer information.