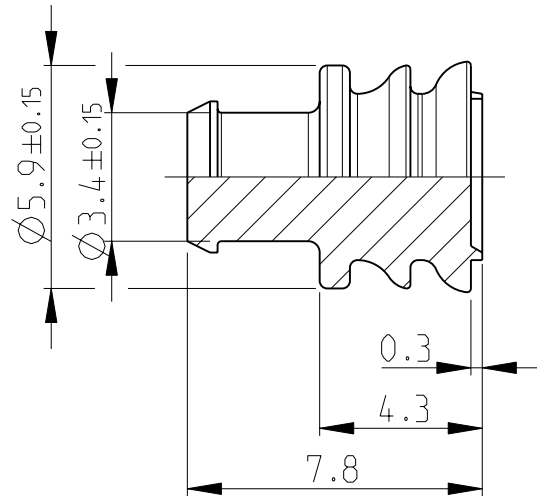
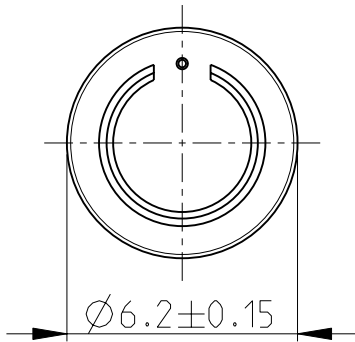


LOC	DIST	REVISIONS				
P	LTR	DESCRIPTION	DATE	DWN	APVD	
A1	-	L8	REVISED PER ECO-11-005150	31MAR2011	RK	HMR



1:1

Keine Lufteinschluesse zulaessig
NO AIR BUBBLES PERMITTED

828922-2	A	GREEN	SILICON MVQ 50
828922-1	L	NATURAL	SILICON MVQ 50
PART NO.	REV.	COLOUR	MATERIAL

RELEASED FOR PUBLICATION

ALL RIGHTS RESERVED.

THIS DRAWING IS UNPUBLISHED.

© COPYRIGHT

DIMENSIONS: mm	DWN Gaupp, P. 17APR1997	MATERIAL	SEE TABLE	FINISH	-
TOLERANCES UNLESS OTHERWISE SPECIFIED: DIN 16901-160	CHK Kuempel, D. 21APR1997	TE Connectivity			
0 PLC ± 1 PLC ± 2 PLC ± 3 PLC ± 4 PLC ± ANGLES ±°	APVD -				
	PRODUCT SPEC 108-18263-1	NAME CAVITY PLUG DIA. 2.5mm SYSTEM DIA. 5.4mm CAVITY			
	APPLICATION SPEC -	SIZE A 4	CAGE CODE 00779	DRAWING NO C-828922	RESTRICTED TO -
	WEIGHT -	CUSTOMER DRAWING			
		SCALE	5:1	SHEET	1 OF 1
				REV	L8