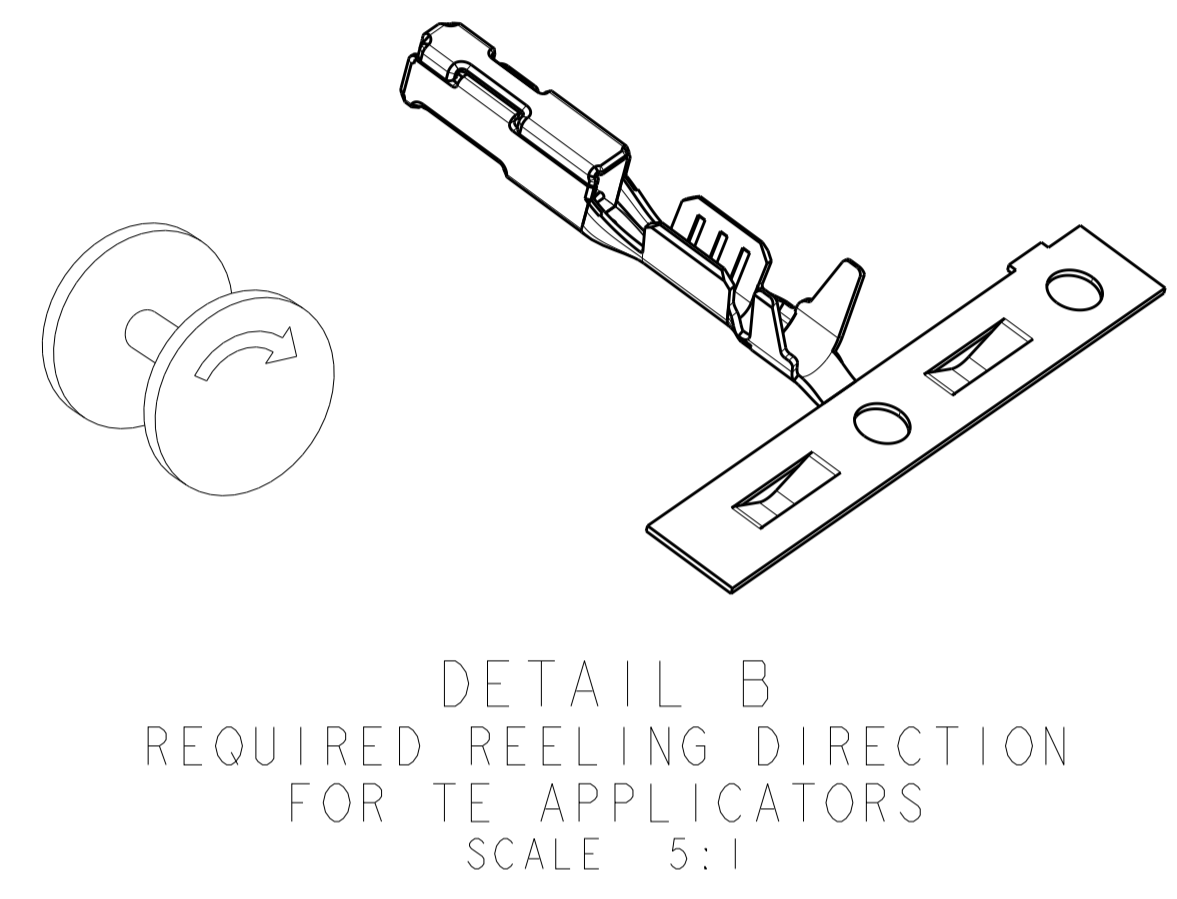
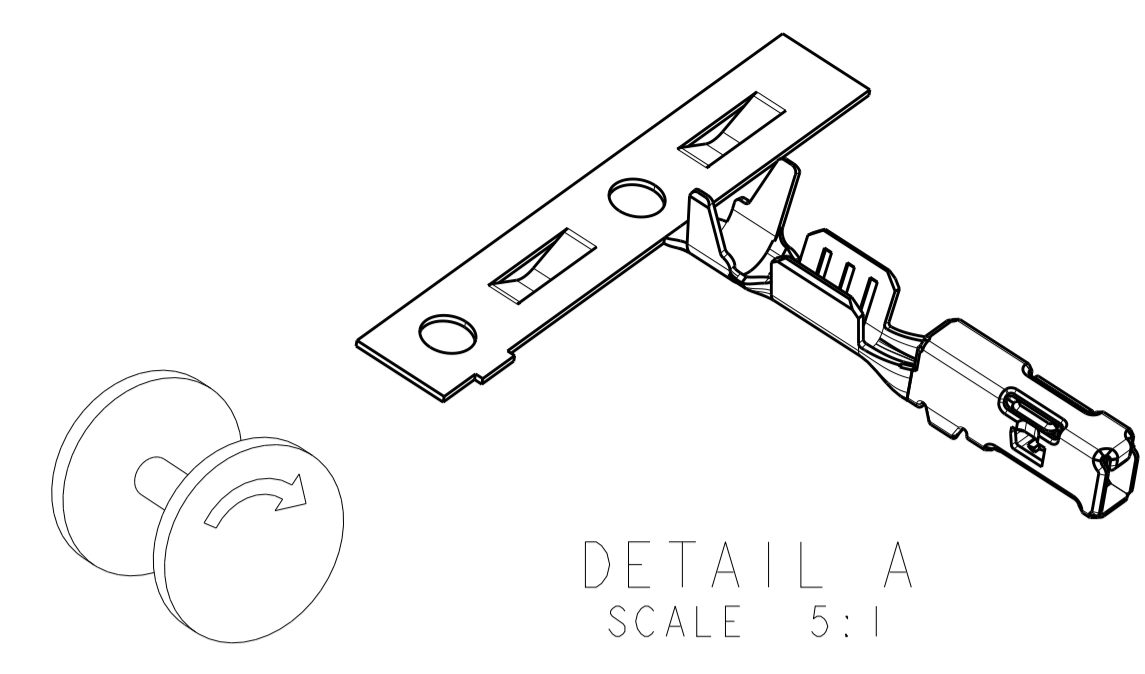
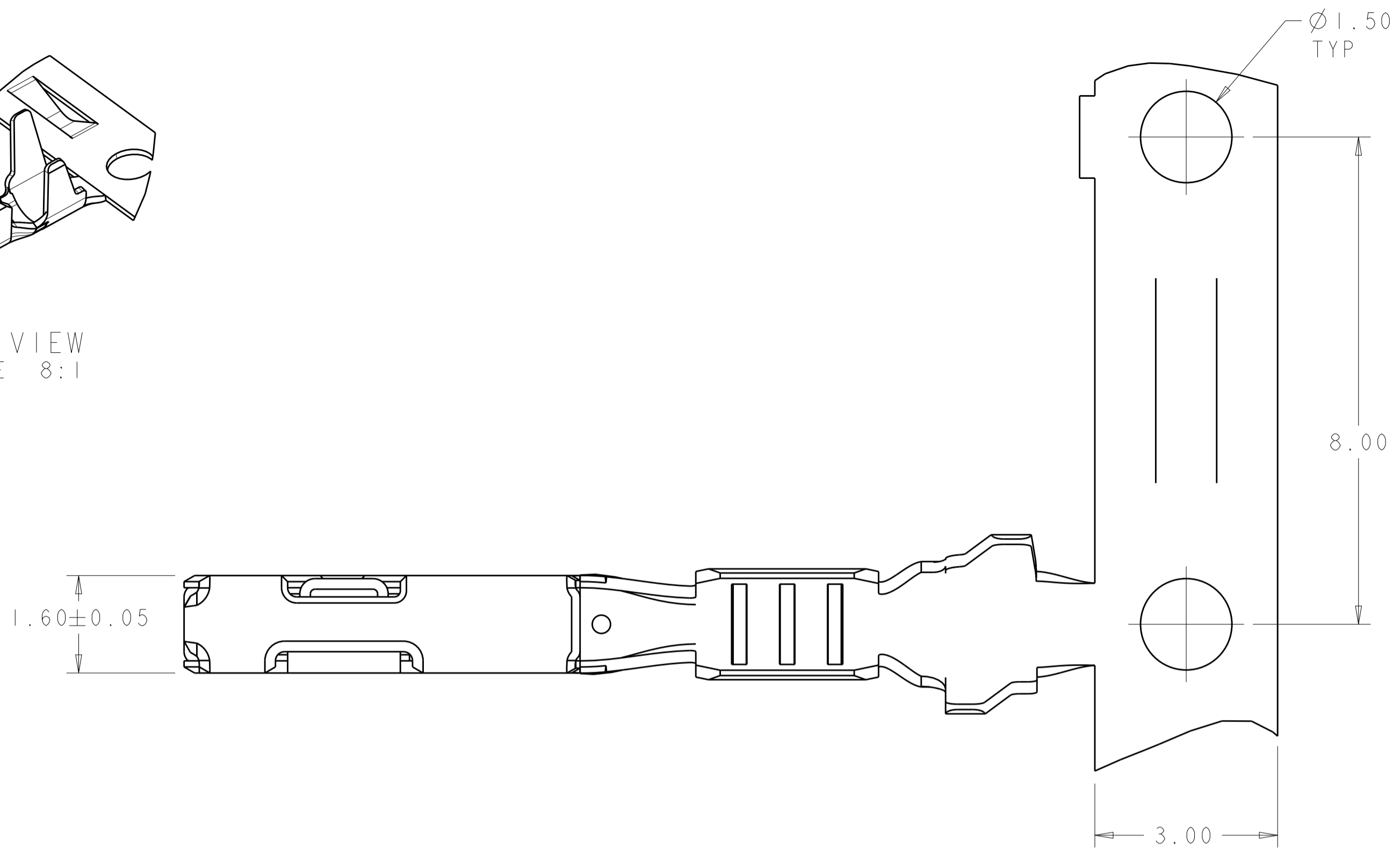
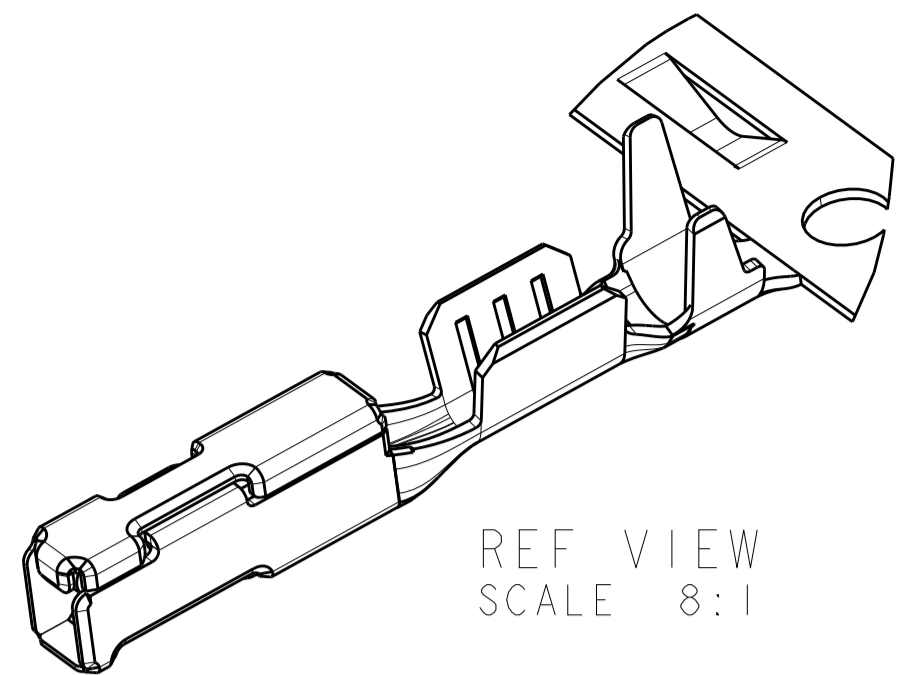
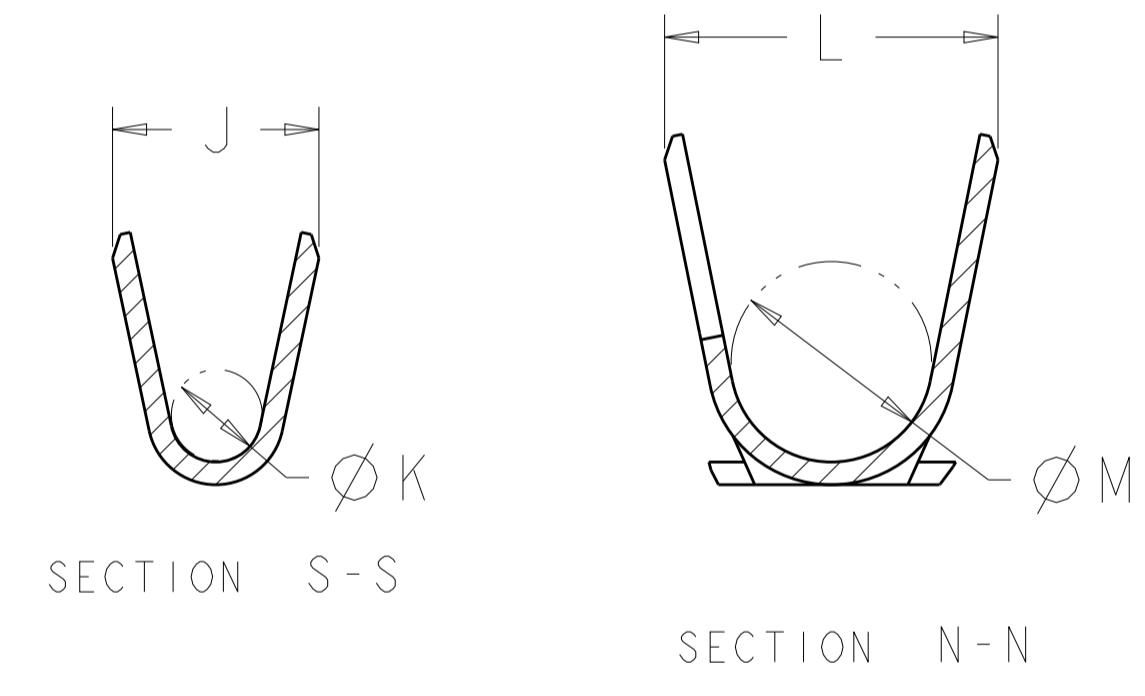
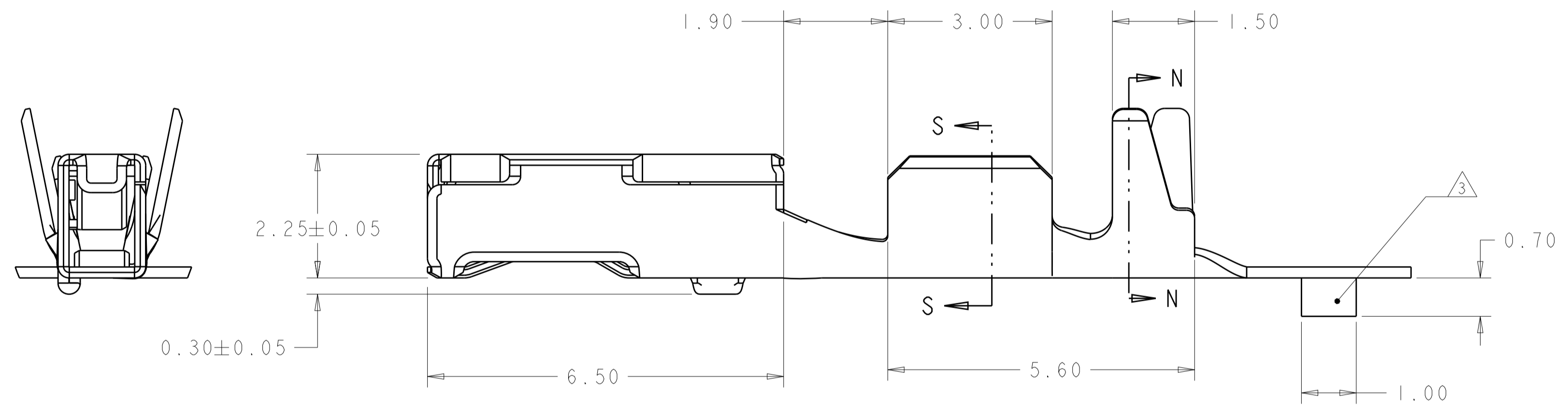


REVISIONS				
P.	LTN	DESCRIPTION	DATE	APVD
C		REVISED PER ECR-16-005516	25APR2016	DLD CJS



- △ MATERIAL: COPPER ALLOY.
- △ FINISH: PRE-PLATED WITH 1.00µm MIN BRIGHT TIN.
- △ MATERIAL ID FEATURE IN "DOWN" POSITION.
- 4. THE INTENDED TEMPERATURE RANGE FOR THIS TERMINAL IS -40°C TO +100°C.
- 5. TERMINAL HAS NYE LUBRICANTS NYETACT 568J-50-UV PERFORMANCE LUBE/GREASE APPLIED. THIS IS A WHITISH COLORED LUBE. AMOUNT AND VISIBILITY MAY VARY.
- △ NOT FOR SEALED APPLICATIONS.
- △ SEALING CAPABILITY MUST BE VALIDATED ON AN APPLICATION BASIS.



0.13mm ² = 0.85-1.05	DETAIL B	1.40	2.40	0.80	1.85	△ 2 △ 3	2X 0.13mm ² △ 6	2035334-8
0.35mm ² = 1.10-1.40							0.35mm ² △ 7	
0.85-1.05	DETAIL B	0.85	1.82	0.65	1.50	△ 2 △ 3	26 [0.13mm ²]	2035334-7 △ 6
0.13mm ² = 0.85-1.05	DETAIL A	1.40	2.40	0.80	1.85	△ 2 △ 3	2X 0.13mm ² △ 6	2035334-6
0.35mm ² = 1.10-1.40							0.35mm ² △ 7	
0.85-1.05	DETAIL A	0.85	1.82	0.65	1.50	△ 2 △ 3	26 [0.13mm ²]	2035334-5 △ 6
2.06 MAX	DETAIL B	1.78	2.94	1.00	1.96	△ 2 △ 3	18 [0.75mm ²]	2035334-4
1.50-1.85	DETAIL B	1.78	2.94	0.80	1.82	△ 2 △ 3	20-22 [0.5-0.35mm ²]	2035334-3
2.06 MAX	DETAIL A	1.78	2.94	1.00	1.96	△ 2 △ 3	18 [0.75mm ²]	2035334-2
1.50-1.85	DETAIL A	1.78	2.94	0.80	1.82	△ 2 △ 3	20-22 [0.5-0.35mm ²]	2035334-1
INSULATION DIAMETER	REELING	M	L	K	J	FINISH	WIRE SIZE	PART NUMBER

THIS DRAWING IS A CONTROLLED DOCUMENT.

DWN: R. VESTAL 01JUL2008
 CHK: C. SCHMID 01JUL2008
 APVD: C. SCHMID 01JUL2008

DIMENSIONS: mm
 TOLERANCES UNLESS OTHERWISE SPECIFIED:
 0 PLC ±
 1 PLC ±0.15
 2 PLC ±
 3 PLC ±
 4 PLC ±
 ANGLES ±
 FINISH ±

MATERIAL: △
 FINISH: △

CUSTOMER DRAWING
 SCALE: 15:1
 SHEET: 1 OF 1
 REV: C

STE TE Connectivity
 CONTACT, FEMALE, 0.64, GENERATION Y SEALED APPLICATIONS
 SIZE: A1
 CAGE CODE: 100779
 DRAWING NO: 114-13183
 WEIGHT: -
 PRODUCT SPEC: 108-2296
 APPLICATION SPEC: 114-13183