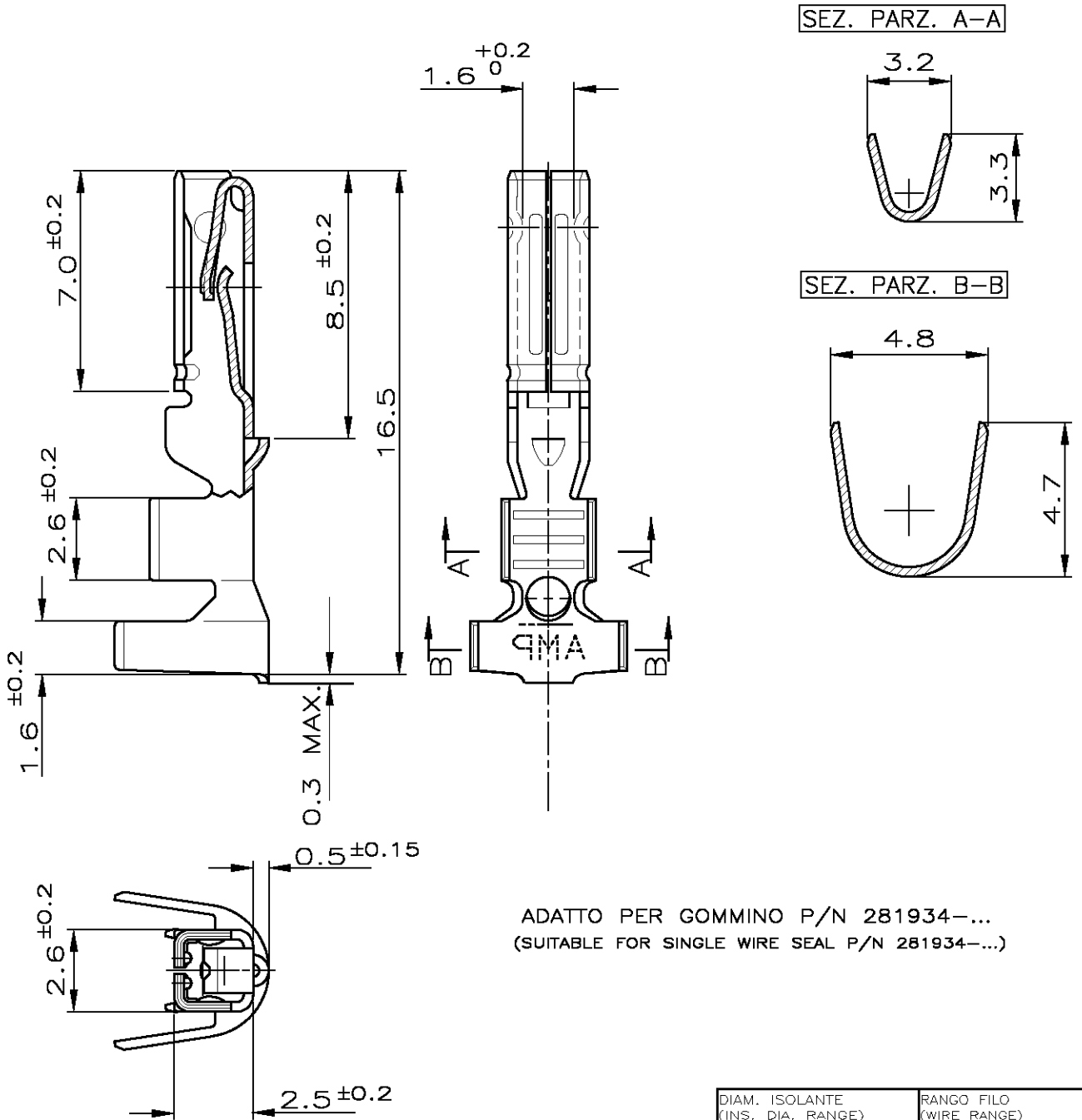


METRIC

LOC	DIST	REVISIONS					
I	—	P	LTR	DESCRIPTION	DATE	DWN	APVD
		C4		REVISED PER ECR-13-003131	20MAY2013	M.G.	M.G.

THIS DRAWING IS A CONTROLLED DOCUMENT.



ADATTO PER GOMMINO P/N 281934-...
(SUITABLE FOR SINGLE WIRE SEAL P/N 281934-...)

DIAM. ISOLANTE (INS. DIA. RANGE)	RANGO FILO (WIRE RANGE)
VED. NOTA	0.75-1.5mm ²

CUSTOMER DWG. FOR REFERENCE ONLY	PRE-STAGNATO (PRE-TINNED)	BRONZO FOSFOROSO (PH.BRONZE)	(RICAVATO DA 282110-1) (MADE FROM 282110-1)
	FINITURA / COLORE (FINISH / COLOUR)	MATERIALE (MATERIAL)	NUMERO (PART NUMBER)
DISEGNO PER CLIENTE SOLO PER RIFERIMENTO			183025-1

DIMENSIONS: mm	DWN	Bassano	9 NOV.90	MATERIAL	—	FINISH	—
	CHK	Bertini	9 NOV.90				
TOLERANCES UNLESS OTHERWISE SPECIFIED:	APVD	—	—				
0 PLC ± —	PRODUCT SPEC	—	NAME	(LOOSE PIECE VERSION)			
1 PLC ± 0.3	APPLICATION SPEC	—	MINI MIC SRS REC. CONTACT	SIZE	CAGE CODE	DRAWING NO	RESTRICTED TO
2 PLC ± —	WEIGHT	—	A4	00779	C-183025	—	
3 PLC ± —							
4 PLC ± —							
ANGLES ± 2°							
CUSTOMER DRAWING				SCALE	5:1	SHEET	1 OF 1
				REV	C4		