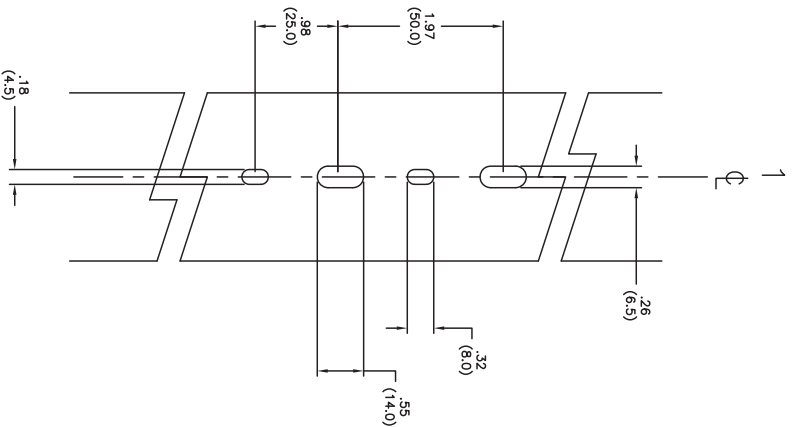
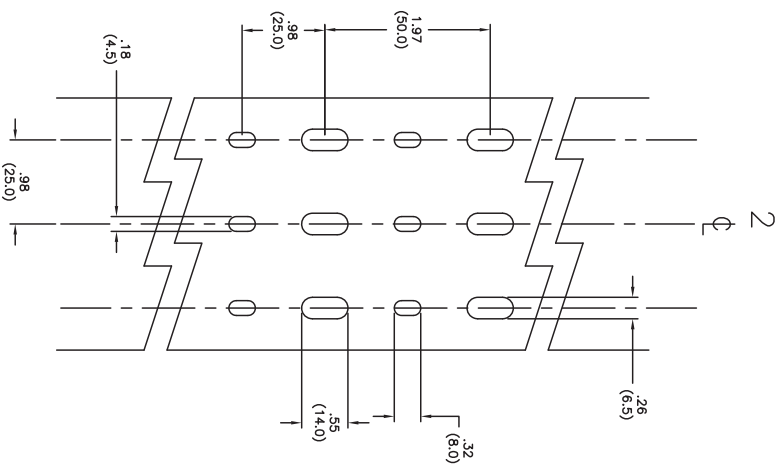


MOUNTING STYLE



MOUNTING STYLE



TITLE: MOUNTING STYLE DETAIL		DWG IN IN (MM)		PRINT TYPE	
TOLERANCES UNLESS NOTED		PART #		SRWD & SRWDN	
FILE #	SRWD	DWN: J.B.	APP:	CA	
MAT'L: SEE NOTES		DT: 12-14-96	DT:		
RE: RICHCO, INC.		RICHCO INC.			
		PO BOX 804238, CHICAGO, 60680			
		(773) 539-4060			

B	CHANGED FILE NO.	SM 10.29.01
A	MOUNTING HOLE SPACING CHANGED	JIB 02.29.96
REV	DESCRIPTION	ENGR DATE