

VS-08-T-H-RJ45/IP67 - RJ45 sleeve housings



1652732

<https://www.phoenixcontact.com/us/products/1652732>

Please be informed that the data shown in this PDF document is generated from our online catalog. Please find the complete data in the user documentation. Our general terms of use for downloads are valid.



RJ45 sleeve housings, design: RJ45, degree of protection: IP67, number of positions: 8, material: PA, cable outlet: straight, color: traffic grey A RAL 7042, Ethernet

Your advantages

- Simple operation
- IP65/67
- High-quality and inexpensive solution in the IP protection zone

Commercial data

Item number	1652732
Packing unit	5 pc
Minimum order quantity	5 pc
Sales key	AB17
Product key	ABNNAZ
Catalog page	Page 350 (C-2-2019)
GTIN	4017918952877
Weight per piece (including packing)	13.92 g
Weight per piece (excluding packing)	13.92 g
Customs tariff number	85389099
Country of origin	DE

VS-08-T-H-RJ45/IP67 - RJ45 sleeve housings

1652732

<https://www.phoenixcontact.com/us/products/1652732>

Technical data

Product properties

Product type	Sleeve housings
Type	RJ45
Sensor type	Ethernet
Number of positions	8
No. of cable outlets	1
Cable outlet	straight

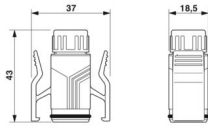
Insulation characteristics

Overvoltage category	I
Degree of pollution	2

Electrical properties

Rated voltage (III/3)	72 V (DC)
-----------------------	-----------

Dimensions

Dimensional drawing	
Width	38.4 mm
Height	19.9 mm
Length	45 mm

Material specifications

Color	traffic grey A RAL 7042
Flammability rating according to UL 94	V0
Housing material	PA
Cable seal material	NBR
O-ring material	FPM

Cable/line

External cable diameter	5 mm ... 8.5 mm
-------------------------	-----------------

Mechanical properties

Mechanical data

Insertion/withdrawal cycles	≥ 1000
-----------------------------	--------

Environmental and real-life conditions

Ambient conditions

Degree of protection	IP67
----------------------	------

VS-08-T-H-RJ45/IP67 - RJ45 sleeve housings



1652732

<https://www.phoenixcontact.com/us/products/1652732>

Ambient temperature (operation)

-40 °C ... 80 °C

VS-08-T-H-RJ45/IP67 - RJ45 sleeve housings

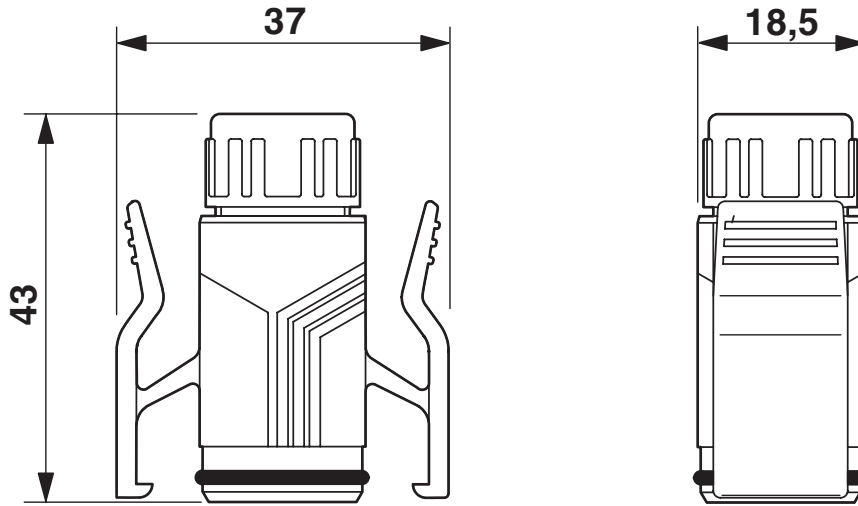


1652732

<https://www.phoenixcontact.com/us/products/1652732>

Drawings

Dimensional drawing



RJ45 sleeve housing IP67

VS-08-T-H-RJ45/IP67 - RJ45 sleeve housings



1652732

<https://www.phoenixcontact.com/us/products/1652732>

Classifications

ECLASS

ECLASS-11.0	27440202
ECLASS-12.0	27440202
ECLASS-13.0	27440224

ETIM

ETIM 9.0	EC000437
----------	----------

UNSPSC

UNSPSC 21.0	31261500
-------------	----------

VS-08-T-H-RJ45/IP67 - RJ45 sleeve housings



1652732

<https://www.phoenixcontact.com/us/products/1652732>

Environmental product compliance

EU RoHS

Fulfills EU RoHS substance requirements	Yes, No exemptions
---	--------------------

China RoHS

Environment friendly use period (EFUP)	EFUP-E
	No hazardous substances above the limits

EU REACH SVHC

REACH candidate substance (CAS No.)	6,6'-di-tert-butyl-2,2'-methylenedi-p-cresol(CAS: 119-47-1)
SCIP	ec5ae543-8bba-46c8-9174-07965d2283c9

VS-08-T-H-RJ45/IP67 - RJ45 sleeve housings



1652732

<https://www.phoenixcontact.com/us/products/1652732>

Accessories

VS-08-ST-H11-RJ45 - RJ45 male insert

1652716

<https://www.phoenixcontact.com/us/products/1652716>



RJ45 pin insert, CAT5, 8-pos., shielded, IDC connection technology, for 27 ... 26 AWG litz wires, with strain relief

VS-08-ST-H21-RJ45 - RJ45 male insert

1652729

<https://www.phoenixcontact.com/us/products/1652729>



RJ45 male insert, CAT6, 8-pos., shielded, IDC displacement connection, for litz wire AWG 25 ... 24 and solid wires AWG 24, with strain relief

VS-08-T-H-RJ45/IP67 - RJ45 sleeve housings



1652732

<https://www.phoenixcontact.com/us/products/1652732>

VS-08-RJ45-10G/C - RJ45 male insert

1418853

<https://www.phoenixcontact.com/us/products/1418853>

Male insert RJ45, CAT6_A, 10 Gigabit



VS-SCRJ-PC - Protective cover

1653757

<https://www.phoenixcontact.com/us/products/1653757>

IP67 protective cover, for covering the male inserts in the sleeve housings IP67, VS-SC-RJ-..., VS-04-..., VS-06-... and VS-08-...



Phoenix Contact 2024 © - all rights reserved
<https://www.phoenixcontact.com>

Phoenix Contact USA
586 Fulling Mill Road
Middletown, PA 17057, United States
(+717) 944-1300
info@phoenixcon.com