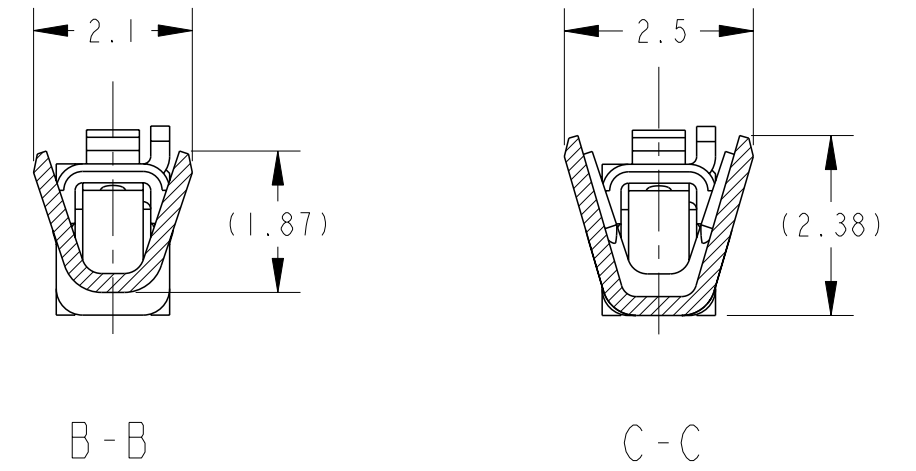
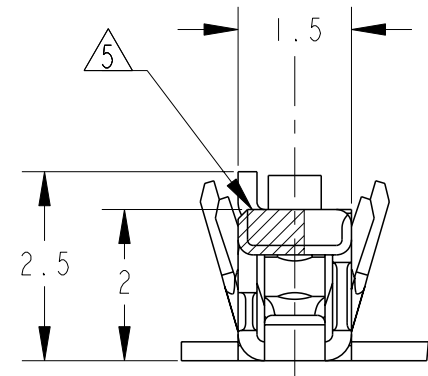
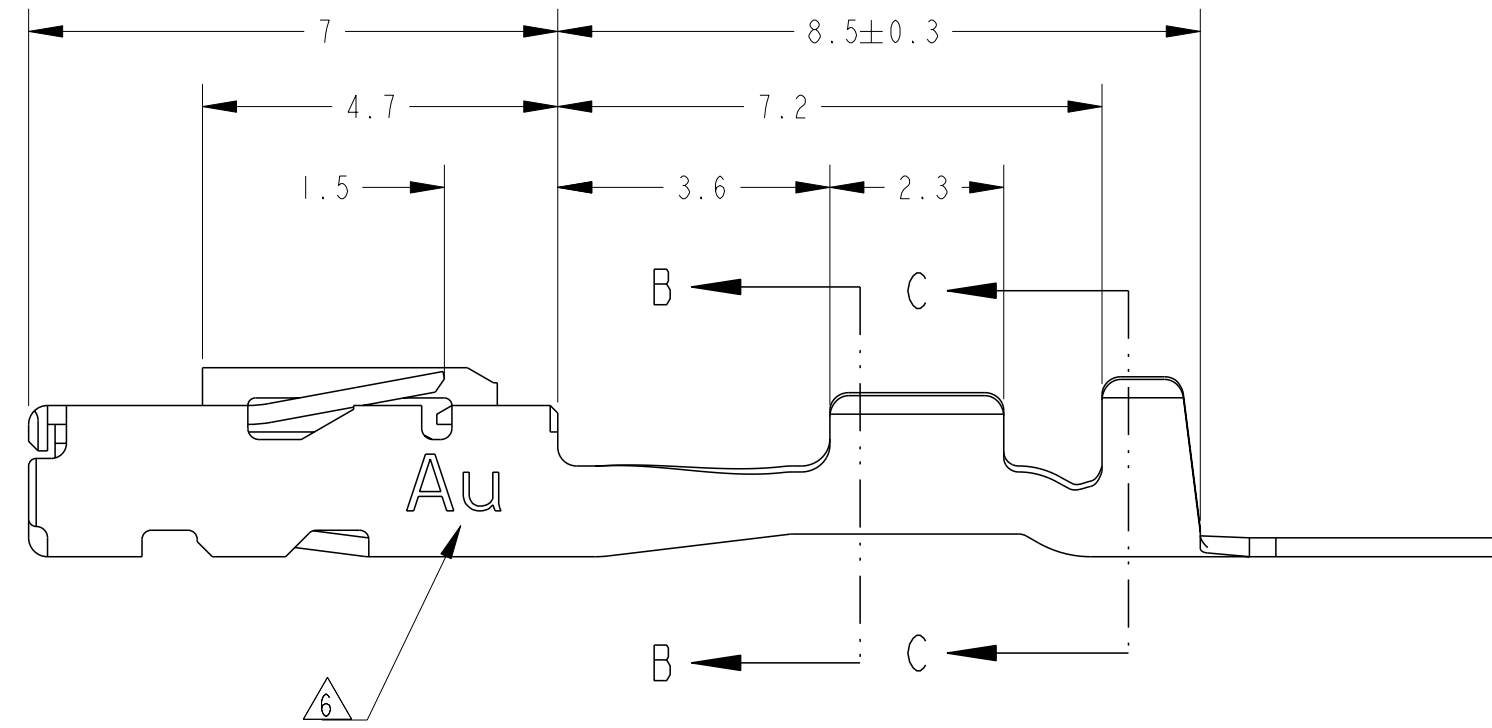
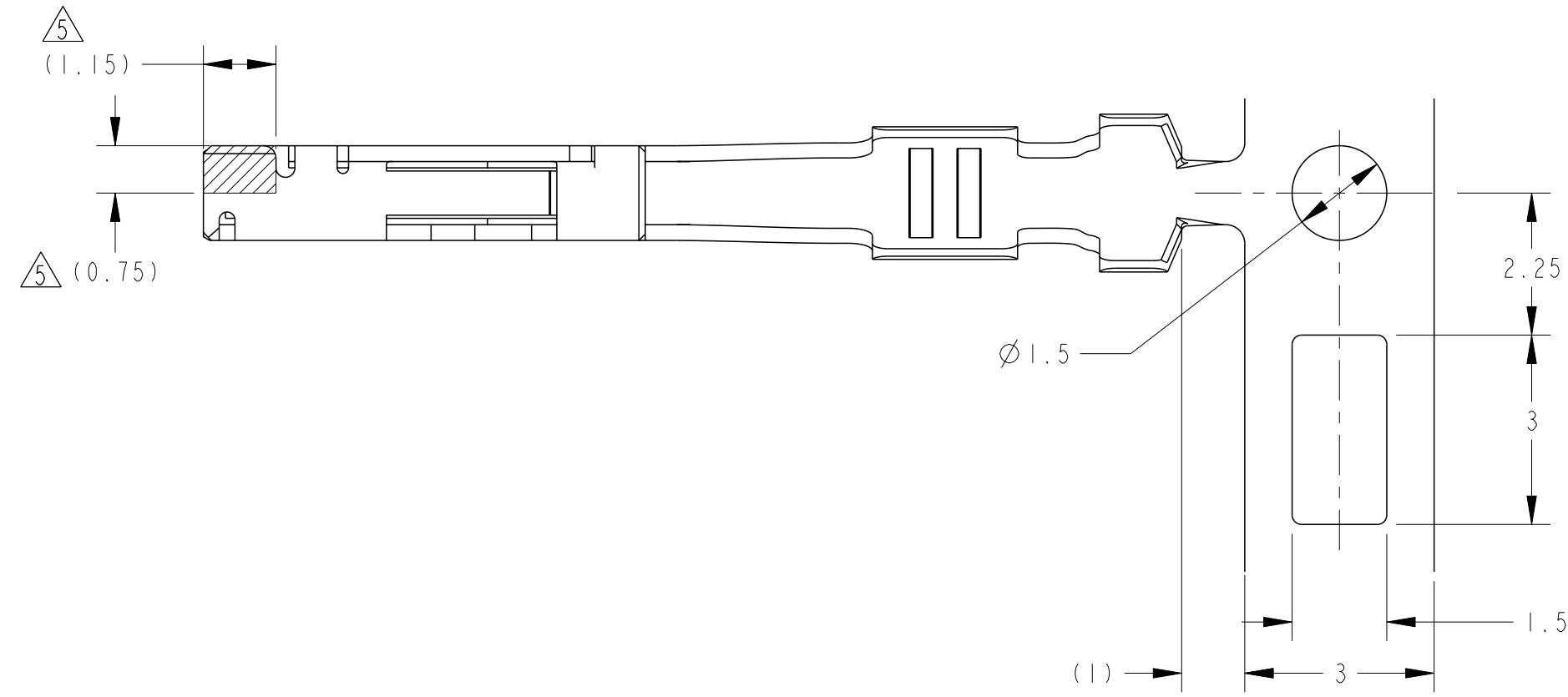
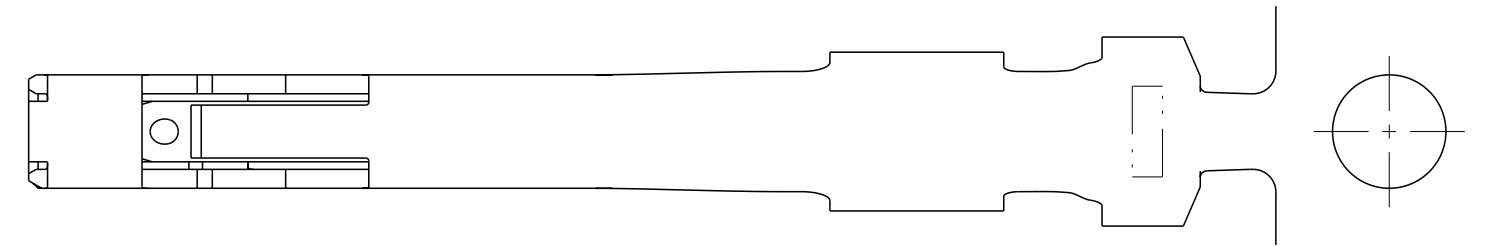


LOC J
 NIST

REVISIONS				
P	LTR	DESCRIPTION	DATE	APVD
P		REVISED PER ECO-11-005140	02APR2011	RK HMR
PI		REVISED ECR-11-007131	14JUN11	RK HY
R		REVISED ECR-15-013494	18SEP2015	KK RK



1. 適用電線:
 AVSS, AVSSH-f 0.3-0.5mm²
 CAVS, CAVUS 0.22-0.5mm²
 2. 取付適用規格; 114-5250
 3. アプリケータ送りピッチ; 7.5mm
 4. パラ端子型番;
 PRE-TIN; 1318143-1
 SELECTIVE GOLD; 1318143-2
- △ 識別用金めっき範囲を示す。
 △ 識別用刻印
1. APPLICABLE WIRE RANGE ;
 AVSS, AVSSH-f 0.3-0.5mm²
 CAVS, CAVUS 0.22-0.5mm²
 2. APPLICATION SPEC ; 114-5250
 3. APPLICATOR FEED; 7.5mm.
 4. P/N OF LOOSE PIECE ;
 PRE-TIN; 1318143-1
 SELECTIVE GOLD; 1318143-2
- △ GOLD PLATED AREA FOR DISCRIMINATION.
 △ MARKING FOR IDENTIFICATION.



SEE DRAWING 1123343-7	1123343-7
OBSOLETE	1123343-5
△5△6 SELECTIVE GOLD	1123343-2
PRE-TIN	1123343-1
FINISH	PART NO.

WIRE RANGE 総合電線断面積 0.22-0.56mm² INSULATION DIA 被覆外径 Ø0.95-1.7



NAME 025 RECEPTACLE CONTACT
 名称 025 RECEPTACLE CONTACT

SIZE A2 CAGE CODE 00779 DRAWING NO. 114-5250 RESTRICTED TO

THIS DRAWING IS A CONTROLLED DOCUMENT.		DWN H. YAMAGAMI 25JAN99
DIMENSIONS: 単位: 概 (mm)		CHK T. KOHNO 25JAN99
TOLERANCES UNLESS OTHERWISE SPECIFIED: 一般公差 = ± 0.2		APVD N. SAI 25JAN99
0-PLC ±	1-PLC ±0.1	PRODUCT SPEC
2-PLC ±0.15	3-PLC ±0.001	APPLICATION SPEC
4-PLC ±0.0001	ANGLES ±3°00'	取付適用規格 114-5250
MATERIAL 材料 COPPER ALLOY	FINISH 仕上 見 TABLE	WEIGHT 0.2g
Customer Drawing		SCALE 10:1 SHEET 1 OF 1 REV R