

Customer Information Sheet

DRAWING No.: M50-314XX45X

SHEET 3 OF 4

IF IN DOUBT - ASK

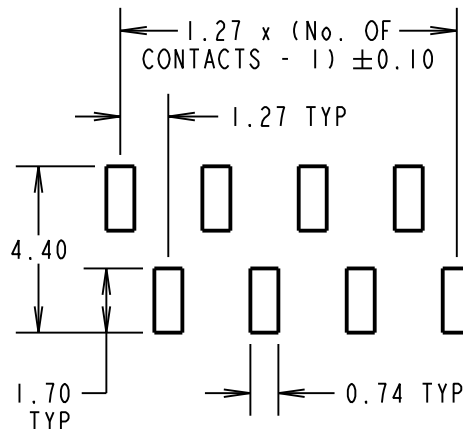
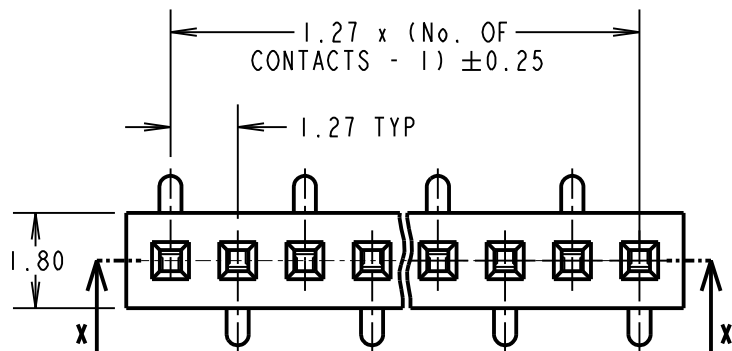
©

NOT TO SCALE

THIRD ANGLE PROJECTION

ALL DIMENSIONS IN mm

RECOMMENDED PCB LAYOUT
(TOLERANCE = ± 0.05)



SPECIFICATIONS:

MATERIAL:

MOULDING = PA9T, UL94V-0, BLACK

CONTACT = PHOSPHOR BRONZE

FINISH = 0.012μ MIN GOLD, OVER

0.76μ - 1.52μ NICKEL

ELECTRICAL:

CURRENT RATING = 1A

DIELECTRIC VOLTAGE = 500V AC FOR ONE MINUTE

CONTACT RESISTANCE = $20\text{m}\Omega$ MAX

INSULATION RESISTANCE = $1000\text{M}\Omega$ MIN

MECHANICAL:

DURABILITY = 300 CYCLES MIN

INSERTION FORCE = 1.17N MAX PER CONTACT

WITHDRAWAL FORCE = 0.19N MIN PER CONTACT

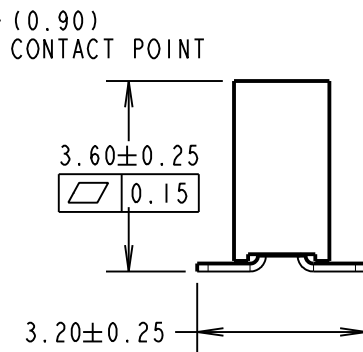
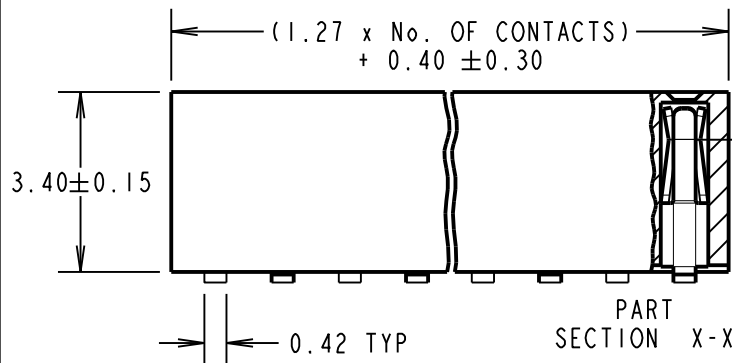
ENVIRONMENTAL:

OPERATING TEMPERATURE = -40°C - $+105^\circ\text{C}$

PACKING:

TUBE (02 CONTACT SIZE PACKED IN BOX)

FOR COMPLETE SPECIFICATIONS, SEE COMPONENT SPECIFICATION C029XX (LATEST ISSUE)



ORDER CODE:
M50-314XX45X

No. OF CONTACTS: _____
02 TO 06, 08, 10, 20

PACKING: _____
BLANK = TUBE
R = TAPE AND REEL (SHEET 4)

MSP	3	14.08.17	20647
NAME	ISS.	DATE	C/NOTE
APPROVED: M.PERREN			
CHECKED: M.PLESTED			
DRAWN: S.BENNETT			
CUSTOMER REF.:			
ASSEMBLY DRG:			

NOTES:
1. FOR TAPE AND REEL DETAILS, SEE SHEET 4.

HARWIN

www.harwin.com
technical@harwin.com

THIS DRAWING AND ANY INFORMATION OR DESCRIPTIVE MATTER SET OUT HEREON ARE CONFIDENTIAL AND COPYRIGHT PROPERTY OF THE HARWIN GROUP AND MUST NOT BE DISCLOSED, LOANED, COPIED OR USED FOR MANUFACTURING, TENDERING OR FOR ANY OTHER PURPOSE WITHOUT THEIR WRITTEN PERMISSION.

TOLERANCES
X. = $\pm 1\text{mm}$
X.X = $\pm 0.50\text{mm}$
X.XX = $\pm 0.10\text{mm}$
X.XXX = $\pm 0.01\text{mm}$
ANGLES = $\pm 5^\circ$
UNLESS STATED

MATERIAL:
SEE ABOVE

FINISH: SEE ABOVE

S/AREA: mm²

TITLE:
1.27mm PITCH, SIL VERTICAL SMT SOCKET

DRAWING NUMBER:
M50-314XX45X

SHT
3
OF
4

Customer Information Sheet

DRAWING No.: M50-314XX45X

SHEET 4 OF 4

IF IN DOUBT - ASK

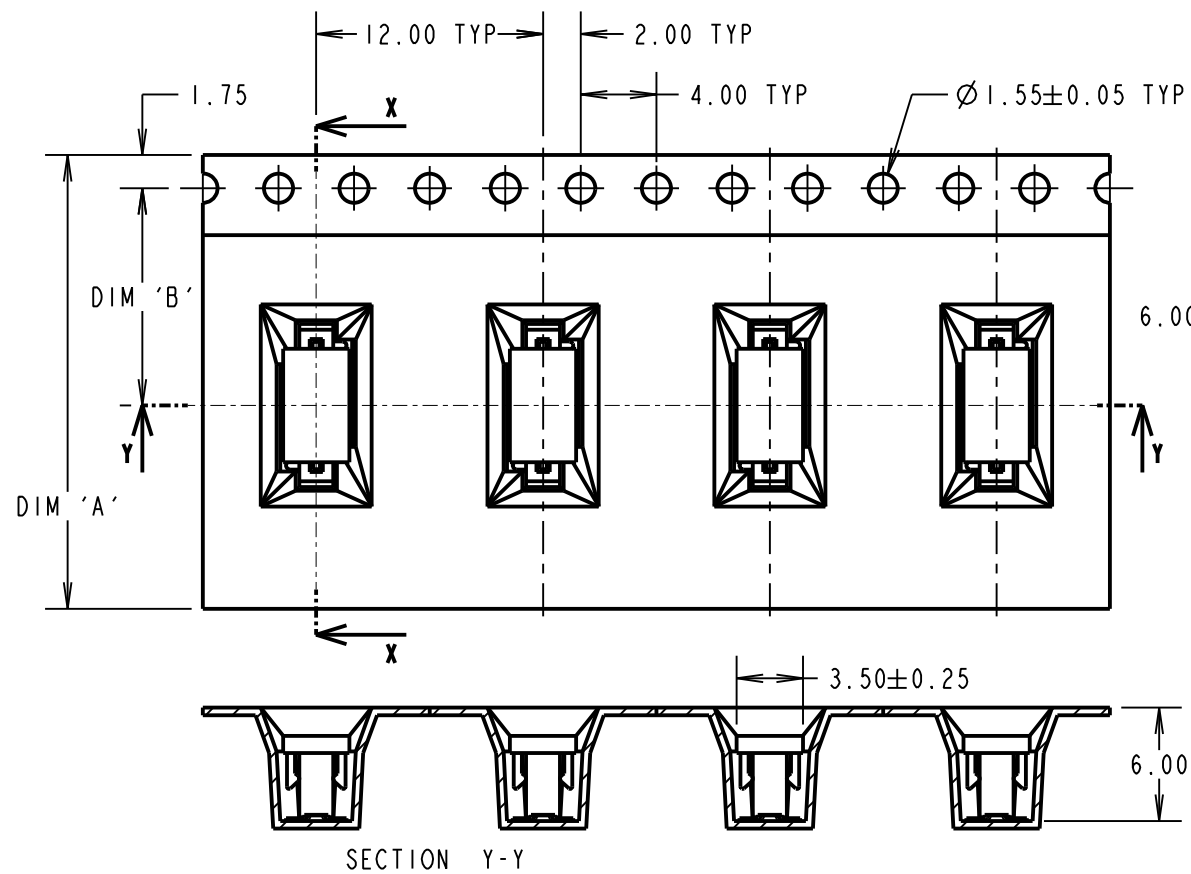
©

NOT TO SCALE

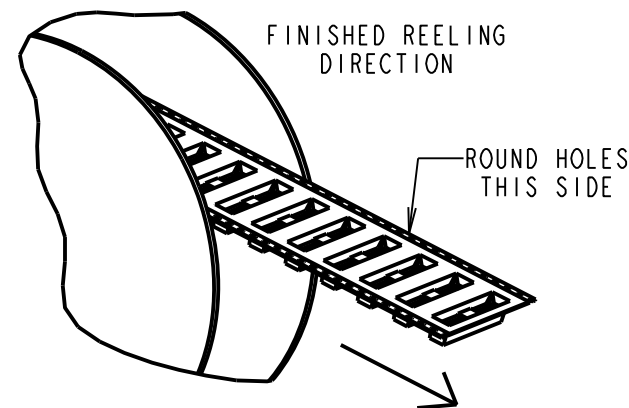
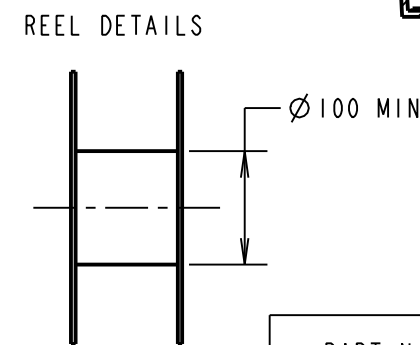
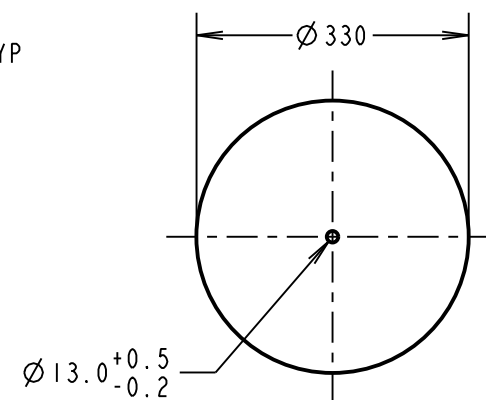
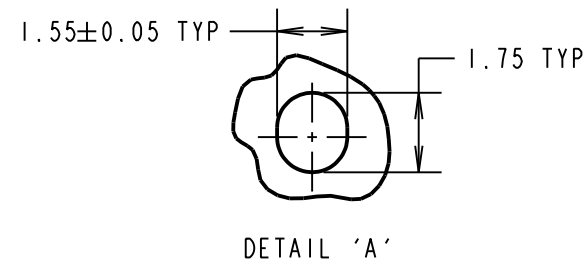
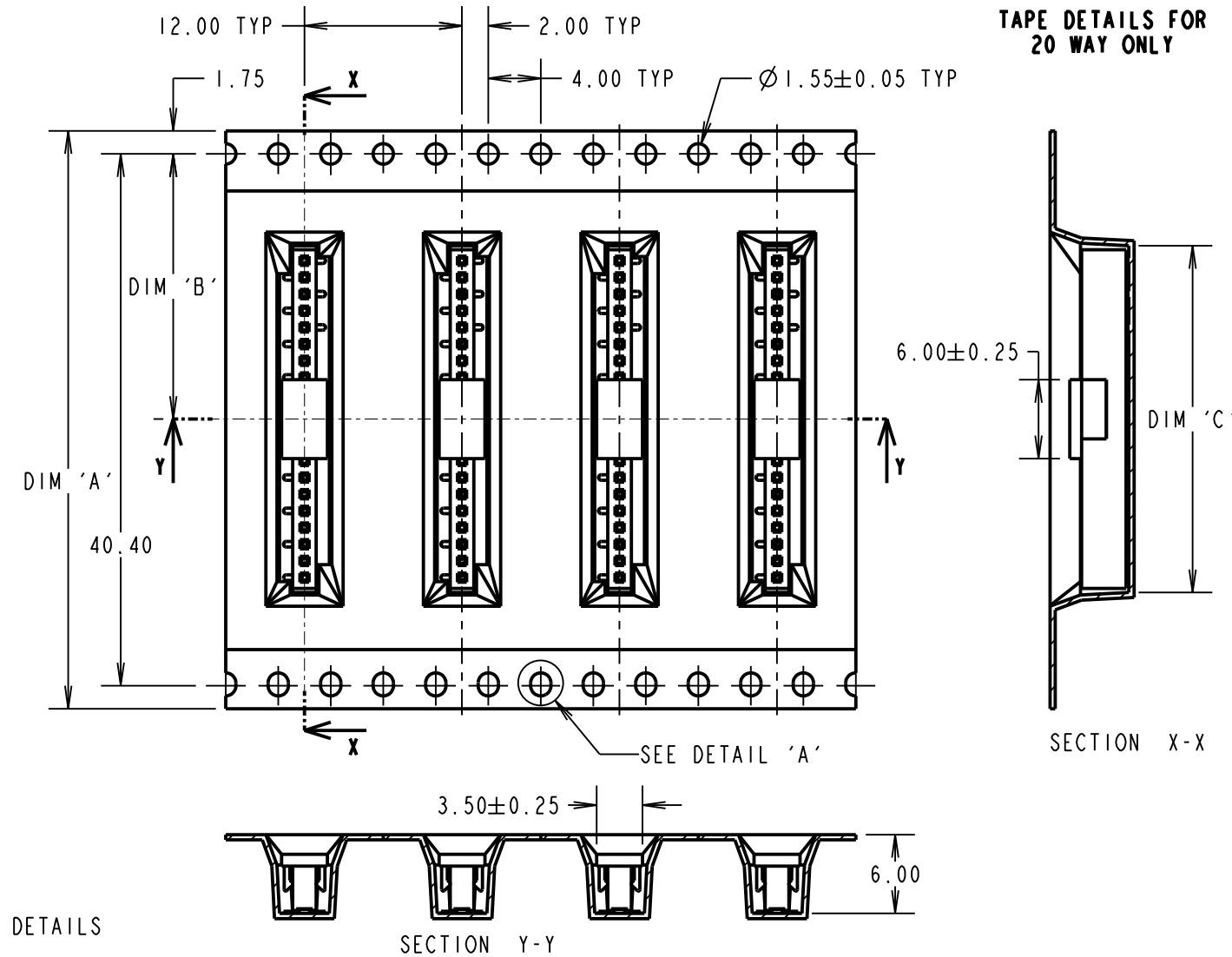
THIRD ANGLE PROJECTION

ALL DIMENSIONS IN mm

**TAPE DETAILS FOR
02 TO 06, 08 & 10 WAYS ONLY**



**TAPE DETAILS FOR
20 WAY ONLY**



ORDER CODE:
M50-314XX45X

No. OF CONTACTS: _____
02 TO 06, 08, 10, 20

PACKING: _____
BLANK = TUBE (SHEET 3)
R = TAPE AND REEL

PART No.	DIMENSION			REEL QUANTITY
	DIM 'A'	DIM 'B'	DIM 'C'	
M50-3140245R	16.00±0.30	7.50	6.60	1000
M50-3140345R			6.40	
M50-3140445R			6.60	
M50-3140545R	24.00±0.30	11.50	7.13	
M50-3140645R			8.42	
M50-3140845R			10.96	
M50-3141045R			13.50	
M50-3142045R	44.00±0.30	20.20±0.15	26.20	

MSP	3	14.08.17	20647
NAME	ISS.	DATE	C/NOTE
APPROVED: M.PERREN			
CHECKED: M.PLESTED			
DRAWN: S.BENNETT			
CUSTOMER REF.:			
ASSEMBLY DRG:			

NOTES:
1. FOR CONNECTOR DETAILS AND SPECIFICATIONS, SEE SHEET 3.
2. PRODUCT IS TAPE AND REELED IN GENERAL ACCORDANCE WITH EIA-481 (ELECTRAL INDUSTRIES ASSOCIATION).

HARWIN

www.harwin.com
technical@harwin.com

THIS DRAWING AND ANY INFORMATION OR DESCRIPTIVE MATTER SET OUT HEREON ARE CONFIDENTIAL AND COPYRIGHT PROPERTY OF THE HARWIN GROUP AND MUST NOT BE DISCLOSED, LOANED, COPIED OR USED FOR MANUFACTURING, TENDERING OR FOR ANY OTHER PURPOSE WITHOUT THEIR WRITTEN PERMISSION.

TOLERANCES
X. = ±1mm
X.X = ±0.25mm
X.XX = ±0.10mm
X.XXX = ±0.01mm
ANGLES = ±5°
UNLESS STATED

MATERIAL: SEE ABOVE
FINISH: SEE ABOVE
S/AREA: mm²

TITLE: 1.27mm PITCH, SIL VERTICAL SMT SOCKET

DRAWING NUMBER:
M50-314XX45X

SHT
4 OF 4

Mouser Electronics

Authorized Distributor

Click to View Pricing, Inventory, Delivery & Lifecycle Information:

[Harwin:](#)

[M50-3140545R](#) [M50-3140845](#) [M50-3141045R](#) [M50-3140645](#) [M50-3140345](#) [M50-3140445R](#) [M50-3140845R](#) [M50-3140345R](#) [M50-3140245](#) [M50-3142045R](#) [M50-3140545](#) [M50-3140645R](#) [M50-3141045](#) [M50-3140445](#) [M50-3142045](#)
[M50-3140245R](#)