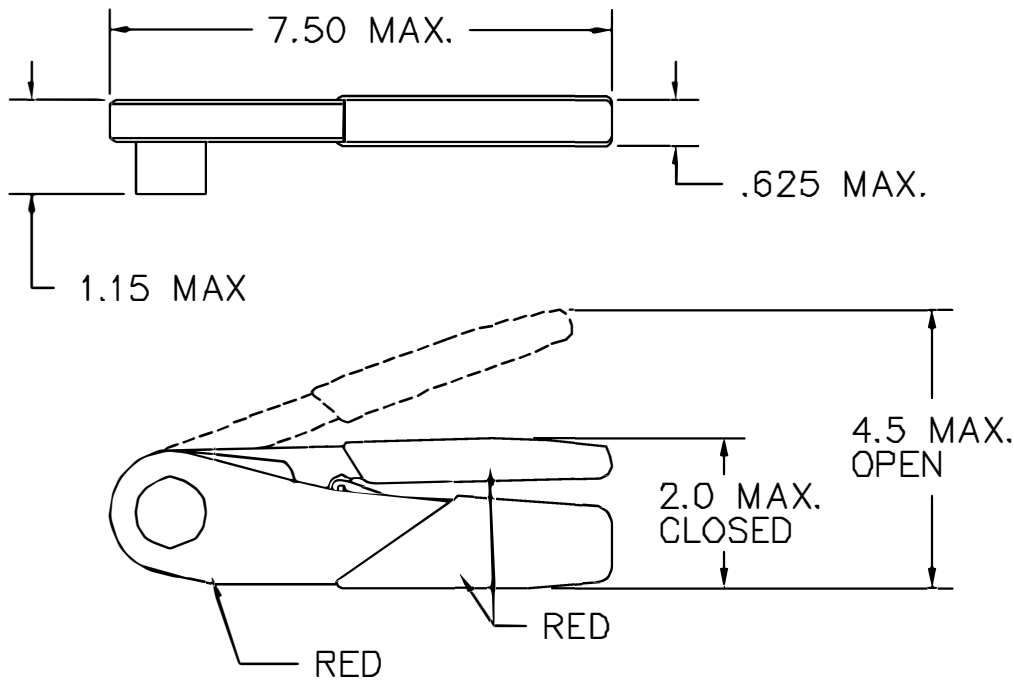


**UNCONTROLLED DOCUMENT
WILL NOT BE UPDATED**

REVISIONS				
REV. SYM.	E.C.O. NUMBER	DESCRIPTION	BY DATE	APP'D DATE
1		ORIGINAL RELEASE	AAM 10-24-01	RRR 10-24-01



Tool No. 2001-8		Wire
Gage Go .030 No Go .035	20,22 24	
Contacts: M39029/4-20-20 MS3192-20, M39029/5-20-20 MS3193-20, M83723/33-20 MS24254-20P, M83723/34-20 MS24255-20S		

DATAPLATE

RESTRICTED & CONFIDENTIAL

CONFIDENTIAL PROPERTY OF DANIELS MANUFACTURING CORP. NOT TO BE DISCLOSED TO OTHERS, REPRODUCED OR USED FOR ANY OTHER PURPOSE, EXCEPT AS AUTHORIZED IN WRITING BY DANIELS MANUFACTURING. MUST BE RETURNED TO DANIELS MANUFACTURING CORP. ON COMPLETION OF ORDER OR OTHER PURPOSE FOR WHICH LENT.

DO NOT SCALE DRAWING

DRN. A. MOO-YOUNG	DATE 10-24-01
CHK'D. RRR	DATE 10-24-01
APP'D.	DATE
APP'D.	DATE

Daniel's Manufacturing Corp.
ORLANDO, FLORIDA
CAGE 11851

TITLE
**ENVELOPE DRAWING
SPECIAL PURPOSE TOOL**

WHERE USED:

SIZE A	SCALE NTS	CAD P/N 2001-8-ENV	SHEET OF 1 1
POSTING	P/N 2001-8-ENV	REV. 1	

Mouser Electronics

Authorized Distributor

Click to View Pricing, Inventory, Delivery & Lifecycle Information:

[Daniels Manufacturing:](#)

[2001-8](#)