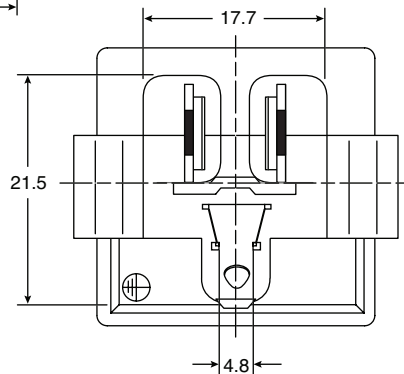
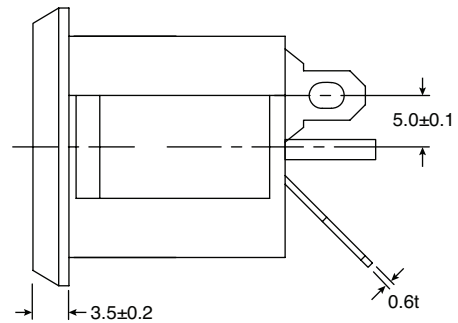
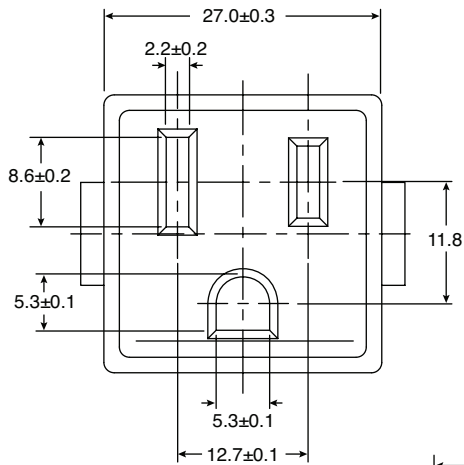
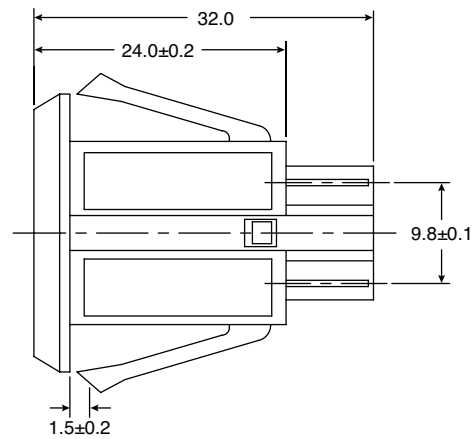
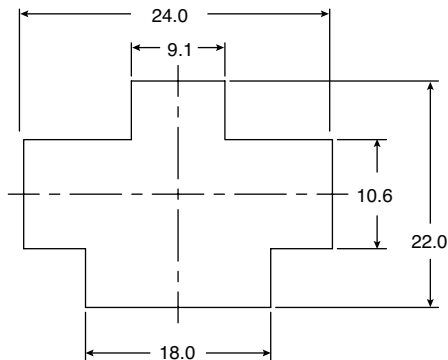


NEMA Outlet

161-RU0200-E



NEMA Outlet



Dimensions: mm

| SPECIFICATIONS | |
|-------------------------------|-------------------------|
| Insulation Resistance: | Over 100MΩ at 500V DC |
| Dielectric Strength: | 2000V AC 1 minute |
| Body Material: | Thermoplastic 94V-2~V-0 |
| RoHS Compliant | |

Date Last Revised: 9-18-07

161-RU0200-E

Available from Mouser Electronics
1-800-346-6873 / www.mouser.com

KC-301188

Specifications are subject to change without notice. No liability or warranty implied by this information. Environmental compliance based on producer documentation.

Mouser Electronics

Authorized Distributor

Click to View Pricing, Inventory, Delivery & Lifecycle Information:

[Kobiconn:](#)

[161-RU0200-E](#)