

A

B

C

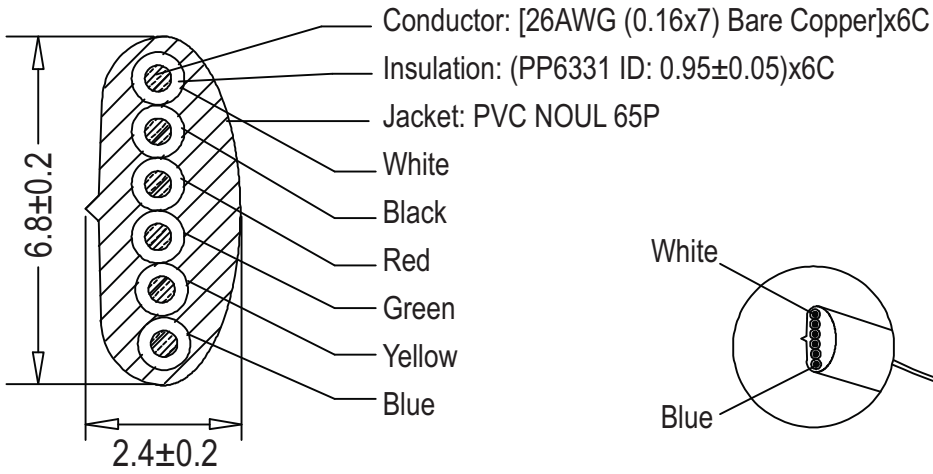
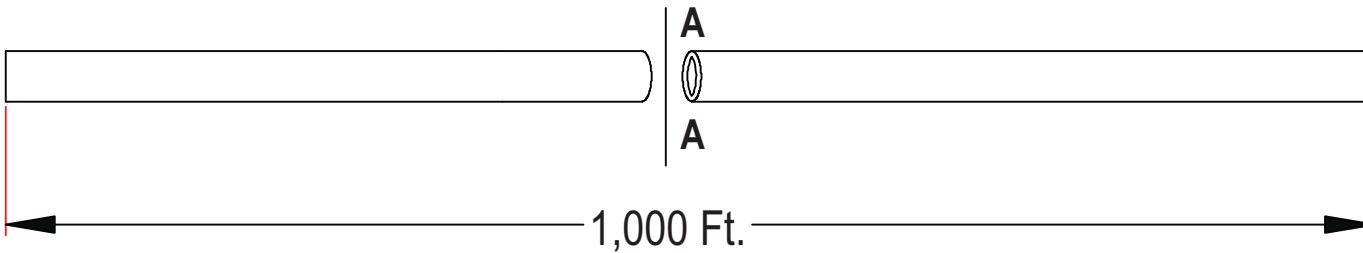
D

E

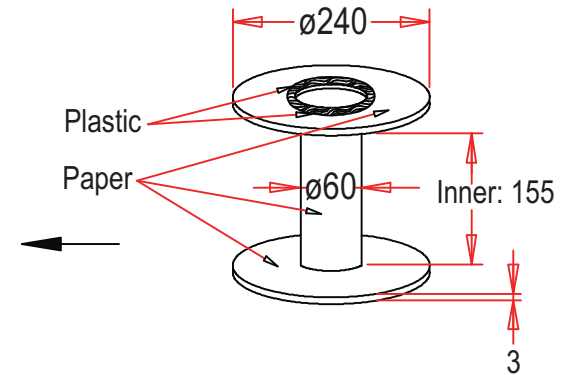
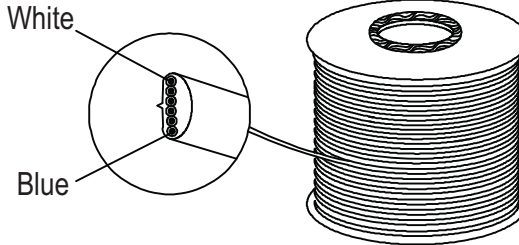
F

G

H



Sec: A - A



1,000Ft/R. "PE" Foam Wrapped

Unit: MM

| | | | | | | |
|-----------|-------|--------------|------|------|----------|----------|
| Scale | 1:1 | | | | | Name |
| TOLERANCE | | | | | Drawn | 11.18.11 |
| X.X | ±0.40 | | | | Approved | |
| X.XX | ±0.25 | | | | | |
| X.XXX | ±0.15 | | | | | |
| Angle | ±3° | | | | | |
| | | | | | | |
| | | | | | | |
| | | | | | | |
| | | Modification | Date | Name | | |
| | | | | | | |

| | |
|---|-------|
| Item No. | |
| AT-K-26-6-W/1000-R | |
| Title Modular Straight cable - Raw, 6 Contact, 26AWG, White, 1000Ft | |
| Drawing No. | |
| rev00 | |
| Replace | Sheet |

