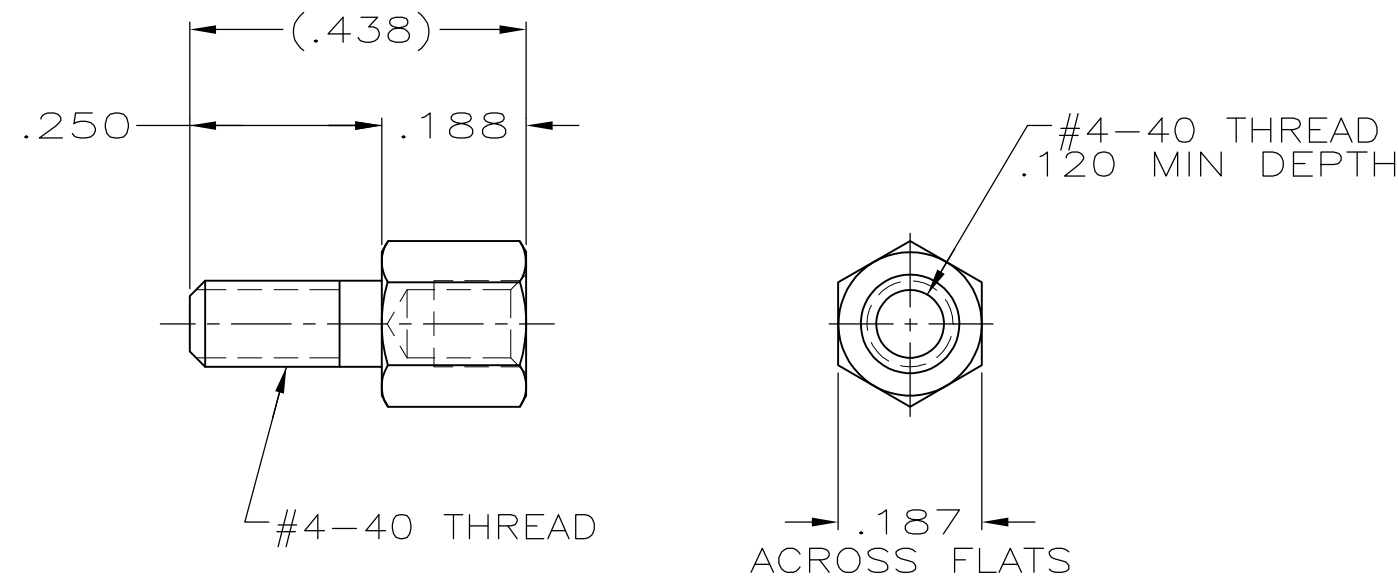



THIS DRAWING IS UNPUBLISHED. RELEASED FOR PUBLICATION
 © COPYRIGHT - By - ALL RIGHTS RESERVED.

LOC	DIST	REVISIONS			
P	LTR	DESCRIPTION	DATE	DWN	APVD
GP	00				
	P	REVISED PER ECO-11-004835	19APR11	RK	HMR



- 1 ZINC PLATED .000200-.000400 THICK, YELLOW CHROMATE COATING.
- 2 ZINC PLATED .000200-.000400 THICK, CLEAR CHROMATE COATING.

2	5207953-3
1	5207953-2
FINISH	PART NO

THIS DRAWING IS A CONTROLLED DOCUMENT.		DWN R.RICHARDSON 24JUN05	 TE Connectivity SCREWLOCK, FEMALE, SHORT, AMPLIMITE											
DIMENSIONS: INCHES		CHK C.ROHDE 24JUN05												
TOLERANCES UNLESS OTHERWISE SPECIFIED:		APVD M.WALMSLEY 24JUN05												
<table border="1"> <tr><td>0 PLC</td><td>± -</td></tr> <tr><td>1 PLC</td><td>± -</td></tr> <tr><td>2 PLC</td><td>± -</td></tr> <tr><td>3 PLC</td><td>± .005</td></tr> <tr><td>4 PLC</td><td>± -</td></tr> <tr><td>ANGLES</td><td>± -</td></tr> </table>		0 PLC				± -	1 PLC	± -	2 PLC	± -	3 PLC	± .005	4 PLC	± -
0 PLC	± -													
1 PLC	± -													
2 PLC	± -													
3 PLC	± .005													
4 PLC	± -													
ANGLES	± -													
MATERIAL COLD ROLLED STEEL		FINISH SEE TABLE	APPLICATION SPEC	SIZE	CAGE CODE	DRAWING NO	RESTRICTED TO							
			WEIGHT	A3	00779	C-5207953	-							
			CUSTOMER DRAWING		SCALE	SHEET	REV							
					4:1	1 OF 1	P							