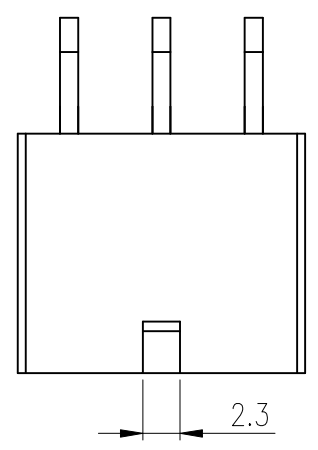


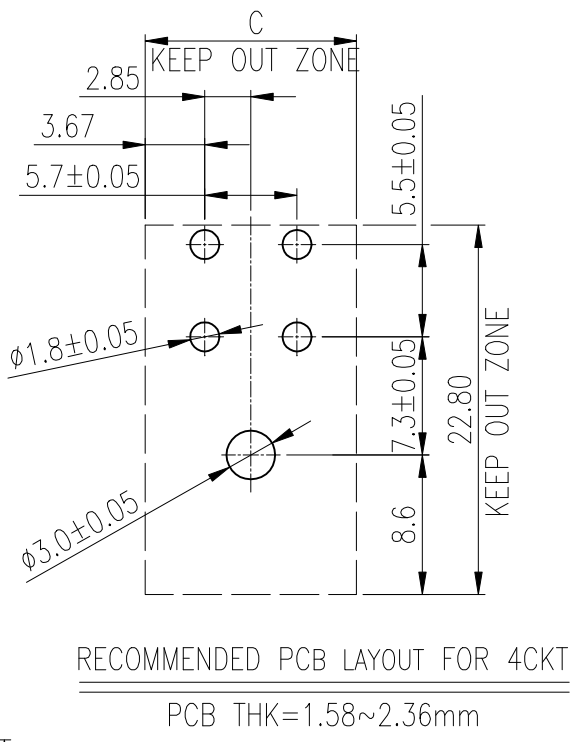
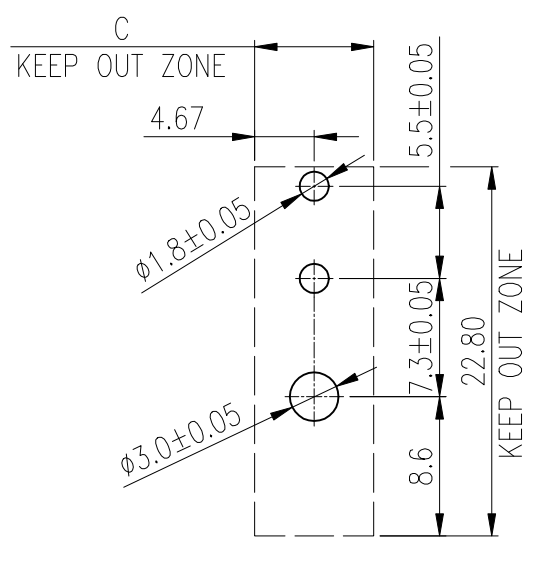
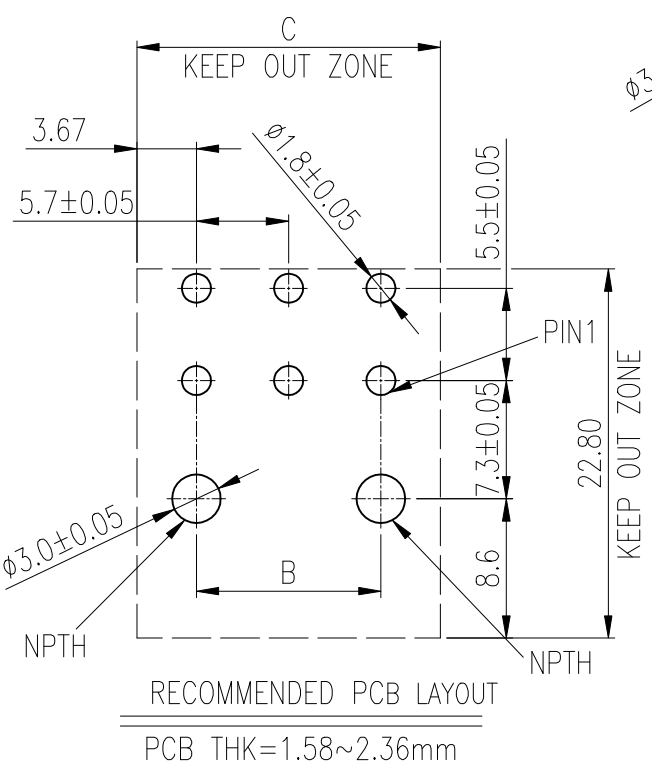
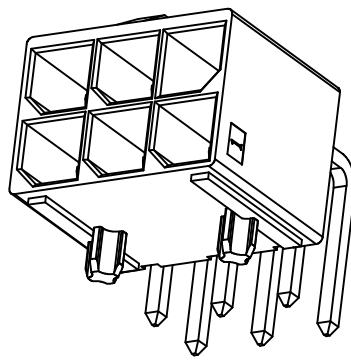
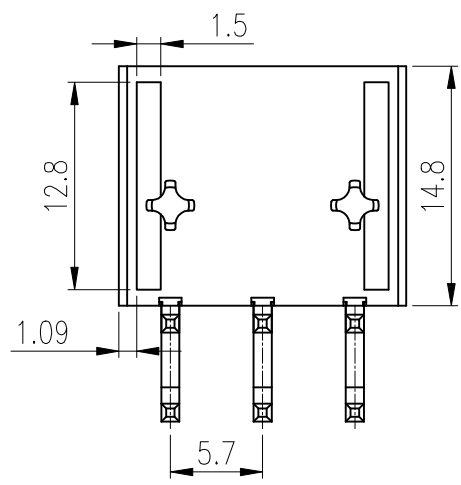
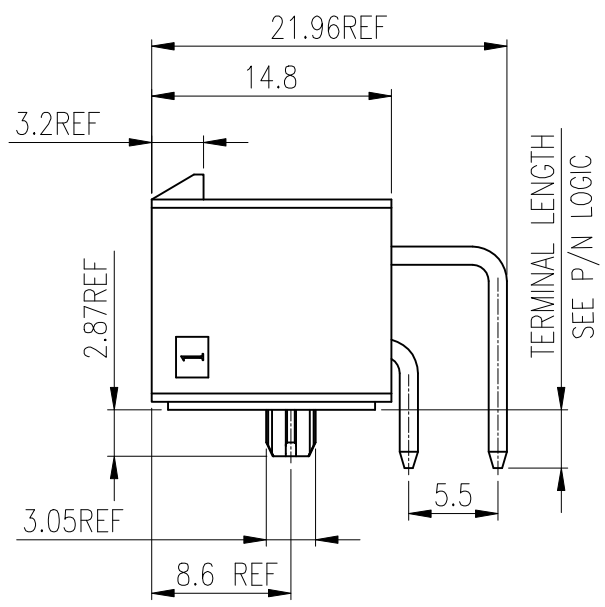
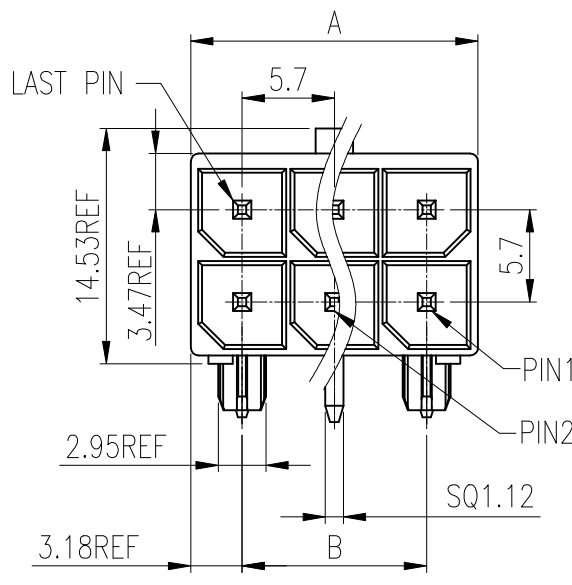
Amphenol FCI

© 2016 AFCI

D



POS	DIM A	DIM B	DIM C
02	8.35	NA	9.35
04	12.05	NA	13.05
06	17.75	11.4	18.75
08	23.45	17.1	24.45
10	29.15	22.8	30.15
12	34.85	28.5	35.45



NOTES:

- MATERIAL :  
HOUSING : LCP,UL94V-0, HALOGEN FREE, GLOW WIRE COMPATIBLE.  
CONTACT : HIGH CONDUCTIVITY COPPER ALLOY
- PLATING :  
CONTACT AREA : OPTIONAL, SEE PART NUMBER LOGIC  
SOLDER AREA : 100μ" MINIMUM MATTE TIN  
UNDER LAYER : 50μ" MINIMUM NICKEL
- RoHS COMPLAINT
- REFER APPLICATION SPECIFICATION GS-20-0687 FOR MATING CONNECTOR
- PRODUCT SPECIFICATION : GS-12-1405.
- PACKAGE SPECIFICATION : GS-14-2595.
- APPLICATION SPECIFICATION : GS-20-0687.
- THE HOUSING CAN WITHSTAND EXPOSURE TO 260°C PEAK TEMP FOR 10 SECONDS IN A REFLOW OVEN.
- THE HOUSING CAN WITHSTAND EXPOSURE TO 260°C PEAK TEMP FOR 10 SECONDS IN A WAVE SOLDER.
- THIS LF PRODUCT MEETS EUROPEAN UNION DIRECTIVES AND OTHER COUNTRY REGULATIONS AS DESCRIBED IN GS-47-0004.
- PART NUMBER:

10146997-XX X X 0 X X LF

NO. OF POSITION :  
02~12 POS.

TERMINAL LENGTH :  
BLANK:3.6 MM  
A : 1.35 MM  
B : 4.30 MM

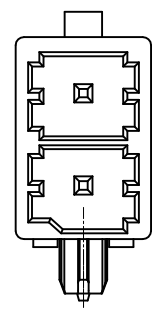
PACKAGE :  
O:TRAY  
1:TAPE&REEL  
Q:TAPE & REEL  
(CUSTOMER SPECIAL)

COLOR :  
BLANK:BLACK  
N:NATURAL

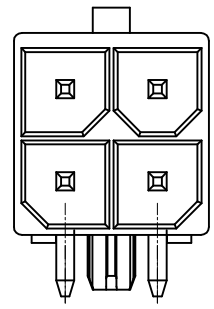
MATERIAL:LCP

PLATING :  
0: 30u" GOLD PLATING ON CONTACT AREA AND 100u" TIN PLATING ON SOLDER TAIL  
1: 15u" GOLD PLATING ON CONTACT AREA AND 100u" TIN PLATING ON SOLDER TAIL  
2: 100u" MATTE TIN PLATING OVER ALL

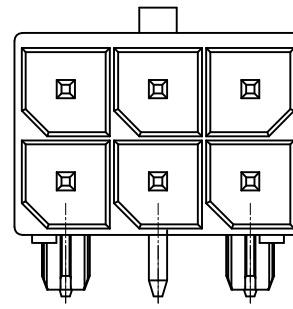
mat'l. code		surface	tolerance	projection	product family
		ISO 1302	ISO 406 ISO 1101		MINITEK POWER
ltr		tolerances unless otherwise specified			title
A	ecn no	dr	date	mm	DUAL ROW RIGHT ANGLE HEADER
B	ELX-N-30112	TONY	2018-04-11	scale 2:1	MINITEK POWER 5.7
C	ELX-I-45070	NITHIN	2018-05-07		dwg no
					sheet 1 of 2
		dr	TONY LENG	2018-04-11	size
		enfr	NITHIN N.C	2022-06-20	A3
		chr	MITHUN PAUL	2022-06-20	10146997
		appd	SPK	2022-06-20	Product Customer Drawing
sheet index	revision sheet	C	C		
		1	2		



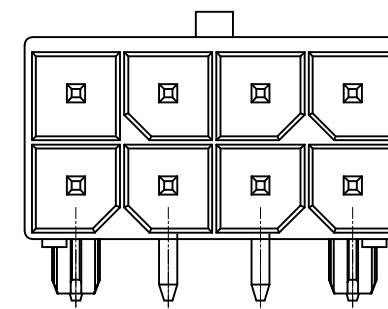
FOR 02P



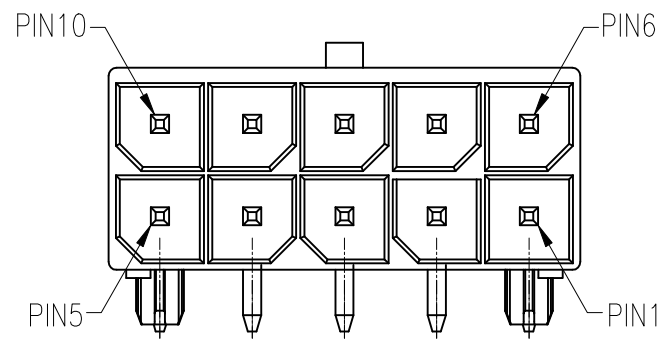
FOR 04P



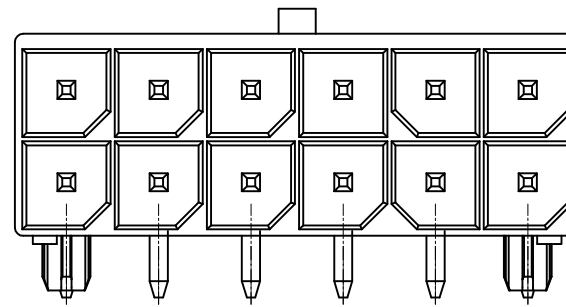
FOR 06P



FOR 08P



FOR 10P



FOR 12P



Amphenol  
FCi

© 2016 AFci

mat'l. code		surface		tolerance		projection		product family	
		ISO 1302 ✓		ISO 406 ISO		101		MINITEK POWER	
ltr		ecn no		dr		date		title	
								DUAL ROW RIGHT ANGLE HEADER	
								MINITEK POWER 5.7	
								dwg no	
								sheet 2 of 2	
								size	
								A3	
								type	
								Product Customer Drawing	
sheet index		revision sheet		C C					
				1 2					