



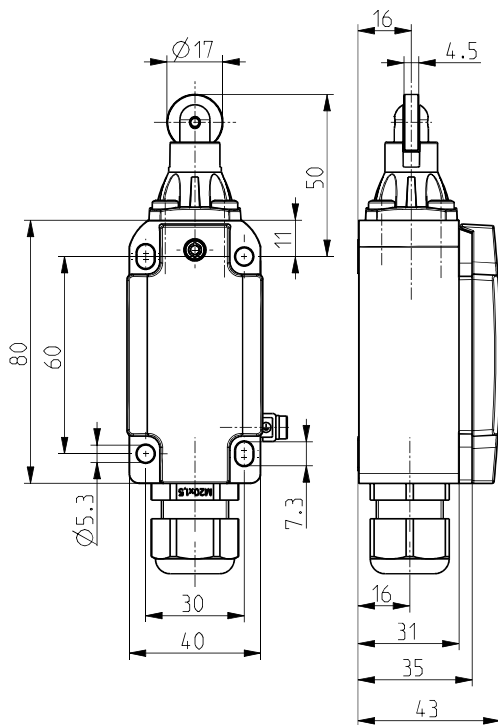
## Ex position switch with safety function Ex ES 98 R-02 -40°C Material number: 1400713

### Features/Options

- Ex zone 1 and 21
- Cold-resistant down to -40 °C
- Metal enclosure
- Design to EN 50041
- Wiring compartment

- Actuator: Roller plunger R
- Actuator type C to EN 50041
- Actuating speed max. 0.5 m/s with a vertical actuating angle of 30°
- Actuator can be repositioned by 4 x 90°
- N.B.: Please state required approvals for Brazil with your order!

### Dimensions



### Technical data

<b>Standards</b>	EN 60947-5-1; EN 60079-0, EN 60079-1, EN 60079-7, EN 60079-31; EN ISO 13849-1; EN ISO 14119
<b>Design</b>	EN 50041
<b>Enclosure</b>	Corrosion-resistant aluminium, powder-coated, similar to RAL 7016
<b>Cover</b>	Stainless steel 1.4401, powder-coated, similar to RAL 1003
<b>Switch type</b>	type 1
<b>Coding level</b>	no coding
<b>Degree of protection</b>	IP 66 to IEC/EN 60529
<b>Contact material</b>	silver
<b>Switching system</b>	slow action, positive break NC contacts ⊖
<b>Switching elements</b>	2 NC contacts, type Zb
<b>Connection</b>	screw connection terminals
<b>Cable cross-section</b>	max. 1.5 mm <sup>2</sup> (incl. conductor ferrules)
<b>Cable entry</b>	1 x M20 x 1.5 for cable diameter 5 ... 9 mm
<b>B<sub>10d</sub> (10 % Load)</b>	2 million
<b>T<sub>M</sub></b>	max. 20 years
<b>U<sub>imp</sub></b>	4 kV
<b>U<sub>i</sub></b>	250 V
<b>I<sub>e</sub></b>	max. 4.4 A T6 / max. 6.6 A T5
<b>U<sub>e</sub></b>	max. 250 VAC; 125 VDC
<b>Utilisation category</b>	AC-15; DC-13
<b>Max. fuse rating</b>	6 A gG/gN fuse
<b>Ambient temperature</b>	T6: - 40° C ... + 70° C (max. 4.4 A) T5: - 40° C ... + 70° C (max. 6.6 A)
<b>Mechanical life</b>	> 1 million operations
<b>Operation cycles</b>	1800/h
<b>Repeat accuracy of switching points</b>	± 0.1 mm
<b>Impact energy</b>	max. 7 J
<b>Ex marking</b>	⊕ II 2G Ex de IIC T6/T5 Gb, ⊕ II 2D Ex tb IIIC T80 °C/T95 °C Db IECEX Ex de IIC T6/T5 Gb, Ex tb IIIC T80 °C/T95 °C Db
<b>Approvals</b>	DMT 01 ATEX E 178 IECEX BVS 07.0014

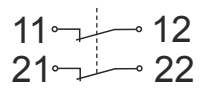




Ex position switch with safety function  
Ex ES 98 R-02 -40°C  
Material number: 1400713

Errors and omissions excepted.

## Contact diagram



## Switching diagram

