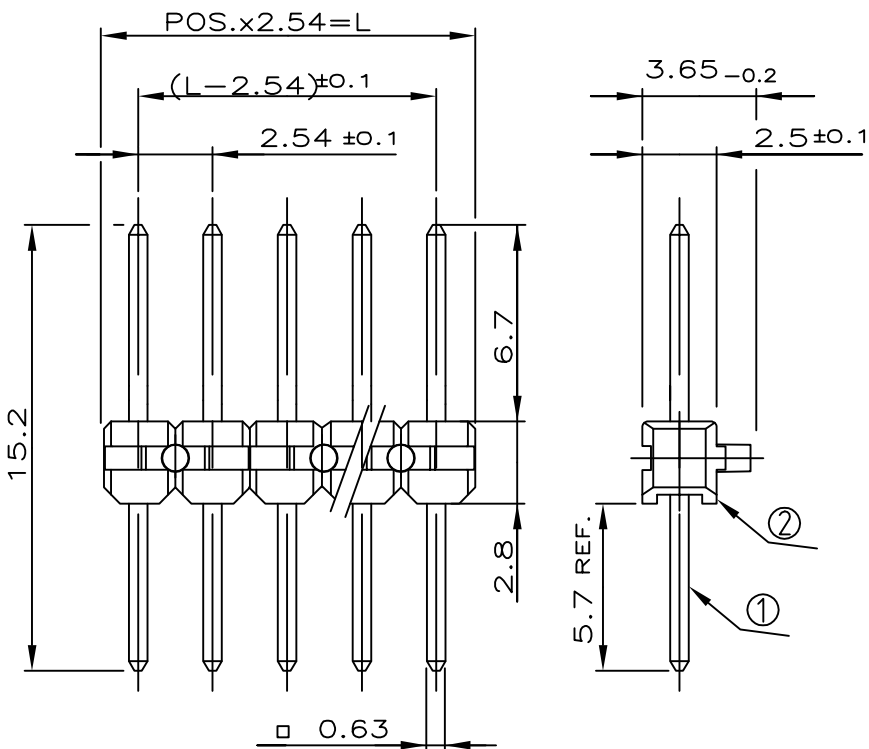


REVISIONS

P	LTR	DESCRIPTION	DATE	DWN	APVD
E		Contact material change from CuSn to CuZn	19SEP2017	KJK	PS

POS.	L±0.5	PART NUMBER
-	-	-
2	5.08	827312 -2
3	7.62	-3
4	10.16	-4
5	12.70	-5
6	15.24	-6
7	17.78	-7
8	20.32	-8
9	22.86	-9
10	25.40	1- -0
11	27.94	1- -1
12	30.48	1- -2
13	33.02	1- -3
14	35.56	1- -4
15	38.10	1- -5
16	40.64	1- -6
17	43.18	1- -7
18	45.72	1- -8
19	48.26	1- -9
20	50.80	2- -0
21	53.34	2- -1 $\triangle$
22	55.88	2- 2 $\triangle$
23	58.42	2- 3 $\triangle$
24	60.96	2- 4 $\triangle$
25	63.50	2- 5 $\triangle$
26	66.04	2- 6 $\triangle$
27	68.58	2- 7 $\triangle$
28	71.12	2- 8 $\triangle$
29	73.66	2- 9 $\triangle$
30	76.20	3- 0 $\triangle$
31	78.74	3- 1 $\triangle$
32	81.28	3- 2 $\triangle$
33	83.82	3- 3 $\triangle$
34	86.36	3- 4 $\triangle$
35	88.90	3- 5 $\triangle$
36	91.44	3- 6 $\triangle$
37	93.98	3- 7 $\triangle$
38	96.52	3- 8 $\triangle$
39	99.06	3- 9 $\triangle$
40	101.60	4- 0 $\triangle$
41	104.14	4- 1 $\triangle$
42	106.68	4- 2 $\triangle$
43	109.22	4- 3 $\triangle$
44	111.76	4- 4 $\triangle$
45	114.30	4- 5 $\triangle$
46	116.84	4- 6 $\triangle$
47	119.38	4- 7 $\triangle$
48	121.92	4- 8 $\triangle$
49	124.46	4- 9 $\triangle$
50	127.00	5- 827312 -0



NOTES:

- $\triangle$  MIN. 3 $\mu$ m TIN OVER 1.27 $\mu$ m NICKEL
- $\triangle$  OBSOLETE

PIN HOUSING	PCT	BLACK	2
CONTACT PIN	CuZn	$\triangle$	1
DESCRIPTION	MATERIAL	COLOR/FINISH	ITEM NUM

RELEASED FOR PUBLICATION

ALL RIGHTS RESERVED.

TE Connectivity

THIS DRAWING IS UNPUBLISHED.

©

DIMENSIONS: mm

TOLERANCES UNLESS OTHERWISE SPECIFIED: ±0.2mm

0 PLC	± -
1 PLC	± -
2 PLC	± -
3 PLC	± -
4 PLC	± -
ANGLES	± -

DWN	KREPP	13.02.79
CHK	HOWEL	16.02.79
APVD	KOURIMSKY	09.04.81
PRODUCT SPEC	108-18012	
APPLICATION SPEC	-	
WEIGHT	-	

MATERIAL	-	FINISH	-
		TE Connectivity	
		NAME AMPMODU II PIN HEADER SINGLE ROW	
SIZE	CAGE CODE	DRAWING NO	RESTRICTED TO
A4	00779	C=827312	-

CUSTOMER DRAWING	SCALE	4:1	SHEET	1 OF 1	REV	E
------------------	-------	-----	-------	--------	-----	---