

LFS-030PHN6-PVNO Diesel Flow Sensor

Cashtec Electronic Co., LTD
No. 16, Ln. 10, Dechang St., Wanhua Dist., Taipei City 108, Taiwan
Tel : 886-2-23048898 Fax : 886-2-23048798
Website : <http://www.cashtec.com.tw>

Features :

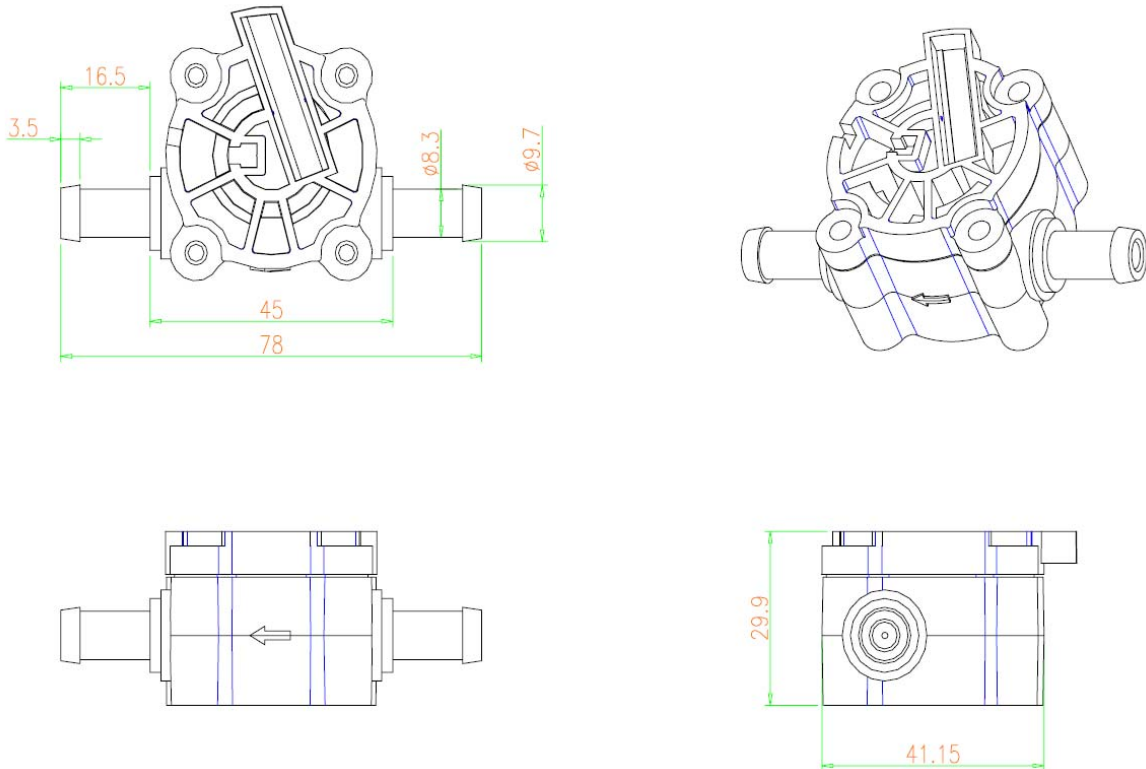
- ⊙ Diesel and gas application
- ⊙ 2.0 – 30 liter/hour flow rate
- ⊙ Accurate and reliable



Application :

- ✓ Marine and automobile vehicle

1.0 Mechanism :



2.0 Electrical :

Supply voltage : 2.4 – 26 VDC

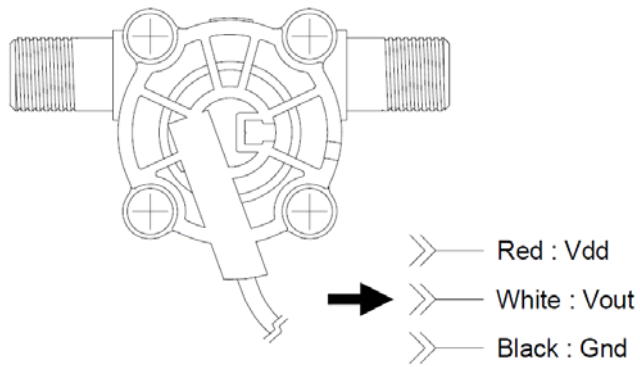
Supply current : typical 2.8 Amps, maximum 8.0 Amps.

Output mode : open collector

Output rise time : typical 1.0μ second. maximum 10μ second.

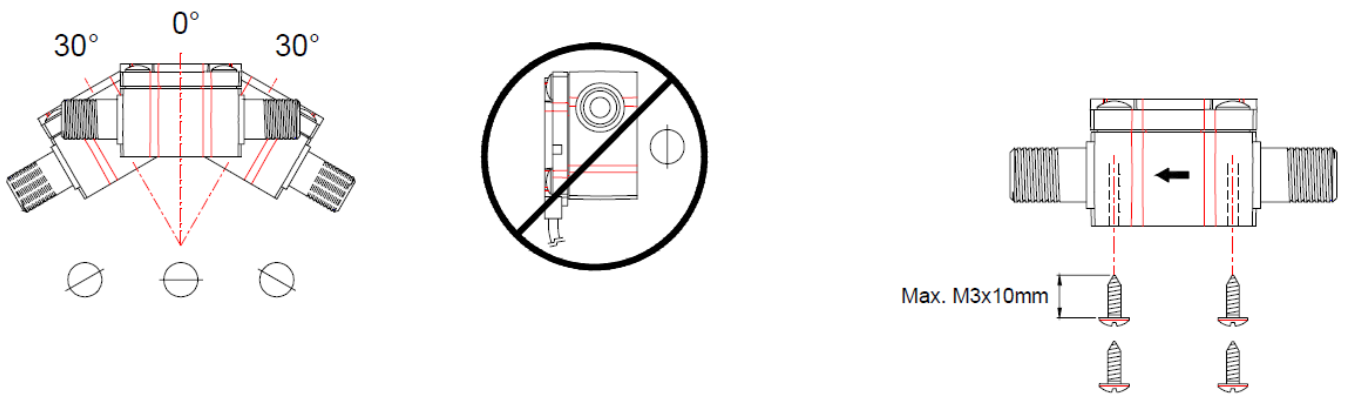
Output falling time : typical 0.3μ second. maximum 1.5μ second.

Wire connection :



3.0 Mounting method

Horizontal mounting, maximum 30 degree lifting.



4.0 Flow Rate : 2.0 – 30.0 liter/hour

5.0 Calibration :

Flow Rate(LPH)	Liter/Pulse
2.0	0.00038
4.0	0.00050
12.0	0.00050
30.0	0.00050

Accuracy : $\pm 10\%$

6.0 General :

Connection : 3/8" barb

Temperature : 0 to 60°C

Pressure : Max. 6.0 bar (85 psi)

Materials : Sensor Body : Acetal Copolymer (POM), TICONA M90

Turbine : Acetal Copolymer (POM), TICONA M90

Stick of Turbine : #304 Stainless Steel

O-Ring : NBR