

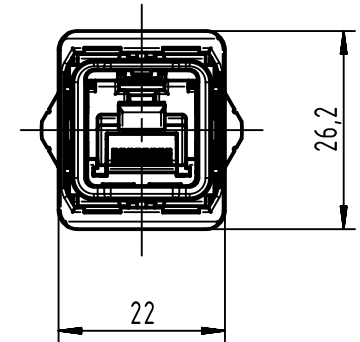
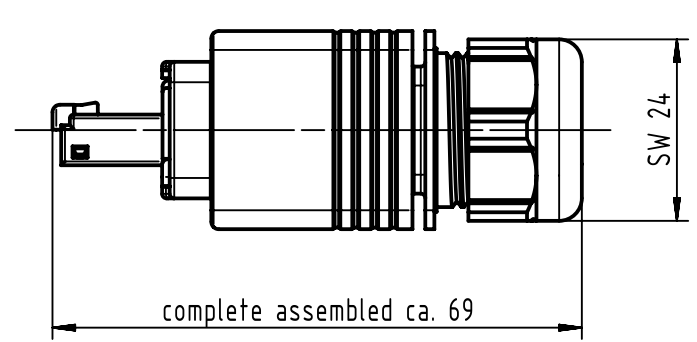
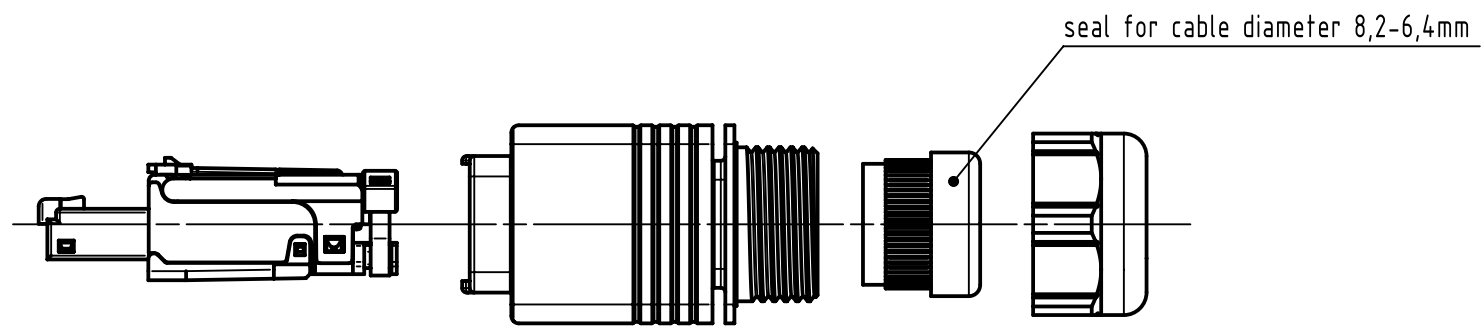
1 2 3 4 5 6

A

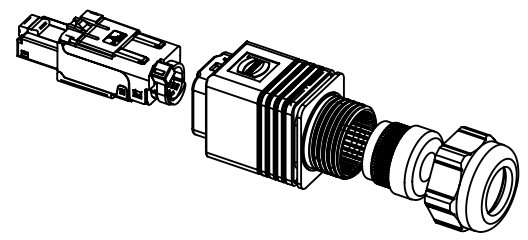
B

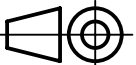

C

D



further information see: DS 20820000000



 All Dimensions in mm Original Size DIN A4	Scale	Free size tol.			Ref.
	1:1				Sub.
 All rights reserved Department EC PD - DE	Created by	Inspected by	Standardisation	Date	State
	ELLERMANN	KOHLER	HOFFMANN	2014-09-19	Final Release
HARTING Electronics GmbH D-32339 Espelkamp	Title				Doc-Key / ECM-Nr.
	Han PP V14 preLink RJ45 plug 8p plastic				100572599/UGD/000/A 500000079382
Type		Number		Rev.	Page
TB		20822040001		A	1/1