



02 Push-to-Close Latch

Pull-to-open · Magnetic catch · Snap-in

- Snap-in installation
- Optional side mount bracket

Material and Finish

Housing:

Polypropylene, black or white

Pole pieces and mounting bracket:

Steel, zinc plated

Magnet:

Small, large: Barium ferrite

Medium: Strontium ferrite

Performance Details

Size	Average breakaway force	Standard deviation
Small 300 series	8 N (1.8 lbf)	2.1 N (.47 lbf)
Medium 100 series	46 N (10 lbf)	5.9 N (1.3 lbf)
Large 200 series	64 N (14 lbf)	7.3 N (1.6 lbf)
Double magnet 800 series	105 N (23 lbf)	18 N (1.0 lbf)

Operating temperature range:
-30°C (-20°F) to 115°C (240°F)

Flammability rating

UL94-HB

Installation Notes

For non-ferrous applications. Screw-mounted and adhesive backed strikes are available. Order separately. See page 146.

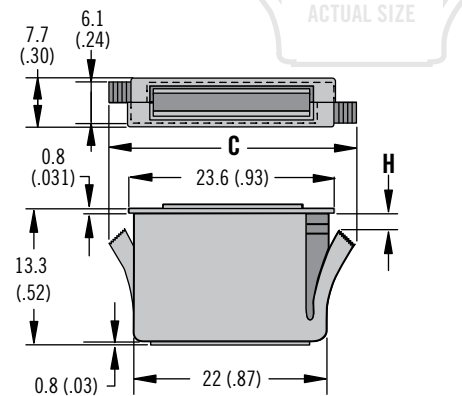
Notes

Performance values shown are supplied as a general guide only.

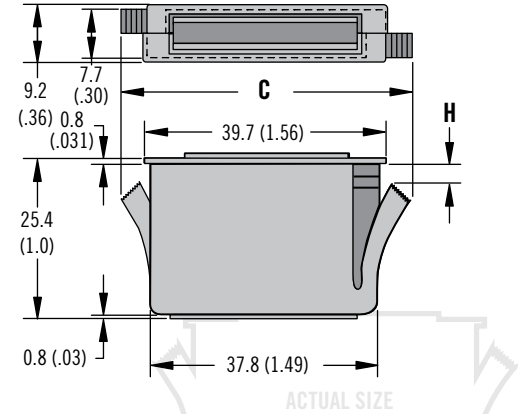
Part Number

See table

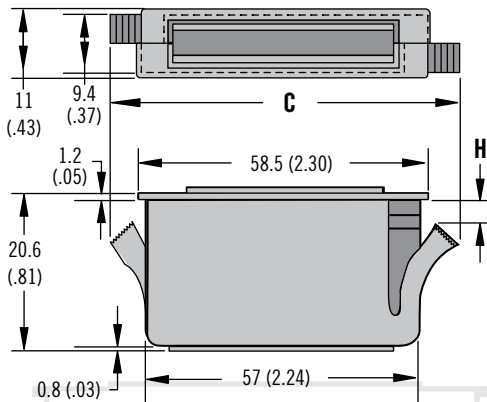
Small



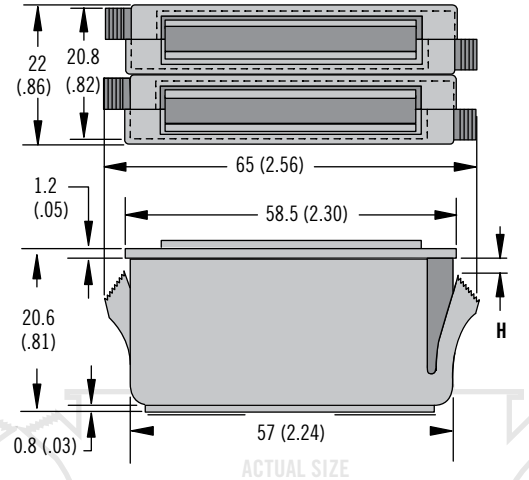
Medium



Large



Large double magnet

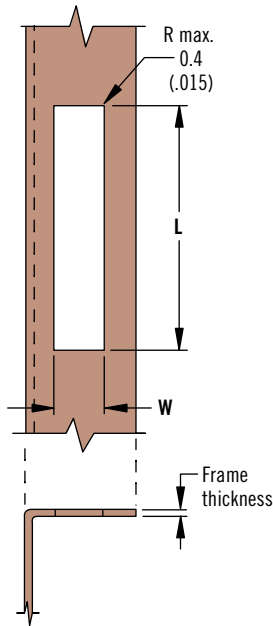


Size	C	H	Frame Thickness		Magnet Part Number	
			Min.	Max.	Black	White
Small	27.9 (1.10)	0.9 (.035)	0.5 (.020)	2 (.080)	02-10-301-10	02-10-301-20
	26.7 (1.05)	2.4 (.095)	2 (.080)	3.6 (.140)	02-10-302-10	02-10-302-20
Medium	47 (1.85)	1 (.040)	0.5 (.020)	2 (.080)	02-10-101-10	02-10-101-20
	46.2 (1.82)	2.5 (.100)	2 (.080)	3.6 (.140)	02-10-102-10	02-10-102-20
	45.5 (1.79)	4 (.160)	3.6 (.140)	5.1 (.200)	02-10-103-10	02-10-103-20
Large	65.3 (2.57)	0.3 (.010)	0.5 (.020)	2 (.080)	02-10-201-10	02-10-201-20
	64.5 (2.54)	1.8 (.070)	2 (.080)	3.6 (.140)	02-10-202-10	02-10-202-20
	63.3 (2.49)	3.3 (.130)	3.6 (.140)	5.1 (.200)	02-10-203-10	02-10-203-20
Large double magnet	~	0.3 (.010)	0.5 (.020)	2 (.080)	02-10-801-10	~
	~	1.8 (.070)	2 (.080)	3.6 (.140)	02-10-802-10	~
	~	3.3 (.130)	3.6 (.140)	5.1 (.200)	02-10-803-10	~

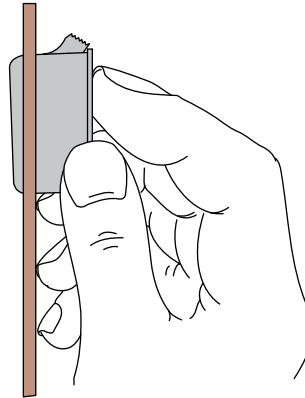
Dimensions in millimeters (inch) unless otherwise stated

Installation

1. Punch rectangular slot

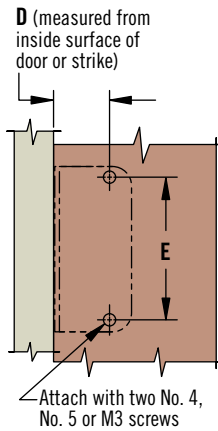
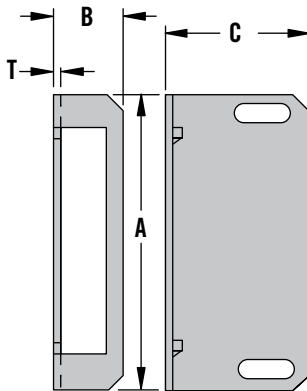


2. Snap catch into slot



Mounting Bracket

For applications where frame is not suitable for punching (order separately)



Size	A	B	C	D	E ±0.1 (±.005)	T	For Use with these Magnets ONLY	Bracket Part Number
Small	41.3 (1.63)	11.1 (.44)	13.5 (.53)	7.9±2.4 (.31±.09)	35 (1.38)	1 (.042)	02-10-301-10 02-10-301-20	02-16-301-11
Medium	51 (2.00)	12.7 (.50)	24.6 (.97)	17.5±3.2 (.69±.13)	44.5 (1.75)		02-10-101-10 02-10-101-20	02-16-101-11
Large	76 (3.00)	14.3 (.56)	18.7 (.73)	12.7±3.2 (.50±.13)	70 (2.75)		02-10-201-10 02-10-201-20	02-16-201-11
Large double magnet	76 (3.00)	25.4 (1.00)	18.7 (.73)	12.7±3.2 (.50±.13)	70 (2.75)	1.6 (.062)	02-10-801-10	02-16-801-11

- Snap-in installation
- Optional side mount bracket

Installation Notes

Size	L ±0.1 (.005)	W ±0.1 (.005)
Small	22.2 (.875)	6.4 (.25)
Medium	38.1 (1.50)	8.1 (.32)
Large	57.1 (2.25)	9.6 (.38)
Double magnet	57.1 (2.25)	21 (.828)

Part Number

See table



02 Push-to-Close Latch

Pull-to-open · Magnetic catch · Snap-in

- Snap-in installation
- Optional side mount bracket

Material and Finish

Housing: Polypropylene, black
 Pole pieces: Steel, zinc plated
 Magnet: Barium ferrite

Performance Details

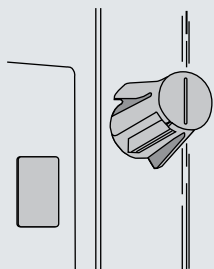
Size	Average breakaway force	Standard deviation
Small 400 series	14 N (3.1 lbf)	2.2 N (.49 lbf)
Large 600 series	49 N (11 lbf)	6.4 N (1.4 lbf)

Operating temperature range:
 -30°C (-20°F) to 115°C (240°F)

Flammability rating: UL94-HB

Installation Notes

For non-ferrous applications.
 Screw-mounted and adhesive backed strikes are available.
 Order separately. See page 146.



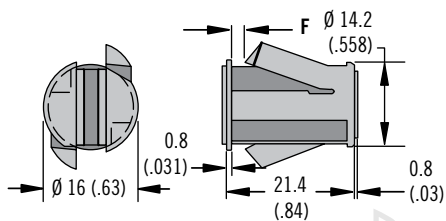
Notes

Performance values shown are supplied as a general guide only

Part Number

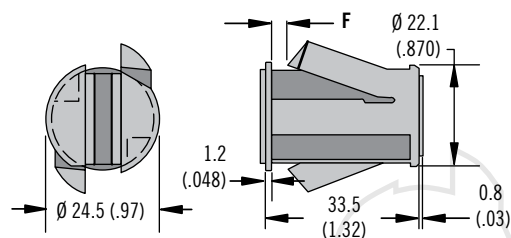
See table

Small - 400 Series



ACTUAL SIZE

Large - 600 Series

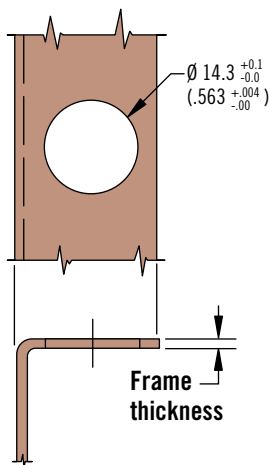


ACTUAL SIZE

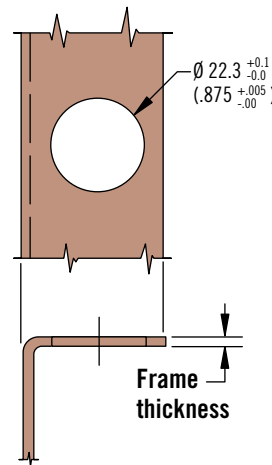
Installation

1. Drill or punch hole

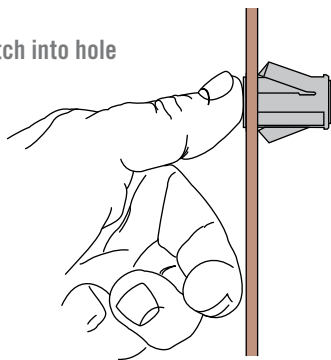
Small Size



Large Size



2. Snap catch into hole



Size	F	Frame Thickness		Magnet Part Number
		Min.	Max.	
Small	0.8 (.030)	0.5 (.020)	2 (.080)	02-20-411-10
	2.3 (.090)	2 (.080)	3.5 (.140)	02-20-412-10
	3.8 (.150)	3.5 (.140)	5 (.200)	02-20-413-10
Large	0.5 (.020)	0.5 (.020)	2 (.080)	02-20-611-10
	2 (.080)	2 (.080)	3.5 (.140)	02-20-612-10
	3.5 (.140)	3.5 (.140)	5 (.200)	02-20-613-10

Dimensions in millimeters (inch) unless otherwise stated



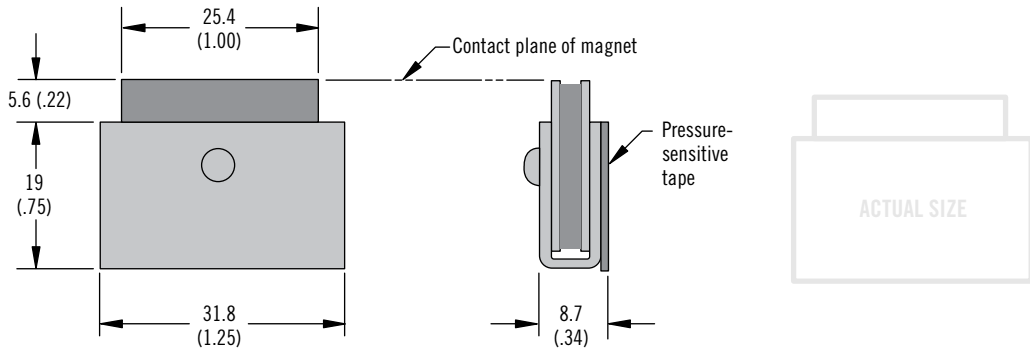
www.southco.com/02

02 Push-to-Close Latch

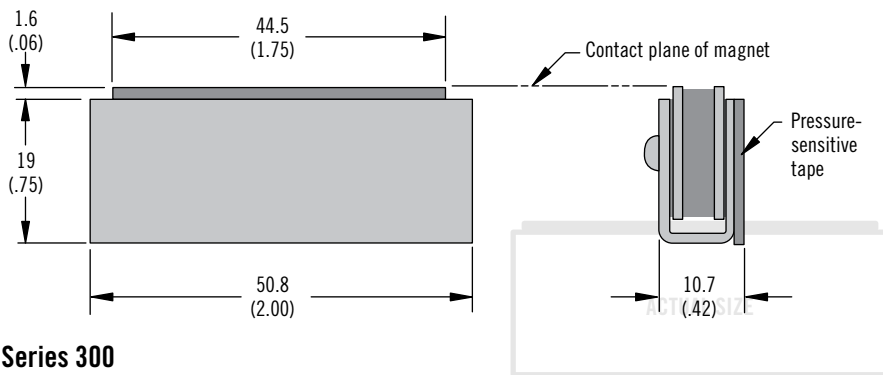
Pull-to-open · Magnetic catch · Snap-in



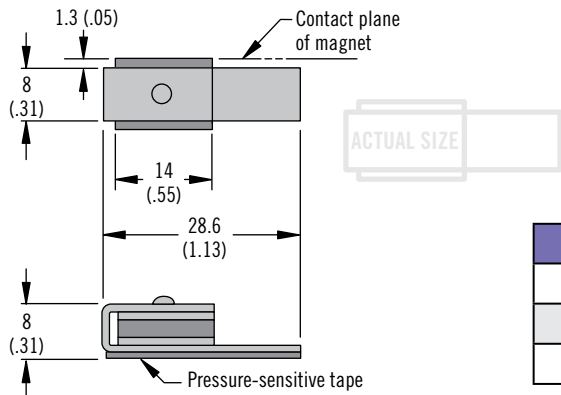
Series 100



Series 200



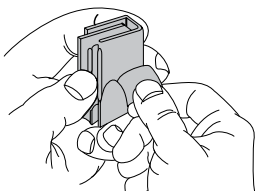
Series 300



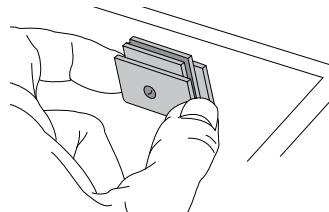
Series	Magnet Part Number
100	02-30-121-10
200	02-30-221-10
300	02-30-321-10

Installation

1. Remove protective paper



2. Place in position



Notes: Be sure the mounting surface is clean and capable of retaining a satisfactory adhesive bond

- Adhesive installation
- Optional side mount bracket

Material and Finish

Housing: Polypropylene, black
 Pole pieces: Steel, zinc plated
 Magnet: Barium ferrite

Performance Details

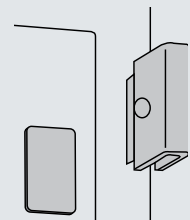
Series	Average breakaway force	Standard deviation
100	46 N (10 lbf)	5.9 N (1.3 lbf)
200	64 N (14 lbf)	7.3 N (1.6 lbf)
300	8 N (1.8 lbf)	2.1 N (.47 lbf)

Operating temperature range:
 -30°C (-20°F) to 115°C (240°F)

Flammability rating: UL94-HB

Installation Notes

For non-ferrous applications. Screw-mounted and adhesive backed strikes are available. Order separately. See page 146.



Notes

Performance values shown are supplied as a general guide only

Part Number

See table



02 Push-to-Close Latch

Steel strikes

- Ferrous keepers for magnet catch
- Self-adhesive or screw mount

Material and Finish

Steel, zinc plated

Adhesive:

Neoprene foam with acrylic

Installation Notes

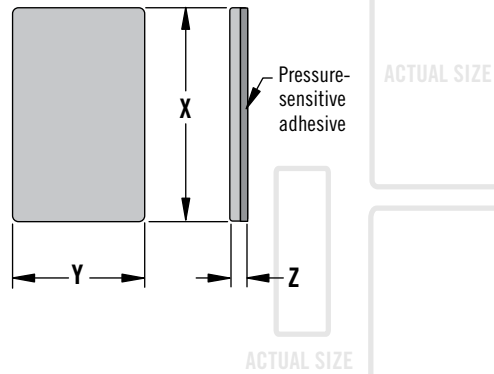
Be sure the mounting surface is clean and capable of retaining a satisfactory adhesive bond.

Self-adhesive mounted strikes are designed to function under intermittent break-away loads. Use screw-mounted strikes for continuous load applications.

Part Number

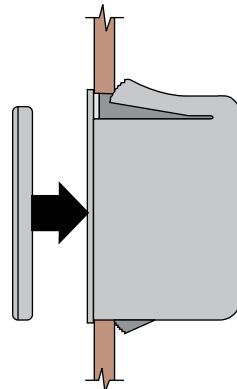
See table

Self-adhesive



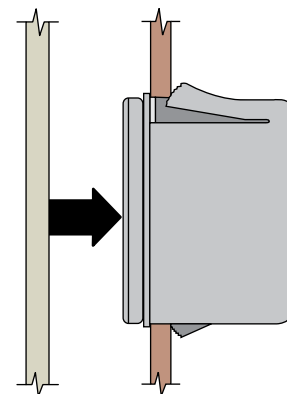
Installation

1. Position strike on installed catch

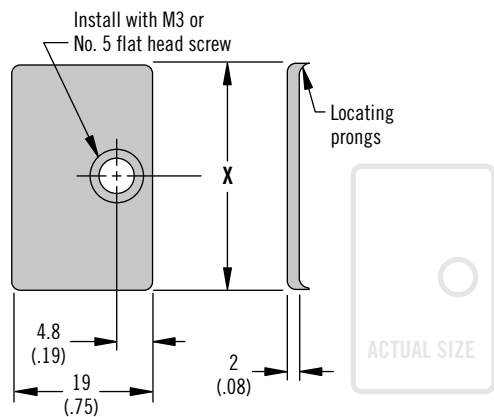


For Use with Series Catch	Strike Part Number	X	Y	Z
300	02-14-301-14	24	8	2.4
400		(.94)	(.31)	(.10)
100	02-14-101-14	32	19	2.8
600		(1.25)	(.75)	(.11)
200	02-14-201-14	51	19	2.8
800		(2.00)	(.75)	(.11)

2. Remove protective paper. Close door or panel onto strike



Screw-Mounted



For Use With Series Catch	Strike Part Number	X
100	02-14-102-11	32 (1.25)
600		
200	02-14-202-11	51 (2.00)
800		

