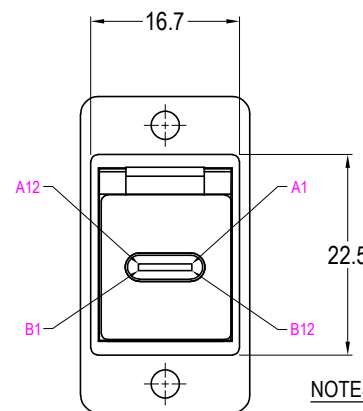
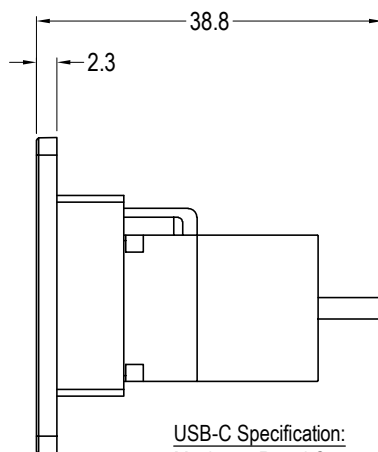
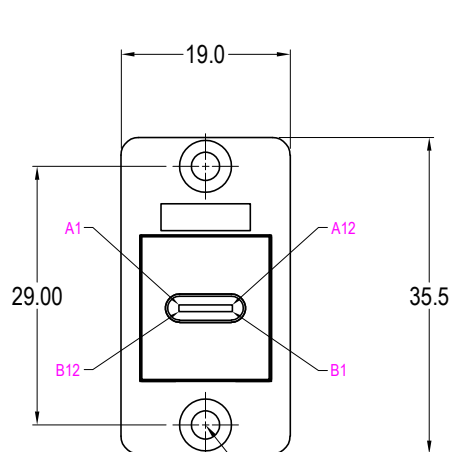
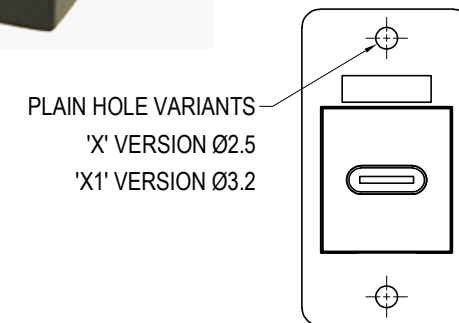
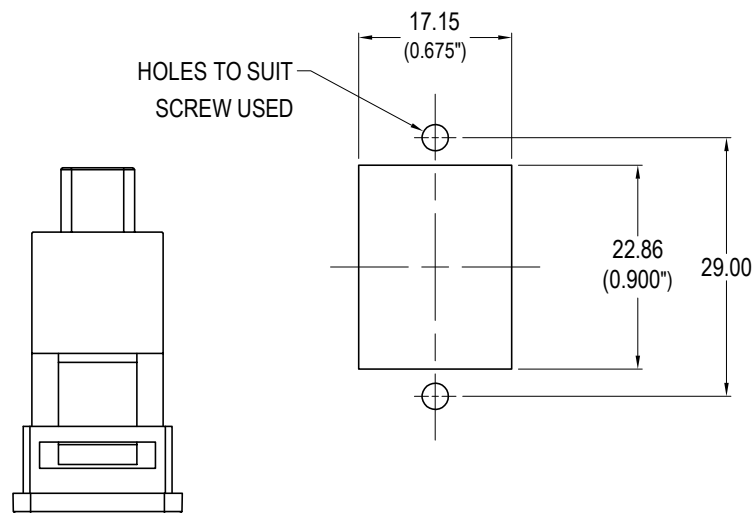


| ISS. | AMEND  | DATE     |
|------|--------|----------|
| 1    | ISSUED | 16/09/20 |



| VARIANTS  |                             |
|-----------|-----------------------------|
| PART NO.  | HOLE DETAILS                |
| CP30611   | HOLE Ø3.2 x CSK 90° x Ø5.85 |
| CP30611X  | PLAIN HOLE Ø2.5             |
| CP30611X1 | PLAIN HOLE Ø3.2             |

3x HOLE VARIANTS  
 Ø3.2mm CSK 90° x Ø5.85  
 'X' PLAIN Ø2.5 HOLES  
 'X1' PLAIN Ø3.2 HOLES

**USB-C Specification:**  
 Maximum Rated Current - 3A  
 Maximum Working Voltage - 30V  
 Withstanding Voltage - 100V for 1 minute.  
 Contact Resistance - 40 Milli-ohms Max.  
 Insulation Resistance - 100 Mega-ohms Min.  
 Insulator Flammability Rating - UL-94V0  
 Insertion Life - 10,000 Cycles.

**NOTES:**  
 Receptacle to Plug connection:  
 A1 to A1, A2 to A2, A3 to A3 ..... etc..  
 B1 to B1, B2 to B2, B3 to B3 ..... etc..  
 Materials:  
 Frame: PA66, UL94-V2  
 Insert: ABS - UL94 HB

**RoHS**  
 COMPLIANT

**TOLERANCE**  
 NO DEC. PLACE ±  
 1 DEC. PLACE ±  
 2 DEC. PLACE ±  
 HOLE Ø ±  
 ANGLES ±  
 UNLESS OTHERWISE STATED

**Cliff Electronic Components Ltd.**  
 76 Holmethorpe Avenue, Holmethorpe Industrial Estate,  
 Redhill, Surrey, RH1 2PF, England, UK  
 Tel: 01737-771375 Fax: 01737-766012 Website: www.cliffuk.co.uk

DIMENSIONS IN MILLIMETERS UNLESS OTHERWISE STATED. WORK TO DIMENSIONS. REMOVE ALL BURRS. IF IN DOUBT ASK.

3rd ANGLE PROJECTION:

DO NOT SCALE

MATERIAL: See Notes

FINISH: See Notes

DRAWN: T.J.O.

APPROVED: D.P.J.

TITLE: FRONT MOUNT SLIM FT USBC F-M

DRWG. No. CP30611

FORM: A4DRWGH