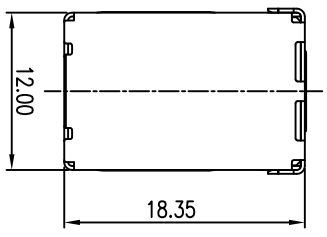
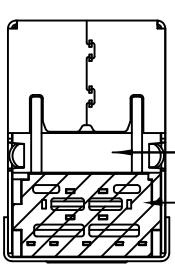


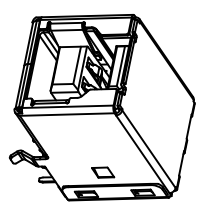
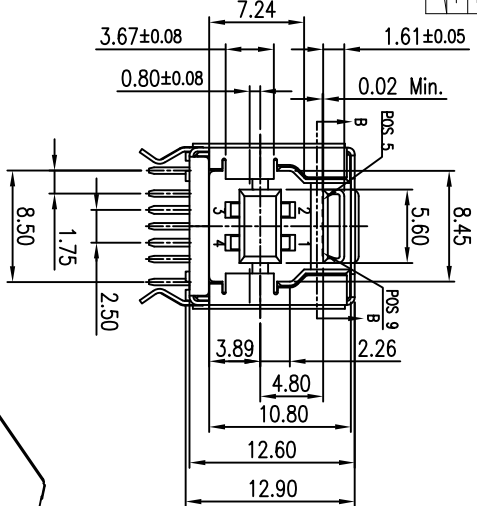
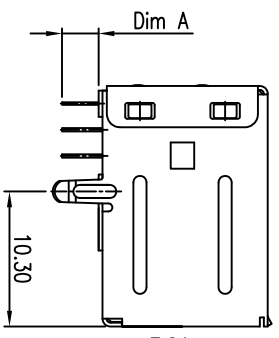
This document is the property of Amphenol Corporation and is delivered on the express condition that it is not to be disclosed, reproduced or used in whole or in part, for manufacture or sale by anyone other than Amphenol Corporation without its prior consent, and that no right is granted to disclose or to use any information in this document. The marking on this product doesn't contain environmental hazardous materials per Material Specification SS-00259 for Sony GP compliant or per directive 2011/65/EU for Rohs compliant.

HOUSING: PBT  
BAFFLE: NYLON66

PART NO. GSB3211XXXXWU  
PLATING OPTIONS  
1: 2.80 MM TAIL LENGTH  
3: 30U" GOLD  
COLOR  
1: BLUE  
3: BLACK

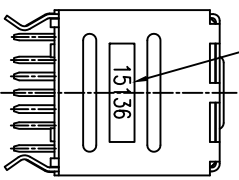


Pin Number	Signal Name	Pin Number	Signal Name
1	VBUS	6	STDB_SSTX+
2	D-	7	GND-DRAIN
3	D+	8	STDB_SSTX-
4	GND	9	STDB_SSTX+
5	STDB_SSTX-		

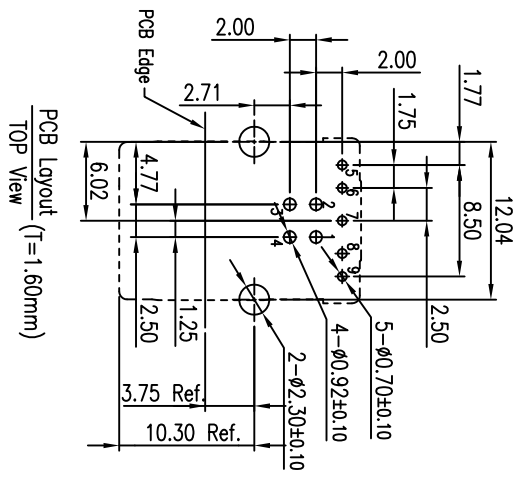


SECTION: A-A

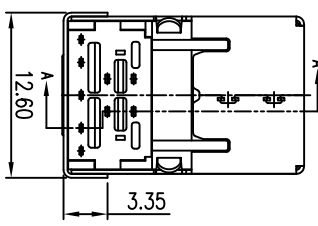
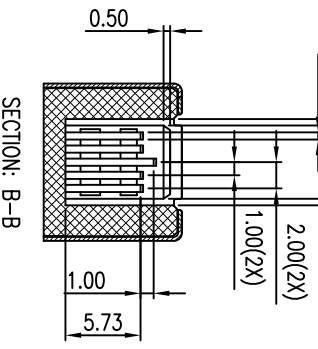
DATE CODE DESCRIPTION  
15 13 6 Saturday  
13 Weeks  
Year



- NOTES:
- MATERIAL:  
HOUSING: HIGH TEMPERATURE THERMAL PLASTIC, PBT, U194V-0.  
BAFFLE : HIGH TEMPERATURE THERMAL PLASTIC, NYLON66, U194V-0.  
TERMINAL A: COPPER ALLOY.  
TERMINAL B: COPPER ALLOY.  
SHELL: COPPER ALLOY.
  - FINISH:  
TERMINAL A & TERMINAL B: CONTACT AREA: SELECTIVE GOLD PLATING;  
SOLDERING AREA: MATTE TIN PLATING 100 μ" THICKNESS MIN.;  
UNDER PLATING: NICKEL PLATING 50 μ" THICKNESS MIN. OVERALL.
  - NICKEL PLATING 50 μ" THICKNESS MIN. OVERALL
  - THIS PRODUCT IS FOR WAVE SOLDERING ONLY.
  - THIS PRODUCT DOESN'T CONTAIN ENVIRONMENTAL HAZARDOUS PER DIRECTIVE 2011/65/EU FOR ROHS COMPLIANT.
  - PRODUCT SPECIFICATION REFER TO : PS-7425



PCB Layout  
TOP View  
(T=1.60mm)



TOLERANCE	APPROVALS	DATE	TITLE
X XX XXX XXXX	DRAWN Sandy Wu	05/01/2017	USB 3.0 B TYPE RECEPTACLE RIGHT ANGLE, DIP TYPE
±0.30 ±0.20 ±0.10	CHECKED Debby Huing	05/01/2017	
ANGULAR ±1°	APPROVED Arron Lin	05/01/2017	
UNLESS OTHERWISE SPECIFIED	DWG TYPE CUST DWG	PROJECT CODE OTHER	

**Amphenol**  
Amphenol Corporation  
Amphenol Taiwan Corporation

PART NO. GSB3211XXXXWU  
DWG NO. GSB3211XXXXWU

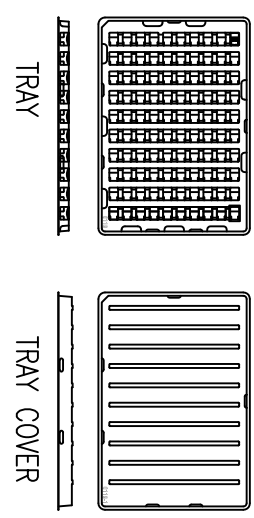
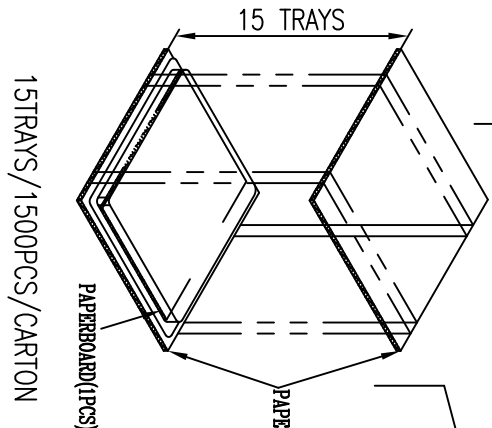
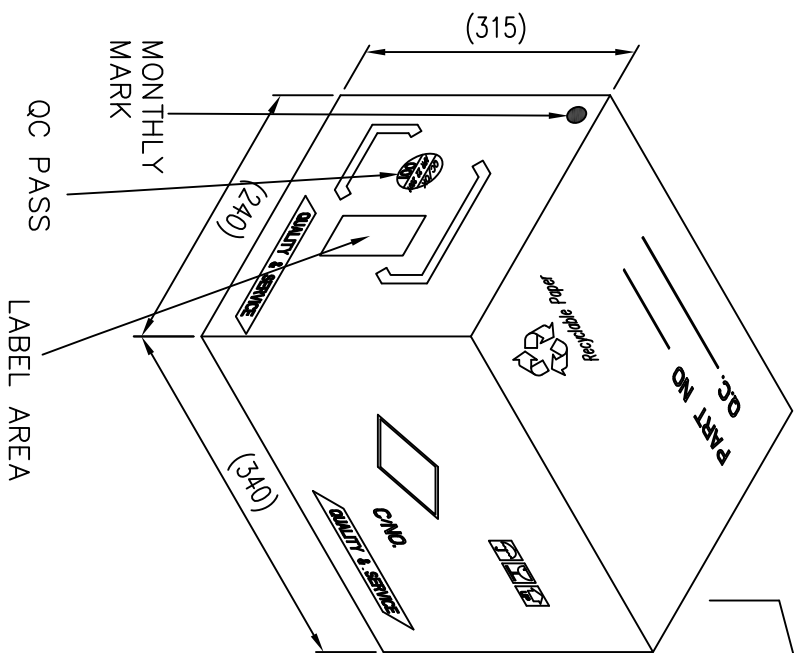
UNIT: mm  
SCALE: NA  
SHEET: 1 OF 2

REV. E

REVISIONS

SYM	ECN No.	DESCRIPTION	DATE	APPROVED
A	NE-14144	RELEASE REVISION	10/29/2010	Arron Lin
B	NE-15098	ADD DATE CODE	09/01/2014	Arron Lin
C	NE-15098	ADD DIM & REMOVE "3.0" MARK (3.50mm OPTION)	09/19/2015	Arron Lin
D	NE-15133	ADD DIM 3.75(ref.) & 10.30(ref.)	11/03/2015	Arron Lin
E	NE-17098	ADD FLANGE LENGTH, CHANGE D/C DETAIL RULE	05/01/2017	Arron Lin

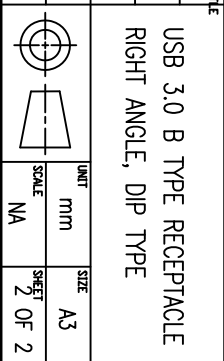
This document is the property of Amphenol Corporation and is delivered on the express condition that it is not to be disclosed, reproduced or used in whole or in part, for manufacture or sale by anyone other than Amphenol Corporation without its prior consent, and that no right is granted to disclose or to use any information in this document. The marking on this product doesn't contain environmental hazardous materials per Material Specification SS-00259 for Sony GP compliant or per directive 2011/65/EU for RoHS compliant.



REVISONS		DATE	APPROVED
S/M	ECON No.		
A	NE-14144	10/29/2010	Arron Lin
B	NE-15098	08/01/2014	Arron Lin
C	ADD DIM & REMOVE "3.0" MARK (3.30mm OPTION)	08/19/2015	Arron Lin
D	ADD DIM 3.75(red.) & 10.30(white)	11/03/2015	Arron Lin
E	ADD FLANGE LENGTH, CHANGE D/C DETAIL RULE	05/01/2017	Arron Lin

PCS / TRAY	TRAYS / BOX	QUANTITY (PCS)	G/W (Kg)	N/W (Kg)	PART NUMBER
100	15	1500	8.3	7.0	GSB3211XXXXWU

TOLERANCE	APPROVALS	DATE	TITLE
X X.X X.XX X.XXX X.XXX	DRAWN Sandu Wu	05/01/2017	USB 3.0 B TYPE RECEPTACLE
ANGULAR ±1°	CHECKED Debby Hung	05/01/2017	RIGHT ANGLE, DIP TYPE
UNLESS OTHERWISE SPECIFIED	APPROVED Arron Lin	05/01/2017	
	DWG TYPE CUST DWG	PROJECT CODE OTHER	



1 2 3 4 5 6 7 8