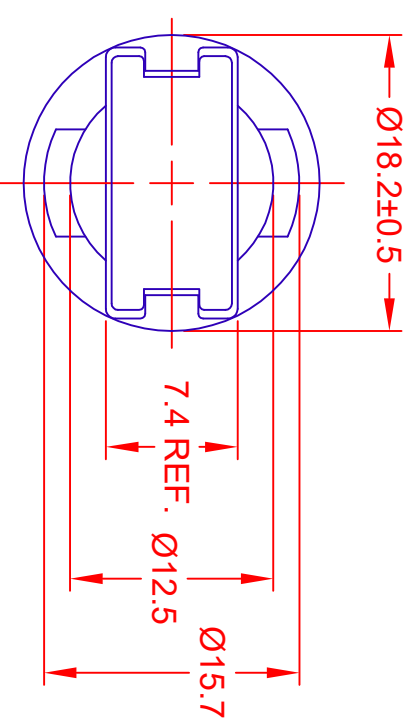
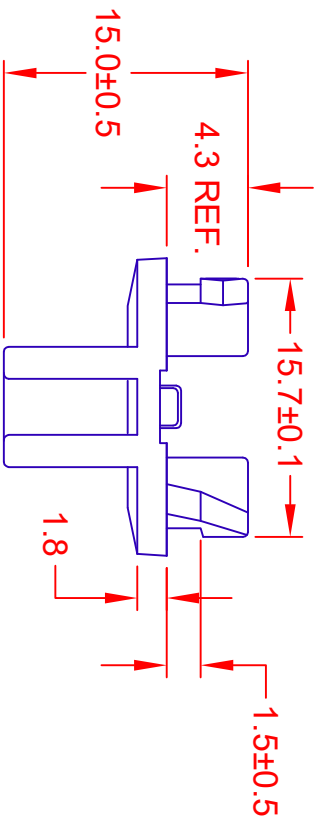
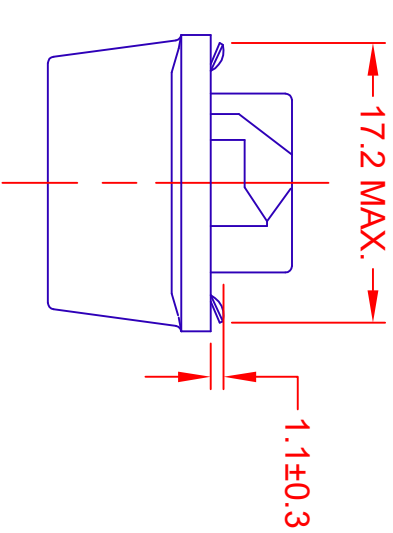
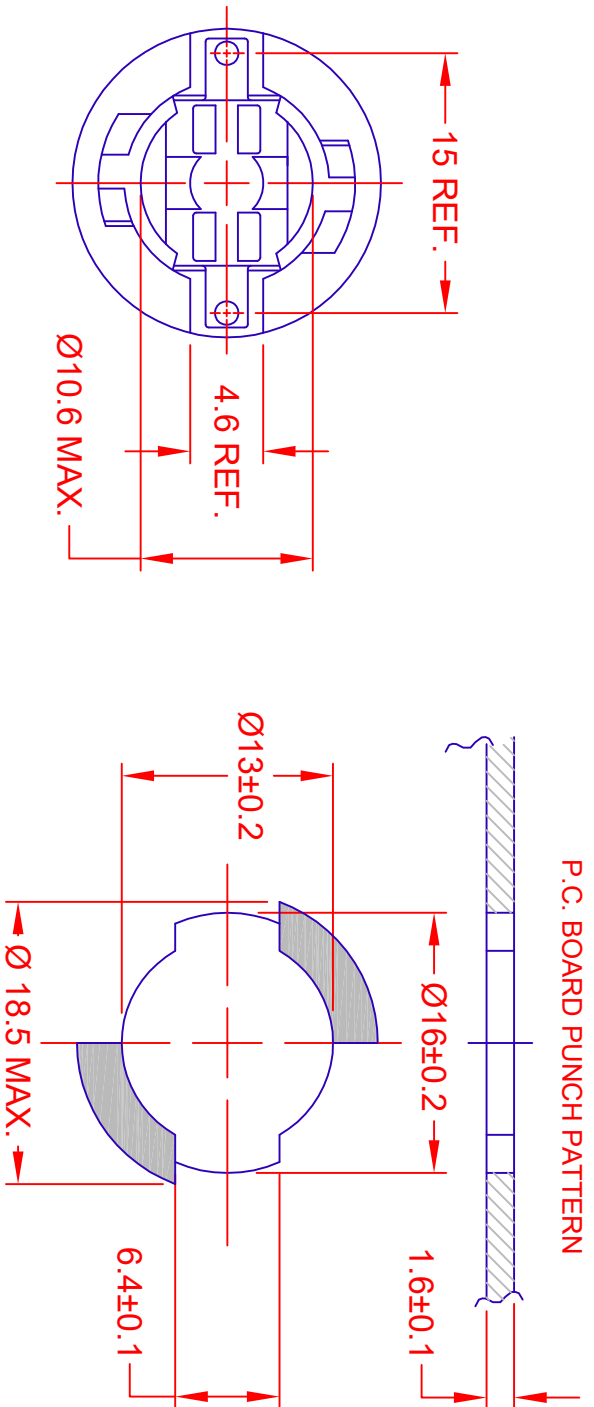


REV.	DESCRIPTION/ECO NO.	DATE
	RELEASED AS CAD	8/26/02
A	CHANGE MECH. ART	7/24/06
B	CHANGE CONTACT DIMENSION	8/18/06
C	CHANGE DIM. 5 TO 4.3 REF.	2/5/07
D	ADD DIM. 15.7±0.1	1/5/17
E	ADD SOLDER PAD	2/15/17

P.C. BOARD PUNCH PATTERN



BASE COLOR: BLACK

METRIC	DIMENSIONS ARE IN MILLIMETERS
 THIRD ANGLE PROJECTION	TOLERANCE UNLESS OTHERWISE SPECIFIED 1 PL +/- 0.2 2 PL +/- 0.20 ANGLE +/- 0

JKL COMPONENTS CORPORATION	
TITLE	
T-3 1/4 WEDGE BASE LAMP SOCKET	

DRAWN BY	DATE	SIZE	FSCM NO.	DRAWING NO.
L. WENGSTROM	2/15/17	A	55335	
APPR'D BY	DATE	SCALE	RELEASED DATE	REVISION DATE
		NONE	8/26/02	2/15/17
MANUAL REVISIONS NOT PERMITTED				

SOCKET 2933

SHEET 1 OF 1