

# Control cabinet feed-through - VS-BH-M12FSX-10G-RJ45/90



1404548

<https://www.phoenixcontact.com/us/products/1404548>

Please be informed that the data shown in this PDF document is generated from our Online Catalog. Please find the complete data in the user documentation. Our General Terms of Use for Downloads are valid.

Control cabinet feed-through, M12, 8-pos., X-coded to RJ45 socket, socket input 90°, IP65/67



## Commercial Data

Item number	1404548
Packing unit	1 pc
Minimum order quantity	1 pc
Sales Key	A08
Product Key	ABNGAC
Catalog Page	Page 348 (C-2-2019)
GTIN	4046356699419
Weight per Piece (including packing)	36.2 g
Weight per Piece (excluding packing)	36 g
Customs tariff number	85366990
Country of origin	DE

# Control cabinet feed-through - VS-BH-M12FSX-10G-RJ45/90



1404548

<https://www.phoenixcontact.com/us/products/1404548>

## Technical Data

### Product properties

Type	M12
Product type	Data plug
Number of positions	8
Number of slots	1
Shielded	yes
Cable outlet	angled
Thread type	M12

### Electrical properties

Rated voltage (III/3)	72 V (DC)
Rated surge voltage	0.8 kV
Rated current	1.75 A
Nominal voltage $U_N$	48 V
Nominal current $I_N$	0.5 A
Transmission medium	Copper

### Material specifications

Color	black
Flammability rating according to UL 94	V0
Material of grip body	PA
Contact material	Copper alloy
Housing material	Plastic

### Mechanical properties

#### Mechanical data

Insertion/withdrawal cycles	$\geq 100$
-----------------------------	------------

### Environmental and real-life conditions

#### Ambient conditions

Degree of protection	IP65 IP67
Degree of protection	IP65/IP67
Ambient temperature (operation)	-25 °C ... 85 °C
Ambient temperature (storage/transport)	-25 °C ... 85 °C

### Mounting

Mounting type	Rear mounting
---------------	---------------

# Control cabinet feed-through - VS-BH-M12FSX-10G-RJ45/90

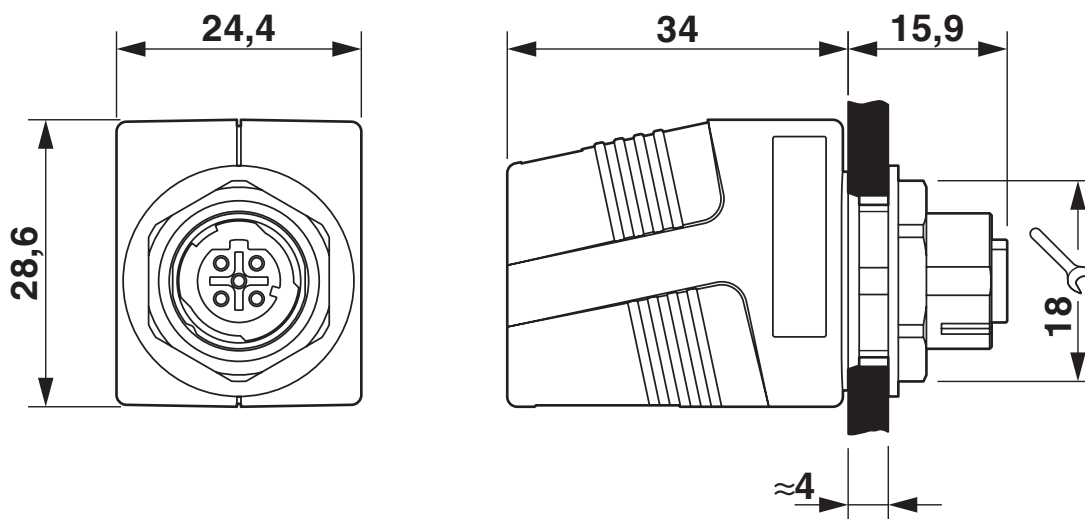


1404548

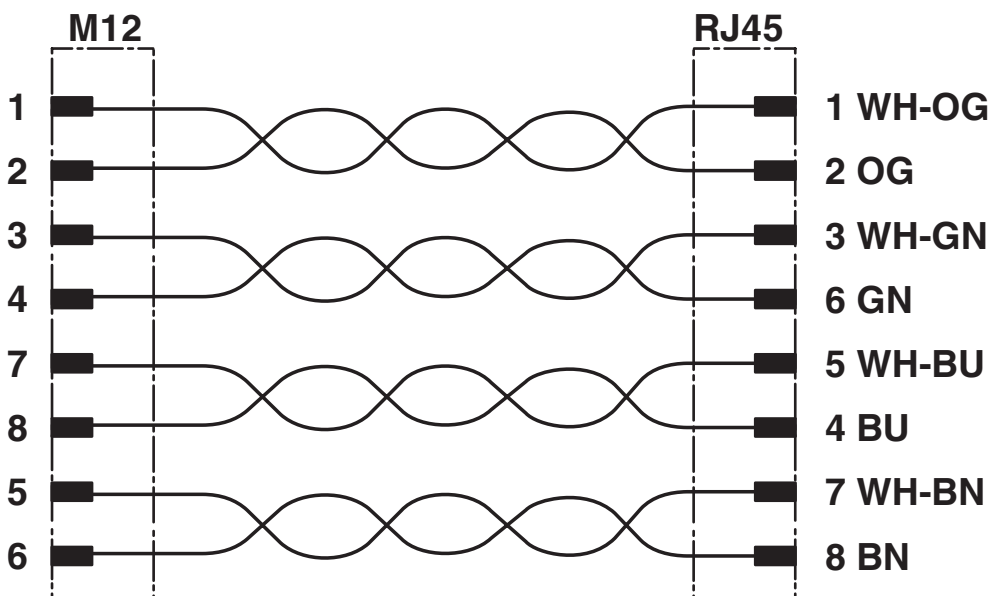
<https://www.phoenixcontact.com/us/products/1404548>

## Drawings

Dimensional drawing



Circuit diagram

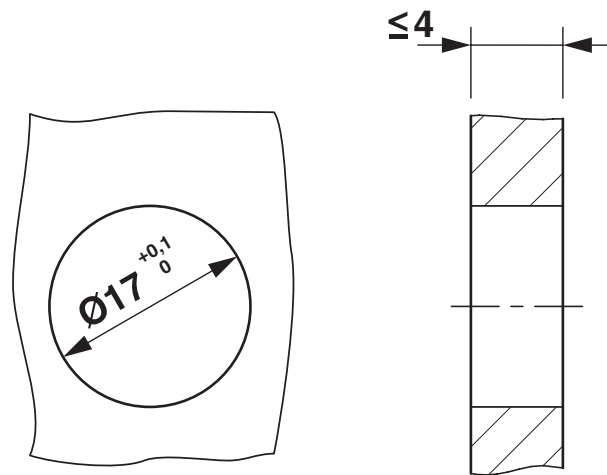


# Control cabinet feed-through - VS-BH-M12FSX-10G-RJ45/90

1404548

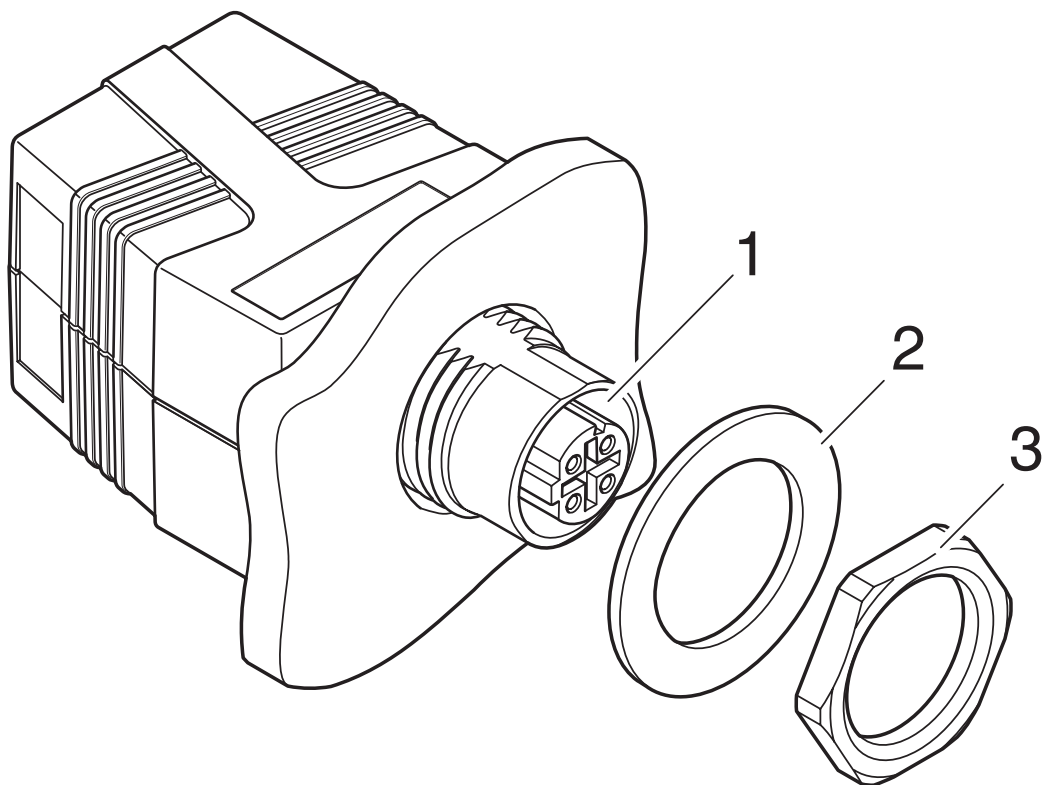
<https://www.phoenixcontact.com/us/products/1404548>

Dimensional drawing



Mounting cutout

Exploded view



Exploded drawing

# Control cabinet feed-through - VS-BH-M12FSX-10G-RJ45/90



1404548

<https://www.phoenixcontact.com/us/products/1404548>

## Approvals



### EAC

Approval ID: B.01687



### UL Listed

Approval ID: E335024-20140306

	Nominal Voltage $U_N$	Nominal Current $I_N$	Cross Section AWG	Cross Section $\text{mm}^2$
	60 V	0.5 A	-	-



### cUL Listed

Approval ID: E335024-20140306

	Nominal Voltage $U_N$	Nominal Current $I_N$	Cross Section AWG	Cross Section $\text{mm}^2$
	60 V	0.5 A	-	-

### cULus Listed

# Control cabinet feed-through - VS-BH-M12FSX-10G-RJ45/90



1404548

<https://www.phoenixcontact.com/us/products/1404548>

## Classifications

### ECLASS

ECLASS-9.0	27440312
ECLASS-10.0.1	27440312
ECLASS-11.0	27440312

### ETIM

ETIM 8.0	EC002641
----------	----------

### UNSPSC

UNSPSC 21.0	39121400
-------------	----------

# Control cabinet feed-through - VS-BH-M12FSX-10G-RJ45/90



1404548

<https://www.phoenixcontact.com/us/products/1404548>

## Environmental Product Compliance

REACH SVHC	Lead 7439-92-1
China RoHS	Environmentally Friendly Use Period = 50 years
	For information on hazardous substances, refer to the manufacturer's declaration available under "Downloads"

Phoenix Contact 2023 © - all rights reserved  
<https://www.phoenixcontact.com>

Phoenix Contact USA  
586 Fulling Mill Road  
Middletown, PA 17057, United States  
(+717) 944-1300  
[info@phoenixcon.com](mailto:info@phoenixcon.com)