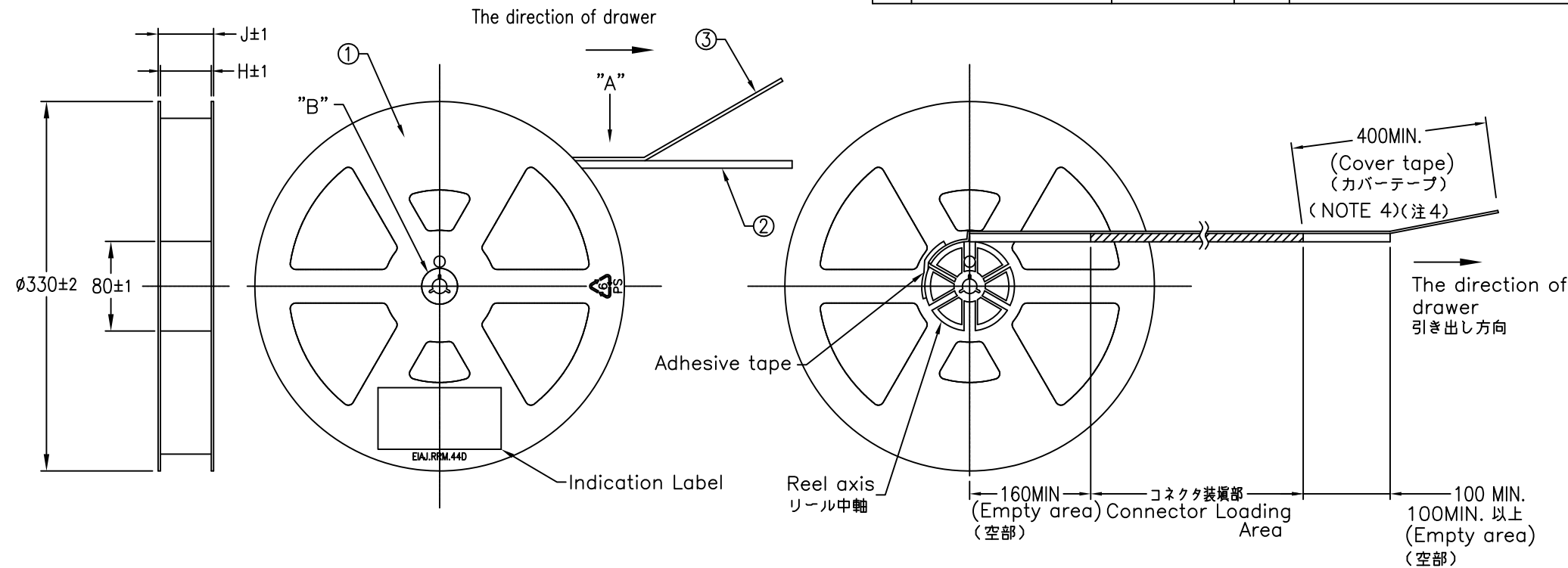


PRODUCT NO.	Finish	No. of Contact	Status
10125839-03RAEHLF	Au	3 pos	
10125839-04RAEHLF	Au	4 pos	
10125839-06RAEHLF	Au	6 pos	

PARTS TABLE 部品表

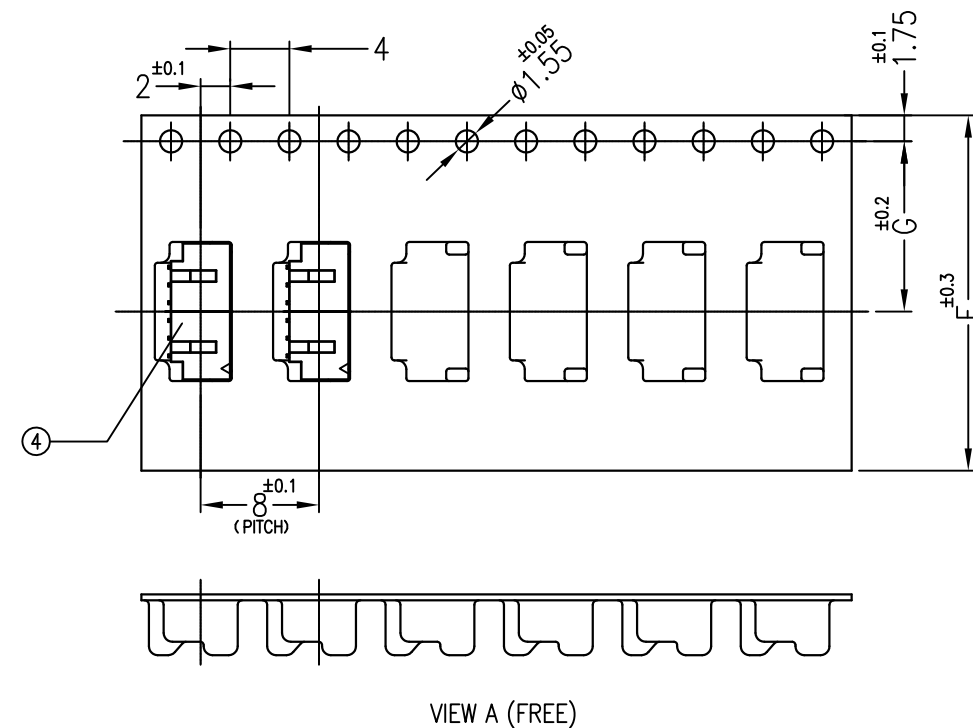
No.	PART NAME	MATERIAL	QTY.	NOTE
①	THE REEL FOR PACKAGING	POLYSTYRENE	1	Color : WHITE or BLACK ELECTRIFICATION PREVENTION PROCESSING
②	EMBOSS TAPE	PP or PET	1	ELECTRIFICATION PREVENTION PROCESSING
③	COVER TAPE	POLYESTER	1	
④	CONNECTOR	SEE SHEET 2	2,000	

EMBOSS PACKAGE



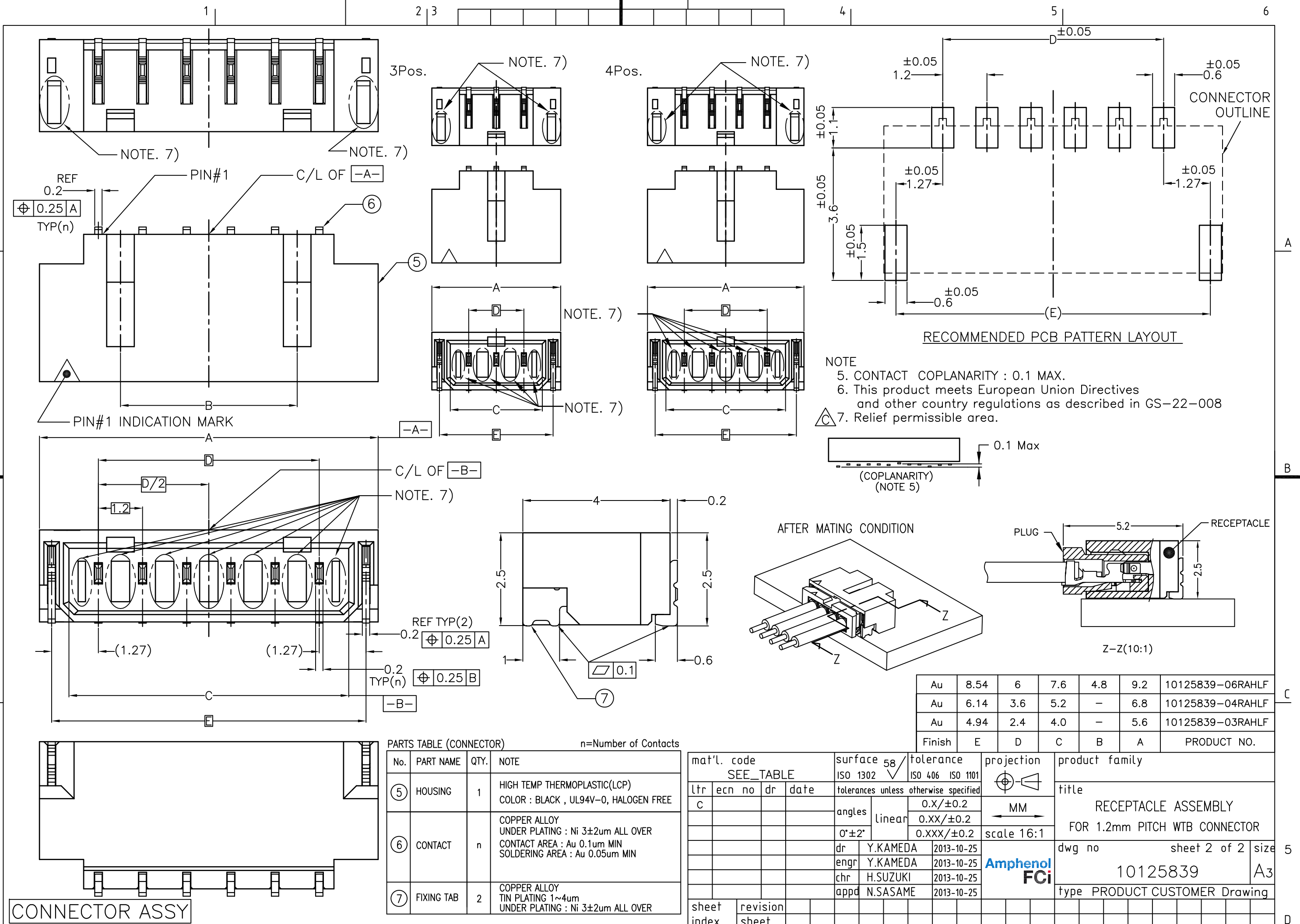
NOTE

- THIS ARTICLE CARRIES OUT THE EMBOSS TAPE PACKAGE OF THE CONNECTOR FOR 1.2mm PITCH WIRE TO BOARD CONNECTOR.
- THE SHAPE AND DIMENSION OF THIS ARTICLE ARE BASED ON JIS C 0806. (TAPING OF ELECTRIC PARTS < SURFACE MOUNTED DEVICE)
- PACKAGING SPEC. : REFER TO GS-14-2360
- PRODUCT SPEC. : REFER TO GS-12-1189

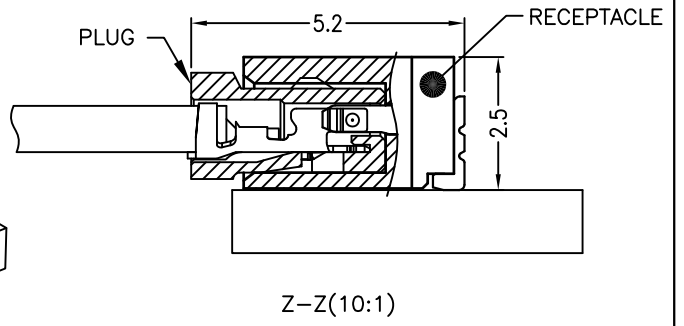
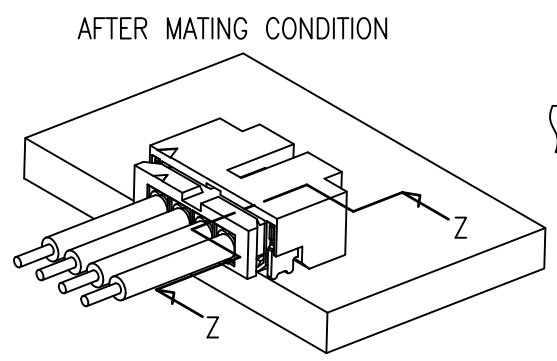
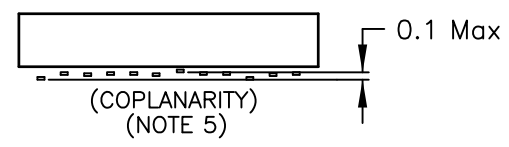


29.5	25.5	11.5	24	10125839-06RAEHLF
21.5	17.5	7.5	16	10125839-04RAEHLF
21.5	17.5	7.5	16	10125839-03RAEHLF
J	H	G	F	PRODUCT NO.

mat'l. code		surface 58		tolerance		projection		product family	
		ISO 1302		ISO 406 ISO 1101					
ltr	ecn no	dr	date	tolerances unless otherwise specified				title	
A		Y.K	2013-12-17	angles	linear	MM		RECEPTACLE ASSEMBLY	
B	ELX-J-16637	Y.K	2013-12-17					FOR 1.2mm PITCH WTB CONNECTOR	
C	ELX-J-31187	Y.K	2018-09-06	0°±3'	0.XXX/±0.2	scale NA		dwg no	
		dr	Y.KAMEDA	2013-10-25			sheet 1 of 2		size 5
		enr	Y.KAMEDA	2013-10-25			10125839		A3
		chr	H.SUZUKI	2013-10-25			type		PRODUCT CUSTOMER Drawing
		appd	N.SASAME	2013-10-25					
sheet index	revision sheet	C	C						
		1	2						



NOTE  
 5. CONTACT COPLANARITY : 0.1 MAX.  
 6. This product meets European Union Directives and other country regulations as described in GS-22-008  
 7. Relief permissible area.



Au	8.54	6	7.6	4.8	9.2	10125839-06RAHLF
Au	6.14	3.6	5.2	-	6.8	10125839-04RAHLF
Au	4.94	2.4	4.0	-	5.6	10125839-03RAHLF
Finish	E	D	C	B	A	PRODUCT NO.

CONNECTOR ASSY

PARTS TABLE (CONNECTOR) n=Number of Contacts

No.	PART NAME	QTY.	NOTE
⑤	HOUSING	1	HIGH TEMP THERMOPLASTIC(LCP) COLOR : BLACK , UL94V-0, HALOGEN FREE
⑥	CONTACT	n	COPPER ALLOY UNDER PLATING : Ni 3±2um ALL OVER CONTACT AREA : Au 0.1um MIN SOLDERING AREA : Au 0.05um MIN
⑦	FIXING TAB	2	COPPER ALLOY TIN PLATING 1~4um UNDER PLATING : Ni 3±2um ALL OVER

mat'l. code SEE_TABLE				surface 58/ISO 1302		tolerance ISO 406 ISO 1101		projection		product family	
ltr	ecn no	dr	date	tolerances unless otherwise specified		0.X/±0.2		MM		title	
c				angles	linear	0.XX/±0.2		scale 16:1		RECEPTACLE ASSEMBLY	
				0°±2'		0.XXX/±0.2				FOR 1.2mm PITCH WTB CONNECTOR	
				dr	Y.KAMEDA	2013-10-25		Amphenol FCI		dwg no sheet 2 of 2 size 5	
				enr	Y.KAMEDA	2013-10-25				10125839 A3	
				chr	H.SUZUKI	2013-10-25				type PRODUCT CUSTOMER Drawing	
				appd	N.SASAME	2013-10-25					
sheet index		revision sheet									

# Mouser Electronics

Authorized Distributor

Click to View Pricing, Inventory, Delivery & Lifecycle Information:

[FCI / Amphenol:](#)

[10125839-06RAEHLF](#) [10125839-04RAEHLF](#) [10125839-03RAEHLF](#)