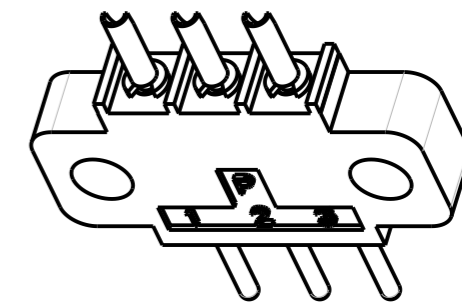
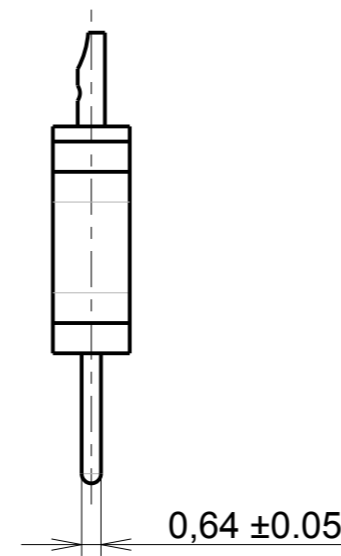
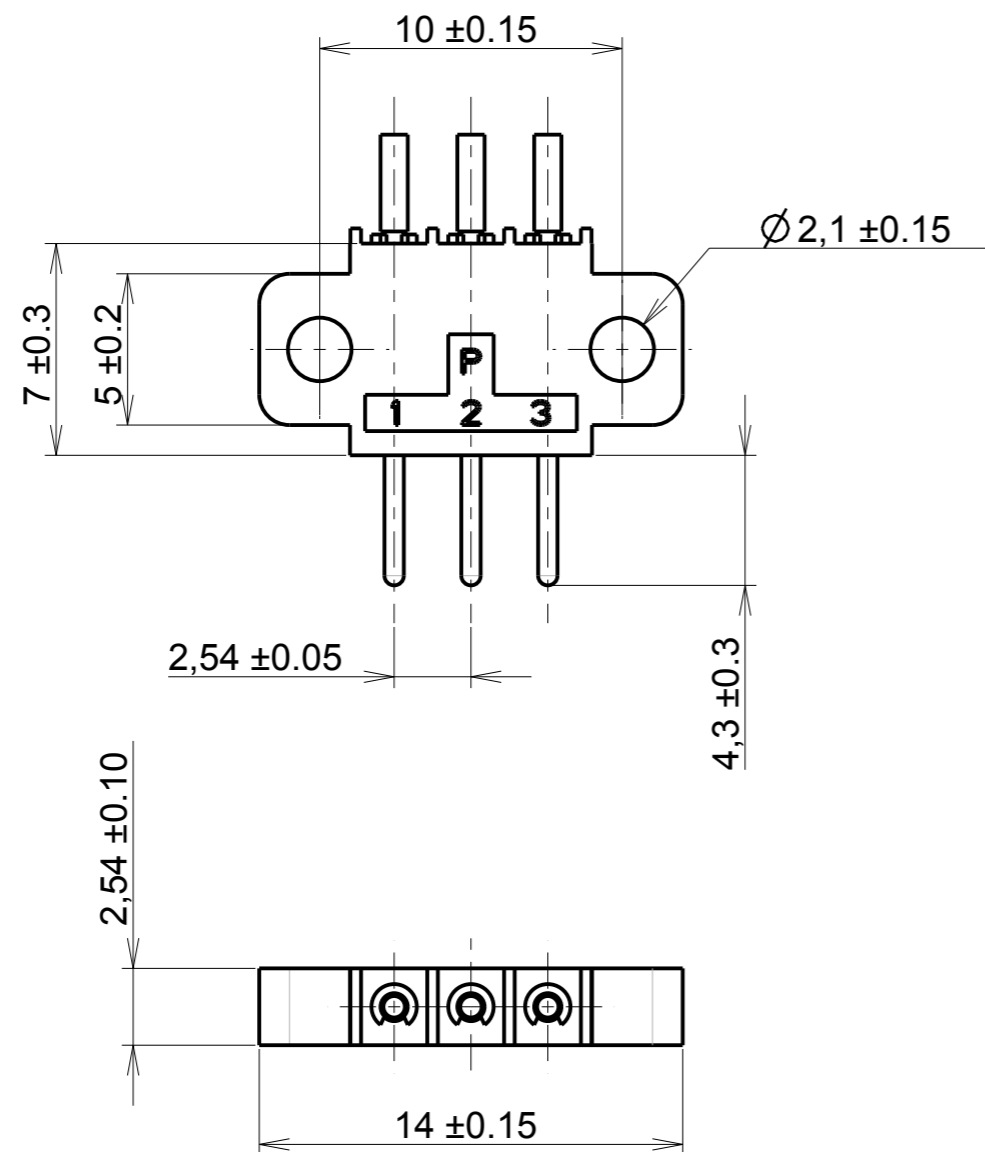


a;0;RL



P/N : 8145-03-0-P0-000

**PART NUMBER :8145030P0000**

- Basic Series : 000 : Standard
- No. of contacts : 03 : Microminiature 3
- Insulator type : 0 : Microminiature
- Polarization : 000 : Standard
- Contact type : 0 : Solder bucket
- Contact gender : P : Male

a	10/04/2013	First issue	
ISS	DATE	Latest modification - by: LUSSON	MOD N°
Designed by: LUSSON		Date: 10/04/2013	CUSTOMER DRAWING
TITLE		MALE 8145 CONNECTOR MICROMINIATURE	
Scale	4/1	General linear Tolerances: ± --	NPRDS / PROJECT
SOURIAU		WWW.SOURIAU.COM	
SOURIAU DRG N° 8145-0030A-C02			This document is the property of SOURIAU It must not be reproduced or communicated without permission
FORMAT	A3		SHEET 1 / 1

# Mouser Electronics

Authorized Distributor

Click to View Pricing, Inventory, Delivery & Lifecycle Information:

[Souriau:](#)

[8145-03-0P0-000](#)