




INSULATED PC SPACER/SUPPORTS

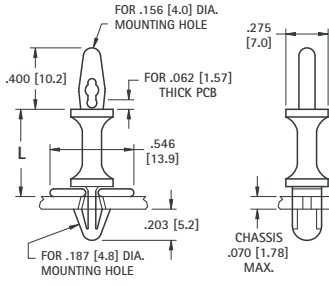
- Board will be electrically insulated, eliminates need for insulating washers
- No tool required for installation
- Easy snap-in assembly
- One pieces design eliminates the need for additional screws and nuts
- Fits snug onto board
- Accommodates varying board thicknesses
- Flame retardant

INSULATED PC SPACERS/SUPPORTS

.156 (4.0) **SLIMLINE TENSION-FIT**



- One end permanently attaches to .070 (1.78) max. thick chassis
- Other end tension fits to .062 (1.57) max. thick PC board
- Board is easily releasable for repairs or upgrades
- Low insertion force




CAT. NO.	L LENGTH
1927A	.250 (6.4)
1928A	.375 (9.5)
1929A	.500 (12.7)
1930A	.625 (15.9)
1931A	.750 (19.1)
1932A	.875 (22.2)
1933A	1.000 (25.4)

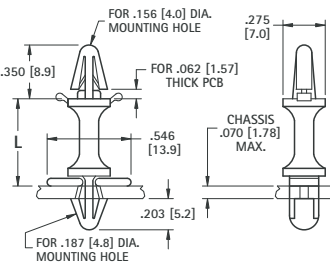
.187 (4.8)

MATERIAL: Nylon 6/6, UL Rated 94V-0

.156 (4.0) **SLIMLINE LOCK-IN**



- One end permanently attaches to .070 (1.78) max. thick chassis
- Other end permanently attaches to .062 (1.57) max. thick PC board
- Low insertion force
- Small footprint frees up board space.




CAT. NO.	L LENGTH
1927B	.250 (6.4)
1928B	.375 (9.5)
1929B	.500 (12.7)
1930B	.625 (15.9)
1931B	.750 (19.1)
1932B	.875 (22.2)
1933B	1.000 (25.4)

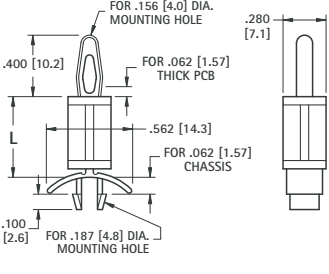
.187 (4.8)

MATERIAL: Nylon 6/6, UL Rated 94V-0

.156 (4.0) **STURDY TENSION-FIT**



- One end permanently attaches to .031(.79) - .078 (2.0) thick chassis
- Other end tension fits to .062 (1.57) max thick PC board
- Board is easily releasable for repairs or upgrades
- Sturdy support due to high contact area




CAT. NO.	L LENGTH
8800	.187 (4.7)
8801	.250 (6.4)
8802	.375 (9.5)
8803	.500 (12.7)
8804	.625 (15.9)
8805	.750 (19.1)
8806	.875 (22.2)

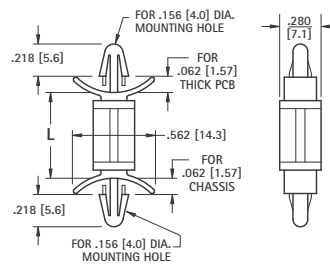
.187 (4.8)

MATERIAL: Nylon 6/6, UL Rated 94V-0

.156 (4.0) **STURDY LOCK-IN**



- Both ends permanently attaches to .031 (.79) - .078 (2.0) thick chassis or board
- Sturdy support due to high contact area




CAT. NO.	L LENGTH
8815	.187 (4.7)
8816	.250 (6.4)
8817	.375 (9.5)
8818	.500 (12.7)
8819	.625 (15.9)
8820	.750 (19.1)
8821	.875 (22.2)

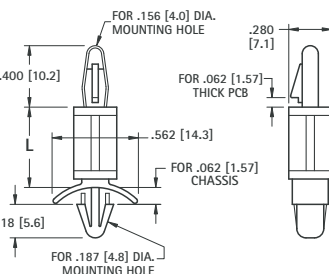
.156 (4.0)

MATERIAL: Nylon 6/6, UL Rated 94V-0

.156 (4.0) **STURDY LOCK-IN RELEASE**



- Locks onto .062 (1.57) thick PC board
- Board is positively locked until manually released
- Board is easily releasable for repairs or upgrades
- Sturdy support due to high contact area with chassis




CAT. NO.	L LENGTH
8807	.187 (4.7)
8808	.250 (6.4)
8809	.375 (9.5)
8810	.500 (12.7)
8811	.625 (15.9)
8812	.750 (19.1)
8813	.875 (22.2)
8814	1.000 (25.4)

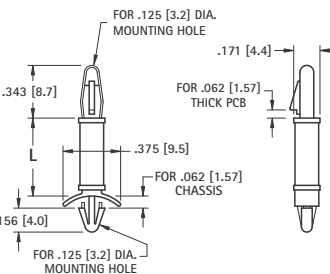
.187 (4.8)

MATERIAL: Nylon 6/6, UL Rated 94V-0

.125 (3.2) **SLIMLINE LOCK-IN RELEASE**



- Locks onto .062 (1.57) thick PC board
- Board is positively locked until manually unlocked
- Board is easily releasable for repairs or upgrades
- Compact design uses smaller mounting holes



CAT. NO.	L LENGTH
8871	.187 (4.7)
8872	.250 (6.4)
8873	.375 (9.5)
8874	.500 (12.7)
8875	.625 (15.9)

.125 (3.2)

MATERIAL: Nylon 6/6, UL Rated 94V-0

