



Outside Micrometer Economy Design

0-1"

Item number: 103-177



Description

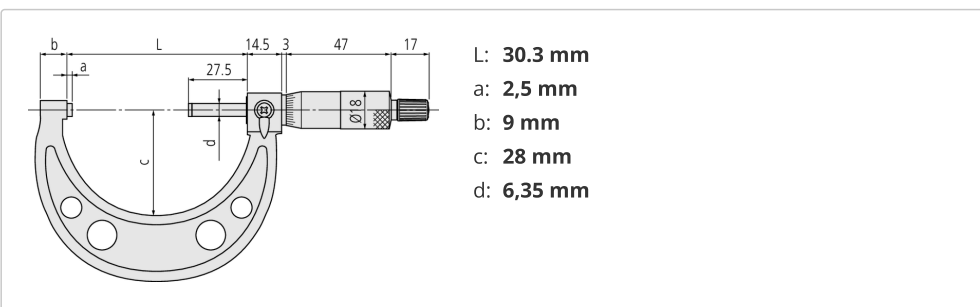
Lightweight workshop design with baked-enamel-finished frame.

- Equipped with Ratchet Stop for constant measuring force.

Specification

Range:	0 - 1
Parallelism:	[0,00008+0,00004(L/4)]", L = max. range (inch)
Maximum Permissible Error J MPE:	±0,0001"
Measuring force:	5 - 10 N
Mass:	175 g
Measuring face:	Carbide-tipped, micro-lap finish
Measuring spindle:	With spindle lock, $\varnothing 6,35$ mm (≤ 300 mm) $\varnothing 8$ mm (> 300 mm), spindle pitch 0,5 mm
Scale:	Thimble and sleeve satin chrome finish, $\varnothing 18$ mm
Digital/Analog:	Analog
Inch-Metric:	Inch
Graduation:	0,001"
Delivered:	Including box, setting standard (from 1" upward), key, certificate of inspection (0-2" range)

Dimensions



Accessories

Optional accessories:

**Micrometer Stand, 45° Angle Type
for Micrometer 0-50mm/0-2"**
156-105-10



List Price

£41.40 inc. VAT

£34.50 ex. VAT



**Micrometer Stand, Adjustable Angle Type
for Micrometer 0-100mm/0-4"**

156-101-10

List Price

£54.60 inc. VAT

£45.50 ex. VAT