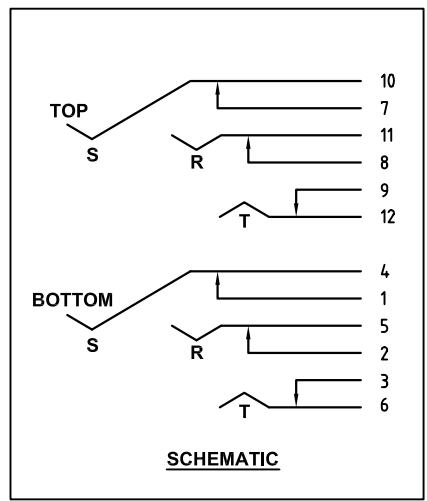
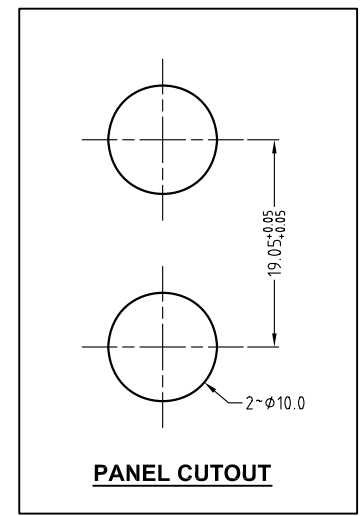


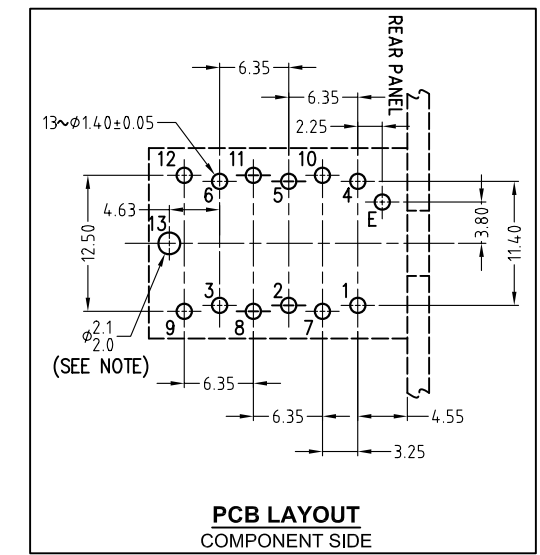
ISO VIEW
SCALE 1:1



SCHEMATIC



PANEL CUTOUT



PCB LAYOUT
COMPONENT SIDE

NOTE: OPTIONAL MOUNTING HOLE FOR SELF-TAPPING M2 SCREW

CATALOGUE P/N	NUT OPTION
ACJS-LHDEM	NO NUT & WASHER
ACJS-MHDEM	METAL NUT & WASHER INCLUDED

UNLESS OTHERWISE SPECIFIED TOLERANCE TO BE		THIS DOCUMENT IS THE PROPERTY OF AMPHENOL AUSTRALIA PTY. LTD. NO PART THEREOF MAY BE REPRODUCED AND USED WITHOUT THE PRIOR WRITTEN CONSENT OF THE OWNER				0	FIRST ISSUE	M.H	17-06-09	----
LINEAR	ANGULAR	CAD FILE: 55010600000120				REV.	CHANGE DETAILS	BY	DATE	CHG/No
X ± 0.5	X° ± 1°	MATERIAL: REFER TO COMPONENT				DATE: 17-06-09	TITLE: 1/4" PHONE STEREO DUAL JACK CUSTOMER DRAWING		Amphenol	
X.X ± 0.10	X°X' ± 30'	FINISH: REFER TO COMPONENT				DATE: 17-06-09	DRAWING No.		Amphenol Australia Pty.Ltd, 2 Fireways Blvd, Keysborough, Vic3173	
X.XX ± 0.05	X°X'X" ± 15'	DO NOT SCALE				DATE: 17-06-09	SHEET		2 OF 2	
DIMENSIONS IN MILLIMETRES		THIRD ANGLE PROJECTION		SCALE: 2:1 UDS	PART No:	SEE TABLE	SIZE: A3	55010600-00-2		