

PRODUCT NUMBER
20020316-XXXXXXLF

20020316-□ □ □ □ □ 0 □ L F

PITCH
G: 5.00 mm
H: 5.08 mm

POLES
02: 2 POLES
03: 3 POLES
04: 4 POLES
24: 24 POLES

LF : DENOTED RoHS COMPATIBLE
1 : STANDARD PRODUCT
W/ BOX PACKING

SCREW CODE

CODE	SCREW TYPE	AVAILABILITY
A	-/+	ON REQUEST ONLY
B	-	STANDARD

PROPERTY TABLE			
FCI SERIES NAME		21-500	21-508
PITCH (mm)		5.00	5.08
VOLTAGE RATING (VAC)		300	300
CURRENT RATING (A)		16	16
APPLICABLE WIRE RANGE (AWG)	1-WIRE	12~28	12~28
	2-WIRE	18~28	18~28
WIRE CROSS SECTION (mm ²)	SOLID	1-WIRE	2.5
		2-WIRE	1
	STRANDED	1-WIRE	1.5
		2-WIRE	0.75
OPENING CONTACT HOUSING(mm)		2.1*2.7	2.1*2.7
WIRE STRIP LENGTH(mm)		6~7	6~7
TORQUE +/-10% (N-m/Lb-in)		0.40/3.5	0.40/3.5
SCREW		M3x0.5	M3x0.5
WITHSTANDING VOLTAGE (kV)		1.6	1.6
OPERATING TEMP. (°C)		-40~+115	-40~+115
SOLDERING TEMP. (°C)		250±10 (5 sec.)	250±10 (5 sec.)
POLES AVAILABLE		02~24	02~24
SAFETY CERTIFICATE		PENDING	

HOUSING CODE

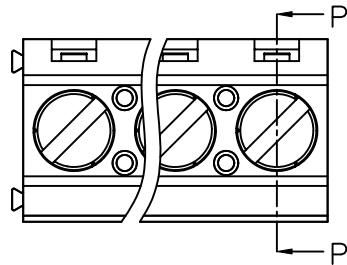
CODE	COLOR	AVAILABILITY
1	GREEN(RAL 6018/T)	STANDARD
2	BLACK	ON REQUEST ONLY
3	GREY(RAL 7004/P)	ON REQUEST ONLY
4	BLUE(RAL 5015/A)	ON REQUEST ONLY

NOTES:

- MATERIALS
- 1-1 HOUSING: THERMALPLASTIC RESIN, UL 94V-0 RATED.
- 1-2 SCREW: STEEL, ZINC PLATED.
- 1-3 CLAMP: COPPER ALLOY, NICKEL PLATED.
- 1-4 TERMINAL: COPPER ALLOY, TIN PLATED.
- 2. PRODUCTION SPECIFICATION REFER TO FCI GS-12-625.
- 3. BOXED PACKAGING.
- DETAILED PRODUCT PACKING SPECIFICATION REFER TO FCI GS-14-1394.
- 4. FCI, SAFETY CERTIFICATE LOGO AND SERIES NAME TO BE SHOWN ON PRODUCT SURFACE.
- 5. THE PRODUCTS WHERE THE PART NUMBER END IN "LF" MEET THE EUROPEAN UNION DIRECTIVE AND OTHER COUNTRY REGULATIONS AS DESCRIBED IN GS-22-008.
- 6. RECOMMENDED SOLDERING PROCESS BY WAVE SOLDER.

mat'l. code		surface	tolerance	projection	product family
		ASME Y14.5	ASME Y14.5		TERMINAL BLOCK
ltr	ecn no	dr	date	title	
D	T10-0042	WL	030310	TERMINAL BLOCK	
E	T10-0083	WL	062210	FIXED HORIZONTAL WIRE INLET	
F	T10-0159	WL	100410		
G	T10-0187	WL	121410		
H	T-004746	WL	072011		
sheet index		revision	H H H	type	
		sheet	1 2 3	CUSTOMER Drawing	

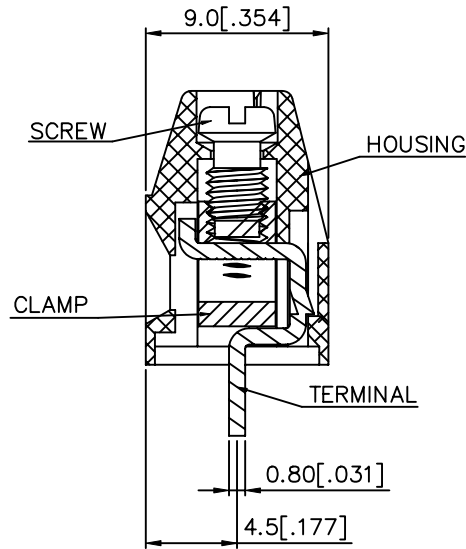
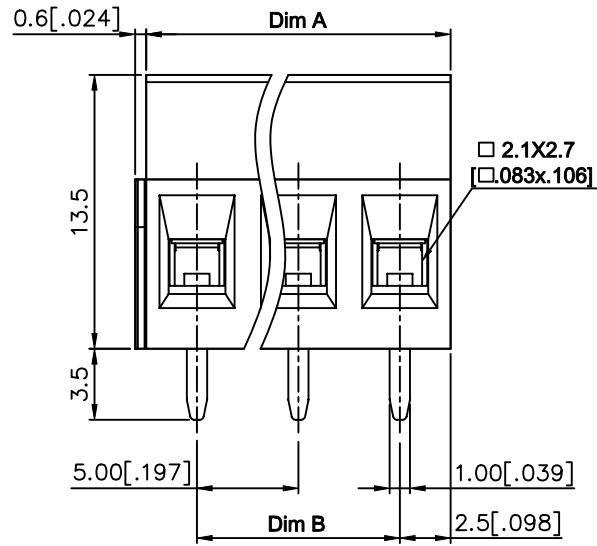
PRODUCT NUMBER	SERIES NAME	PITCH
20020316-GXXXXXXLF	21-500	5.00 mm



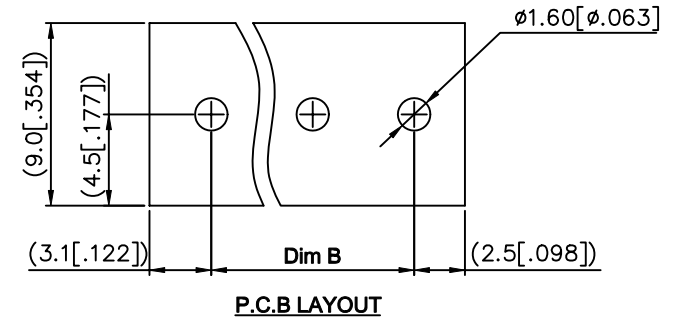
N=NUMBER OF POLES

Dim A	$N * 5.0 [.197]$
Dim B	$(N - 1) * 5.0 [.197]$

POLES	TOLERANCE
2p-6p	$\pm 0.15 [.006]$
7p-12p	$\pm 0.25 [.010]$
13p-16p	$\pm 0.35 [.014]$
17p-24p	$\pm 0.40 [.016]$



SECTION P-P

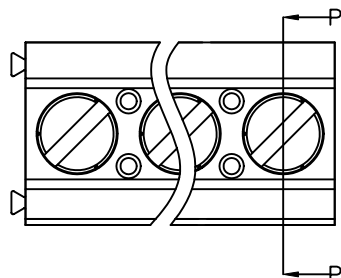


P.C.B LAYOUT

mat'l. code		surface ASME Y14.5	tolerance ASME Y14.5	projection MM INCH	product family TERMINAL BLOCK
ltr	ecn no	dr	date	title	
H				TERMINAL BLOCK FIXED HORIZONTAL WIRE INLET	
				scale	dwg no 20020316
					sheet 2 of 3 size A4
					type CUSTOMER Drawing
sheet index	revision sheet				



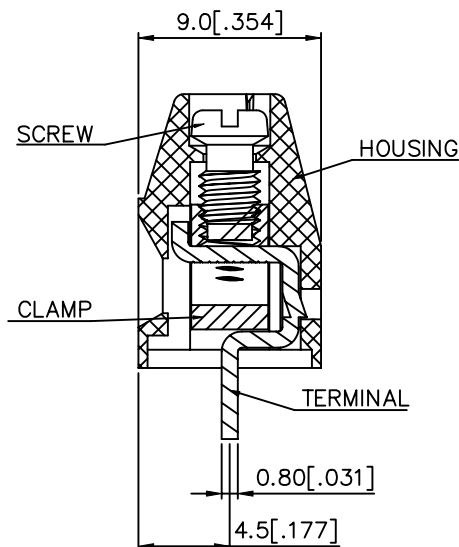
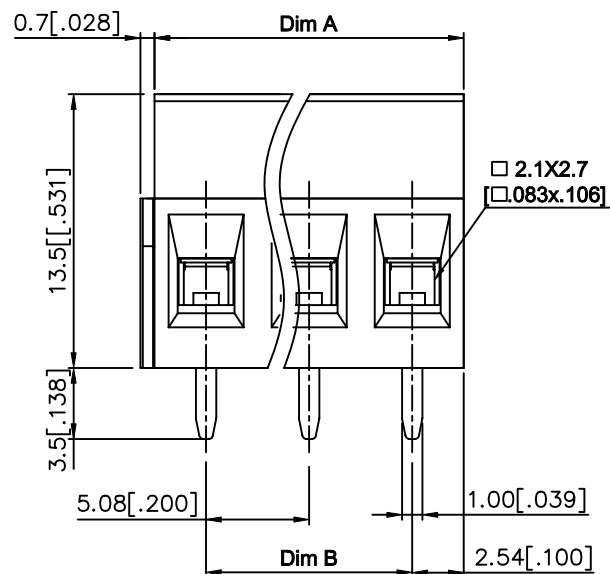
PRODUCT NUMBER	SERIES NAME	PITCH
20020316-HXXXXXXLF	21-508	5.08 mm



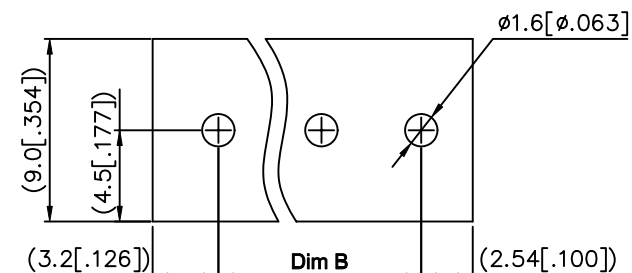
N=NUMBER OF POLES

Dim A	$N * 5.08 [.200]$
Dim B	$(N - 1) * 5.08 [.200]$

POLES	TOLERANCE
2p-6p	$\pm 0.15 [.006]$
7p-12p	$\pm 0.25 [.010]$
13p-16p	$\pm 0.35 [.014]$
17p-24p	$\pm 0.40 [.016]$



SECTION P-P



P.C.B LAYOUT

mat'l. code		surface ASME Y14.5	tolerance ASME Y14.5	projection 	product family TERMINAL BLOCK	
ltr	ecn no	dr	date	title TERMINAL BLOCK FIXED HORIZONTAL WIRE INLET		
H				MM [INCH]		
				scale		
		dr	BEER FU 062509		sheet 3 of 3	
		enr	BEER FU 062509		20020316	A4
		chr	GARY HSIEH 062509			CUSTOMER Drawing
		appd	JOSEPH HSIA 062509			
sheet index	revision sheet					

Mouser Electronics

Authorized Distributor

Click to View Pricing, Inventory, Delivery & Lifecycle Information:

Amphenol:

[20020316-G041B01LF](#) [20020316-G031A01LF](#) [20020316-G021B01LF](#) [20020316-G031B01LF](#) [20020316-G051B01LF](#) [20020316-G081B01LF](#) [20020316-G061B01LF](#) [20020316-G071B01LF](#) [20020316-H041BF1LF](#) [20020316-H064B01LF](#) [20020316-H032B01LF](#) [20020316-H051BG1LF](#) [20020316-H023B01LF](#) [20020316-G073B01LF](#) [20020316-G063B01LF](#) [20020316-H022B01LF](#) [20020316-G023B01LF](#) [20020316-H034B01LF](#) [20020316-G043B01LF](#) [20020316-G033B01LF](#) [VI1001550000G](#) [VI1101550000G](#) [VI1201550000G](#) [VI1301550000G](#) [VI1401550000G](#) [VI1501550000G](#) [VI1601550000G](#) [VI1701550000G](#) [VI1801550000G](#) [VI1901550000G](#) [VI2001550000G](#) [VI2101550000G](#) [VI2201550000G](#) [VI2301550000G](#) [VI2401550000G](#) [VI0901550000G](#)

FCI / Amphenol:

[20020316-H021B01LF](#) [20020316-H031B01LF](#) [20020316-H041B01LF](#) [20020316-H101B01LF](#) [20020316-H051B01LF](#) [20020316-H151B01LF](#) [20020316-G181B01LF](#) [20020316-G151B01LF](#) [20020316-G111B01LF](#) [20020316-H181B01LF](#) [20020316-G211B01LF](#) [20020316-G191B01LF](#) [20020316-H161B01LF](#) [20020316-G091B01LF](#) [20020316-H091B01LF](#) [20020316-H061B01LF](#) [20020316-H221B01LF](#) [20020316-G121B01LF](#) [20020316-H201B01LF](#) [20020316-G231B01LF](#) [20020316-G101B01LF](#) [20020316-G141B01LF](#) [20020316-H241B01LF](#) [20020316-G171B01LF](#) [20020316-H141B01LF](#) [20020316-G131B01LF](#) [20020316-H111B01LF](#) [20020316-H211B01LF](#) [20020316-G221B01LF](#) [20020316-H231B01LF](#) [20020316-G161B01LF](#) [20020316-H131B01LF](#) [20020316-G241B01LF](#) [20020316-H171B01LF](#) [20020316-H081B01LF](#) [20020316-H191B01LF](#) [20020316-H121B01LF](#) [20020316-H071B01LF](#) [20020316-G201B01LF](#) [20020316-G032B01LF](#)